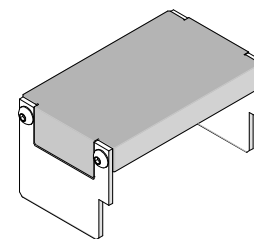




**10GBE  
2-by-4 Magnetic Jack  
Insertion Tool**

**Application Tooling  
Specification Sheet**



**Order No. 62202-4410**

**FEATURES**

- Lightweight tool used in the insertion of an ICM connector in a PCB
- Inserts connector to a PCB without damage to the board
- Use tool 62202-9860 for removing connectors

**SCOPE**

Products: 10GBE 2 by 4 Magnetic Jack assemblies with Press-fit Tails, Series 170720.

Connector Series No	Connector Order no.				
170720 (10GBE)	170720-0001	170720-0002	170720-0003	170720-0004	170720-0005
	170720-0006	170720-0007	170720-0008	170720-0009	170720-0012
	170720-0013	170720-0014	170720-0015		

**Notes:**

1. See the following pages for tooling operation instructions.
2. These tools require a "Keep Out Zone" around the connector free of components. The rear of the connector should be 2.0mm (0.08 in). The right and left sides should be 2.0mm (0.08 in). See Figure 1.

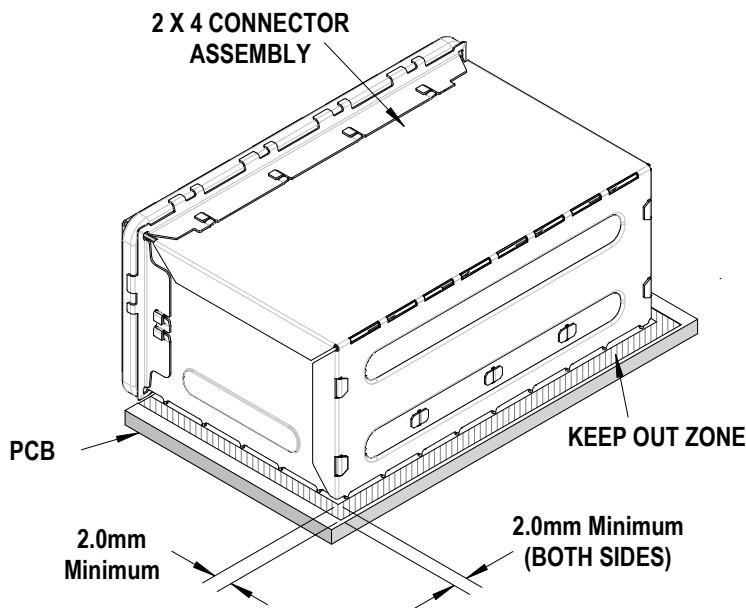


Figure 1

## Description

The following Instructions are used for inserting 2 by 4 connectors into a PCB.

## Operation

### Option 1

1. Place the connector assembly on the PCB. Make sure all pins are started in the PCB holes.
2. Place the tool on the connector assembly (closed end to the back end of the connector). See Figure 2.
3. Place tool, connector, and PCB in a press of suitable size and force and seat the connector assembly. The assembly is seated when the bottom of the side plates contacts the PCB. The PCB support (furnished by the customer) must have clearance for the connector pins if they come through the PCB.

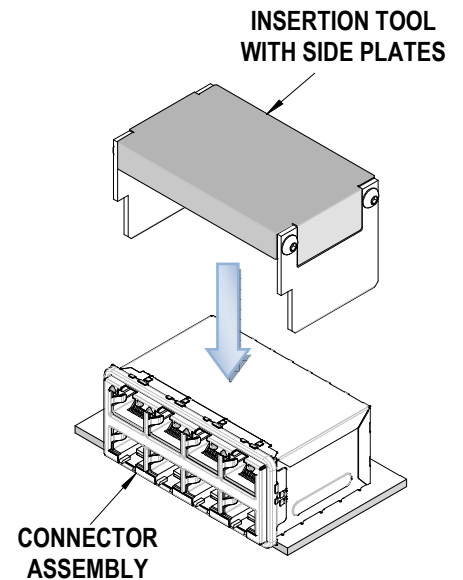


Figure 2

### Option 2

1. Place the connector assembly on the PCB. Make sure all pins are started in the PCB holes.
2. Place the tool on the connector assembly (closed end to the back end of the connector). See Figure 2.
3. Place tool, connector, and PCB in a press of suitable size and force and seat the connector assembly. The assembly is seated when the press has a set shut height. The PCB support (furnished by the customer) must have clearance for the connector pins if they come through the PCB.

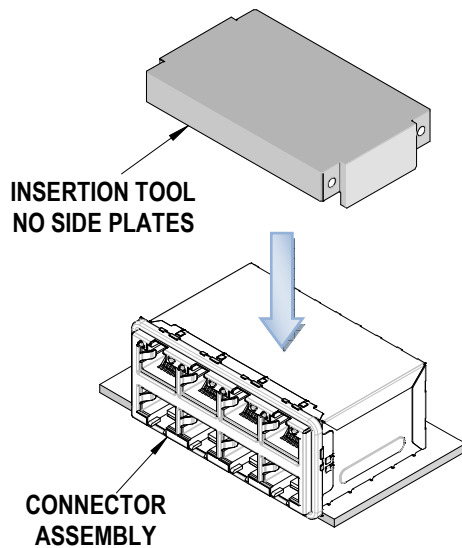
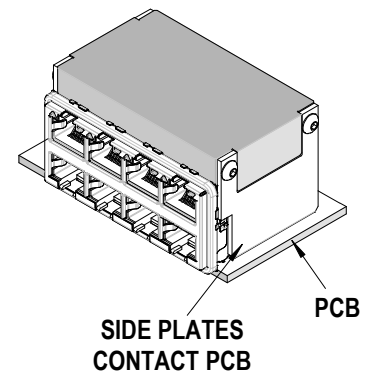
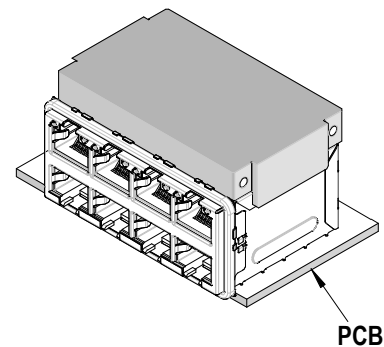


Figure 3

**INSERTION TOOL  
OVER CONNECTOR ASSEMBLY**



<http://www.molex.com>