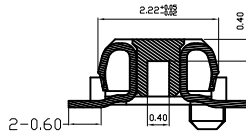
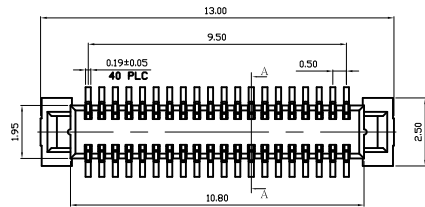
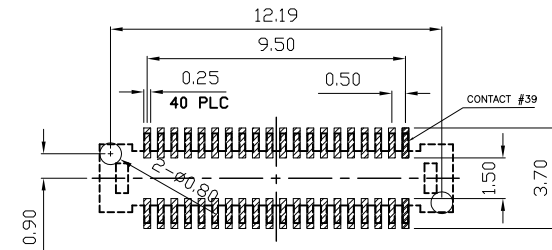
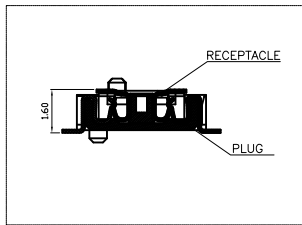
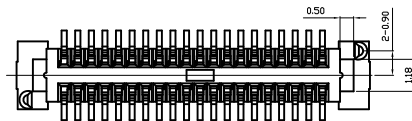
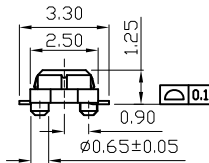
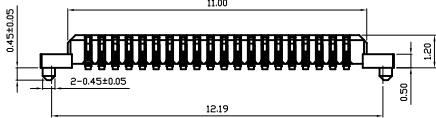


REV.	DESCRIPTION	DATE
A	New Drawing	2013/02/26

Compliance with:
 PCIe4.0(GT/S),
 USB3.2 Gen2(10Gbps),
 USB3.2 Gen2 Type C(10Gbps)
 Mating with:
 "BAAF-040G1145NDLI-B"



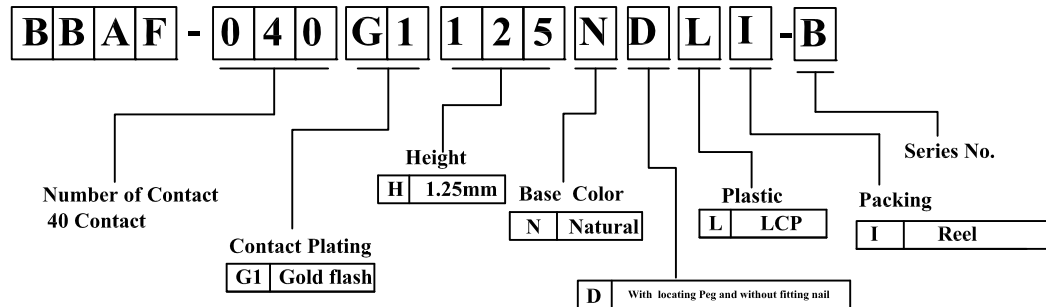
剖面 A-A 2:1



▨ : STAND OFF AREA

P.C.B LAYOUT

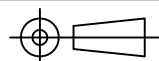
RoHS compliant



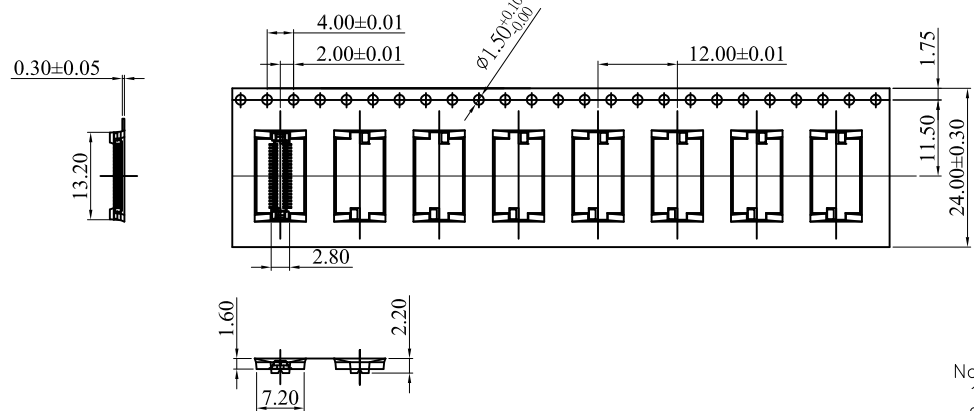
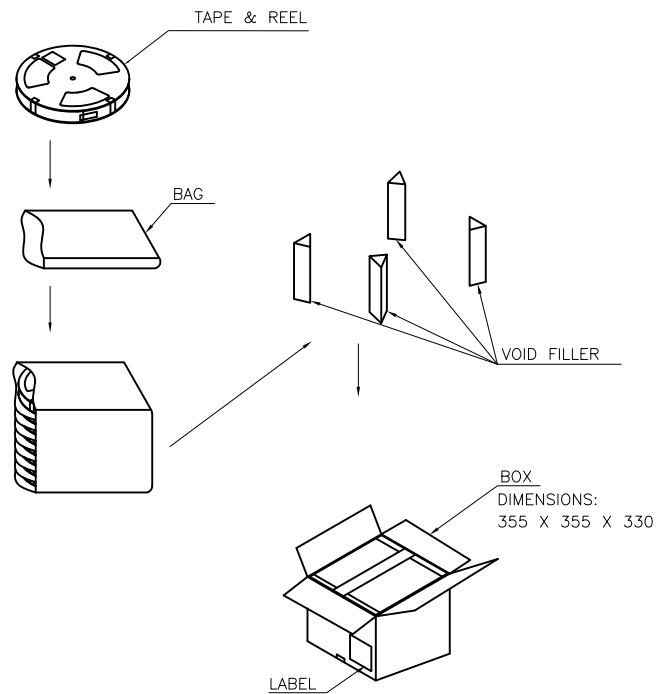
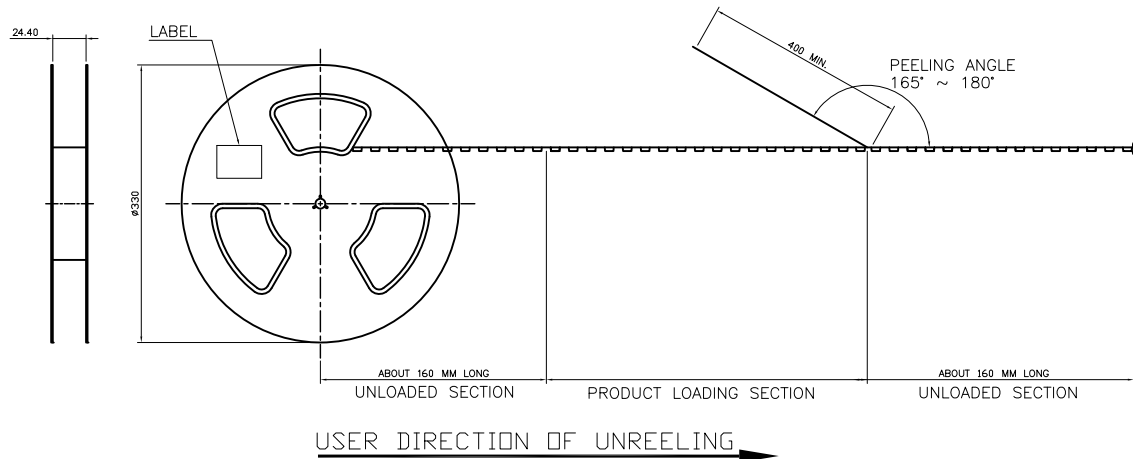
Superior Tech Co., Ltd.

General Tolerance	TITLE	PH0.5 BTOB H1.25 40PIN Male	
X. ± 0.5	DRAWN	DATE	NO.
.X ± 0.3	Tom	02-26-13'	002
.XX ± 0.2	CHECK	DATE	PART NO.
.XXX ± 0.1	APPROVED	DATE	BBAF-040G1125NDLI-B
Angle ± 5°			CUSTOMER NO. DK

REV.	UNIT	SCALE
A	mm	



REV.	DESCRIPTION	DATE
A	New Drawing	2014/06/04



Note:
 1.All dimensions meet EIA-481-C requirements.
 2.Thickness : 0.3±0.05mm

PIN No.	PCS/R	R/CTN
40PIN	2200 PCS	11 R

RoHS compliant

Superior Tech Co., Ltd.

General Tolerance		TITLE	BBAF-040G1125NDLI-B_Packing	
X. ± 0.5	DRAWN	Tom	DATE	NO.
.X ± 0.3			2014/06/04	002
.XX ± 0.2	CHECK	APPROVED	DATE	PART NO.
.XXX ± 0.1			DATE	BBAF-040G1125NDLI-B
REV. A	UNIT mm	SCALE 1:1	CUSTOMER NO. DK	

(Q2-R03-01A) ST-R05-07