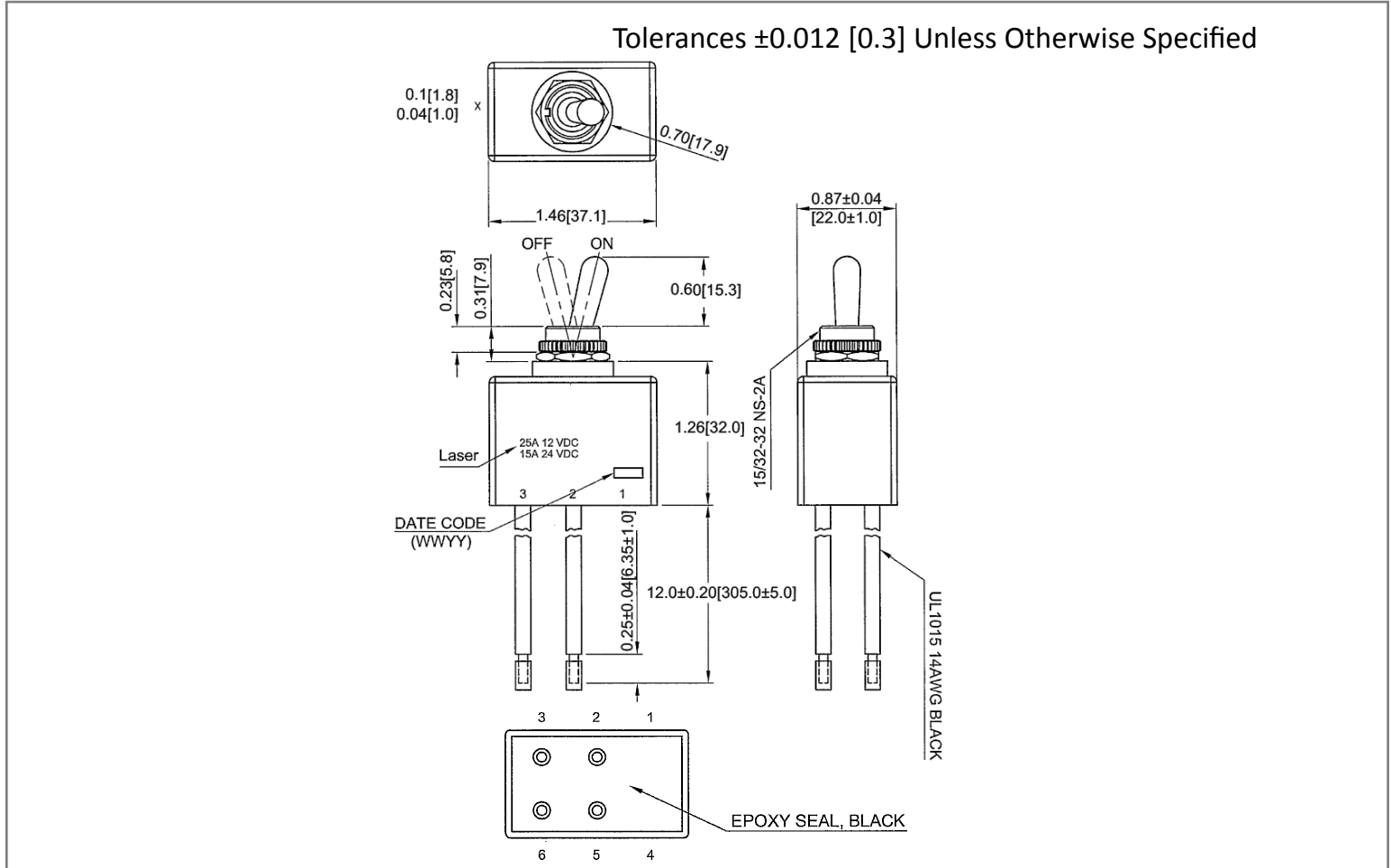
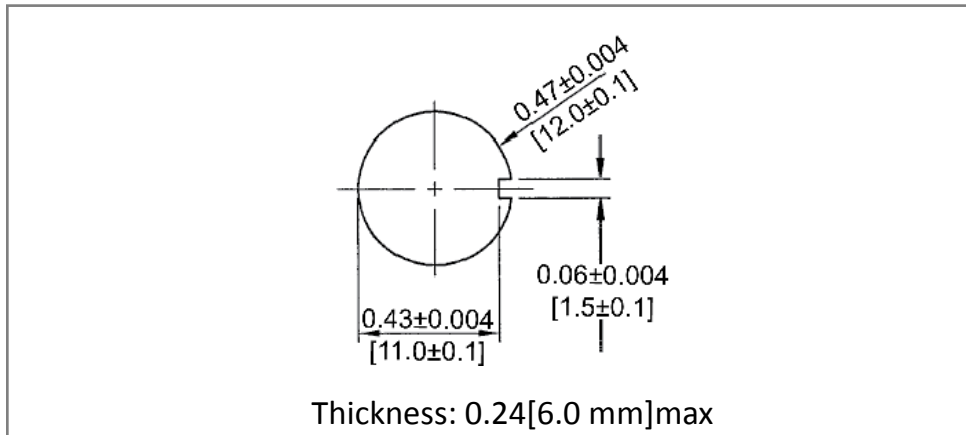


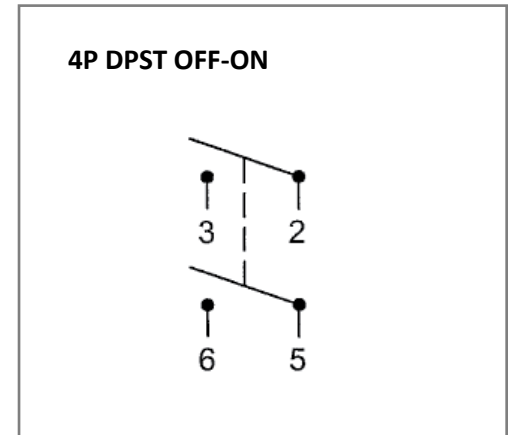
Mechanical Dimensions: Inches [mm]



Mounting Hole



Circuit Diagram



Electrical Specifications

Rating	25A 12V DC, 15A 24V DC
Contact Resistance	50m ohm Max
Insulation Resistance	DC 500V 100M ohm Min
Dielectric Strength	AC 1500V 1 minute
Operation Temperature	-40°~85°

Material Specifications

Frame	Black, PBT+15%GF
Contacts	Cooper Alloy+AgSnO ₂ InO ₃
Toggle Brushing	Brass, nickel plated
Hex nut Knurl nut	Brass, nickel plated
Waterproof	IP67

Rev	Date of issue	Revision Notes	Designed	Approved
B	03-11-2020	Initial Drawing	RC	OF