



MEAS MS5637 SENSOR FOR GROVE SYSTEM

Digital Pressure Sensor

The MS5637 provides the necessary hardware to interface the MS5637 digital barometric pressure and temperature sensor to any system that utilizes Grove compatible expansion ports configurable for I²C communication. The MS5637 sensor is a self-contained pressure and temperature sensor that is fully calibrated during manufacture. The sensor model works in 5V voltage external. The sensor module includes a high-linearity pressure sensor and an ultra-low power 24 bits $\Delta\Sigma$ ADC with internal factory-calibrated coefficients

Performance

- 300 to 1200mbar pressure range
- -40°C to 85°C temperature range
- Very low power consumption
- Operates 5V
- Altitude resolution at sea level is 20 cm of air
- Fast conversion time – 0.5ms typical

Specifications

- Measures pressure from 300mbar to 1200mbar
- Measures temperature from -40°C to 125°C
- I²C communication
- Fully calibrated
- Fast response time
- Very low power consumption

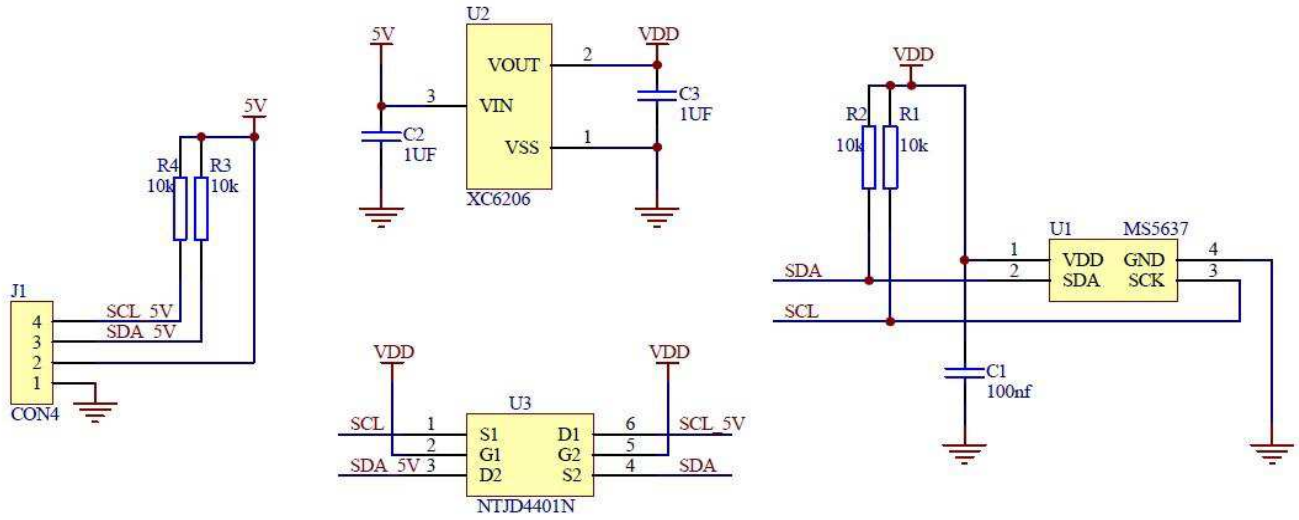
Features

- 4-pin Grove compatible connector
- I²C interface
- Parameters stored on chip

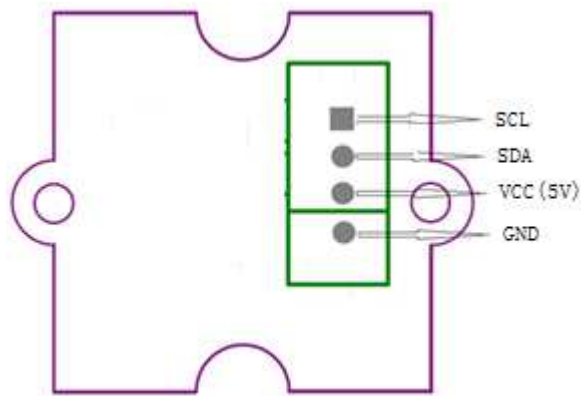
MEAS MS5637 FOR GROVE SYSTEM

Digital Pressure Sensor

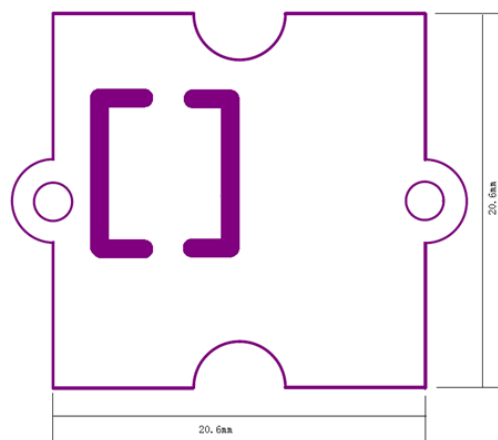
Schematic



Connector Pin Assignments (I²C Communications)



Dimensions (mm)



MEAS MS5637 FOR GROVE SYSTEM

Digital Pressure Sensor

Detailed Description

I²C Interface:

The MS5637 Grove compliant module can interface to the host in I²C model with 5V supply, it has a Grove compatible four pins port connector configured for I²C.

External Control Signals 5V supply:

The IC operates as an I²C slave using the standard 2-wire I²C connection scheme. As IC is power rated at 3.6V, the board integrates necessary fixture such as a regulator and electrical level shift so that the SCL and SDA signals could be driven directly from an external 5V I²C lines and power supply.

Reference Material

Detailed information regarding operation of the IC:

- [MS5637 Datasheet](#)

Ordering Information

Description	Part Number
MS5637 GROVE BOARD	DPP101G000

te.com/sensorsolutions

MEAS, TE Connectivity and TE connectivity (logo) are trademarks. All other logos, products and/or company names referred to herein might be trademarks of their respective owners.

The information given herein, including drawings, illustrations and schematics which are intended for illustration purposes only, is believed to be reliable. However, TE Connectivity makes no warranties as to its accuracy or completeness and disclaims any liability in connection with its use. TE Connectivity's obligations shall only be as set forth in TE Connectivity's Standard Terms and Conditions of Sale for this product and in no case will TE Connectivity be liable for any incidental, indirect or consequential damages arising out of the sale, resale, use or misuse of the product. Users of TE Connectivity products should make their own evaluation to determine the suitability of each such product for the specific application.

© 2016 TE Connectivity Ltd. family of companies All Rights Reserved.

PRODUCT SHEET

MEAS France SAS,
a TE Connectivity company.
Impasse Jeanne Benozzi CS 83 163
31027 Toulouse Cedex 3, FRANCE
Tel: +33 (0) 5 820 822 02
Fax: +33 (0) 5 820 821 51
customercare.tlse@te.com