

# Serial RAM™

Manual

*All Mikroelektronika's development systems feature a large number of peripheral modules expanding microcontroller's range of application and making the process of program testing easier. In addition to these modules, it is also possible to use numerous additional modules linked to the development system through the I/O port connectors. Some of these additional modules can operate as stand-alone devices without being connected to the microcontroller.*

Additional board

 **MikroElektronika**

SOFTWARE AND HARDWARE SOLUTIONS FOR EMBEDDED WORLD ...making it simple

## Serial RAM

The Serial RAM additional board enables the microcontroller to use additional 64Kbit of RAM memory.

### Key features:

- Serial SPI communication;
- 64Kbit of RAM;
- 3.3V or 5V power supply voltage.

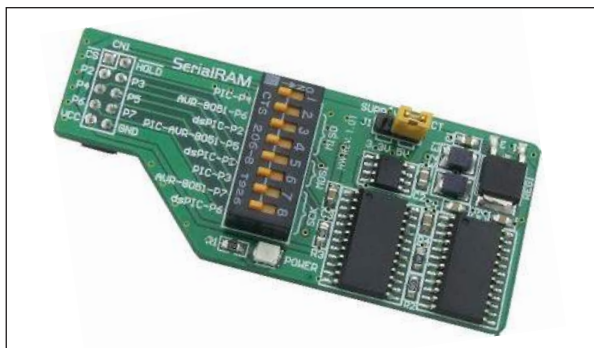


Figure 1: Serial RAM additional board

### How to connect the board?

The Serial RAM can be easily connected to a development system's port via a 2x5 connector CN1. The additional board may be connected to 3.3V and 5V development systems. If it is connected to a 3.3V development system, it is necessary to place jumper J1 in the 3.3V position. Otherwise, this jumper should be left in the 5V position. The position of switches on the DIP switch SW1 depends on the development system in use, Table 1.

	MISO	MOSI	SCK
PIC	1 (P4)	4 (P5)	6 (P3)
dsPIC	3 (P2)	5 (P3)	8 (P6)
AVR-8051	2 (P6)	4 (P5)	7 (P7)
	Position of switches on DIP switch SW1 for appropriate development system		

Table 1

### How to use the board?

The Serial RAM additional board communicates with the microcontroller supplied on the development system via the Serial Peripheral Interface (SPI). A LED marked POWER indicates that the additional board is turned on.

Here you can find examples for the Serial RAM additional board:  
<http://www.mikroe.com/eng/products/view/365/serialram-board/>

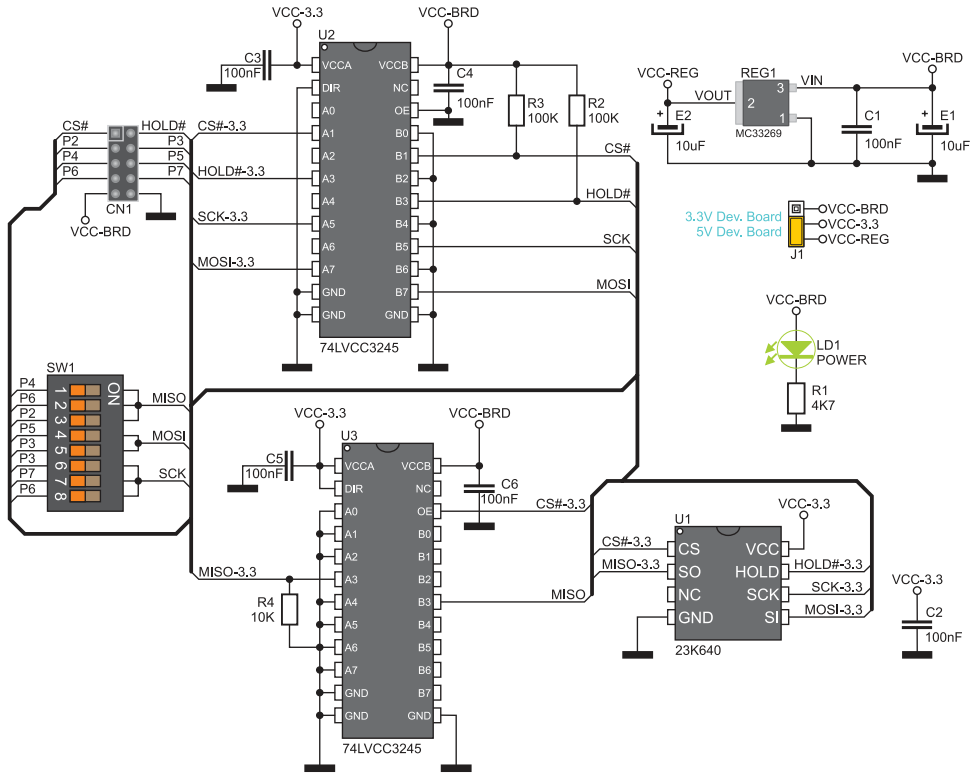


Figure 2: Serial RAM additional board connection schematic

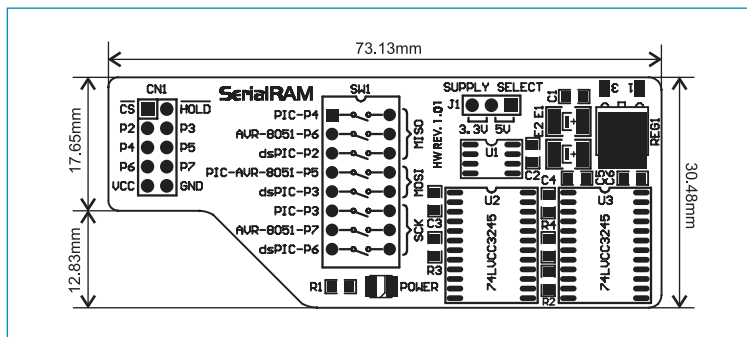


Figure 3: Dimensions of the Serial RAM additional board



**MikroElektronika**

SOFTWARE AND HARDWARE SOLUTIONS FOR EMBEDDED WORLD ...making it simple

If you want to learn more about our products, please visit our website at [www.mikroe.com](http://www.mikroe.com)

If you are experiencing some problems with any of our products or just need additional information, please place your ticket at [www.mikroe.com/en/support](http://www.mikroe.com/en/support)

If you have any questions, comments or business proposals, do not hesitate to contact us at [office@mikroe.com](mailto:office@mikroe.com)