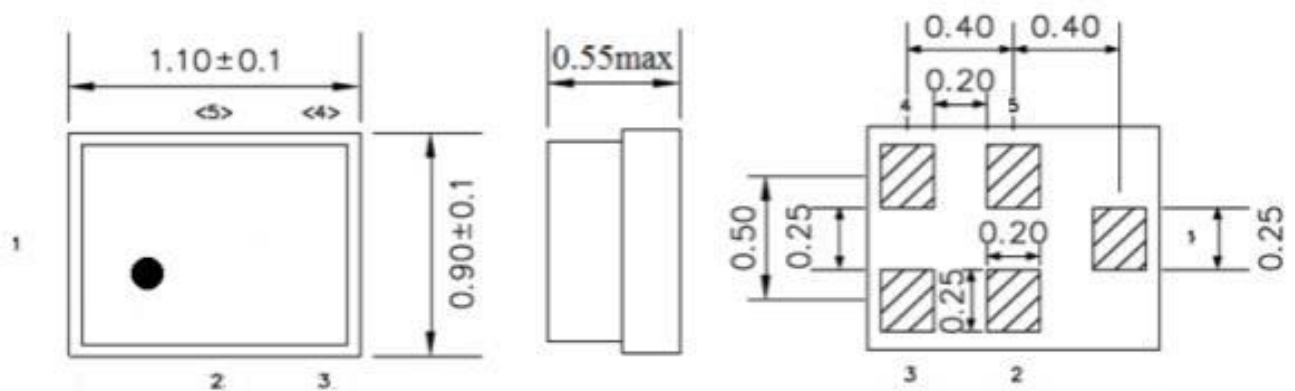


Electrical Specification

Parameters		Value	Unit
Center Frequency		737.500	MHz
Insertion Loss, typ/max	729 ~ 746 MHz	1.8 / 2.8	dB
	746 ~ 756 MHz	2.0 / 2.8	dB
	734 ~ 746 MHz	1.5 / 2.0	dB
Amplitude Ripple, typ/max	729 ~ 746 MHz	0.6 / 1.8	dB
	746 ~ 756 MHz	1.0 / 1.8	dB
VSWR, typ/max	Input	729 ~ 746 MHz	0.5 / 1.8
	Output	746 ~ 756 MHz	1.0 / 1.8
Absolute Attenuation, min/typ	10 ~ 699 MHz	-40 / -55	dB
	699 ~ 716 MHz	-46 / -60	dB
	704 ~ 716 MHz	-46 / -60	dB
	777 ~ 787 MHz	-43 / -47	dB
	1710 ~ 1785 MHz	-40 / -60	dB
	1850 ~ 1910 MHz	-40 / -58	dB
	2400 ~ 2500 MHz	-35 / -53	dB
	4900 ~ 5950 MHz	-25 / -55	dB
Input Power, max, CW 5000h, 50°C		15	dBm
DC Voltage		5	V
ESD voltage Sensitive discharge device	ESD(MM)	50	VDC
	ESD(HBM)	175	VDC
Operating Temperature Range		-30 to +85	°C
Storage Temperature Range		-40 to +85	°C

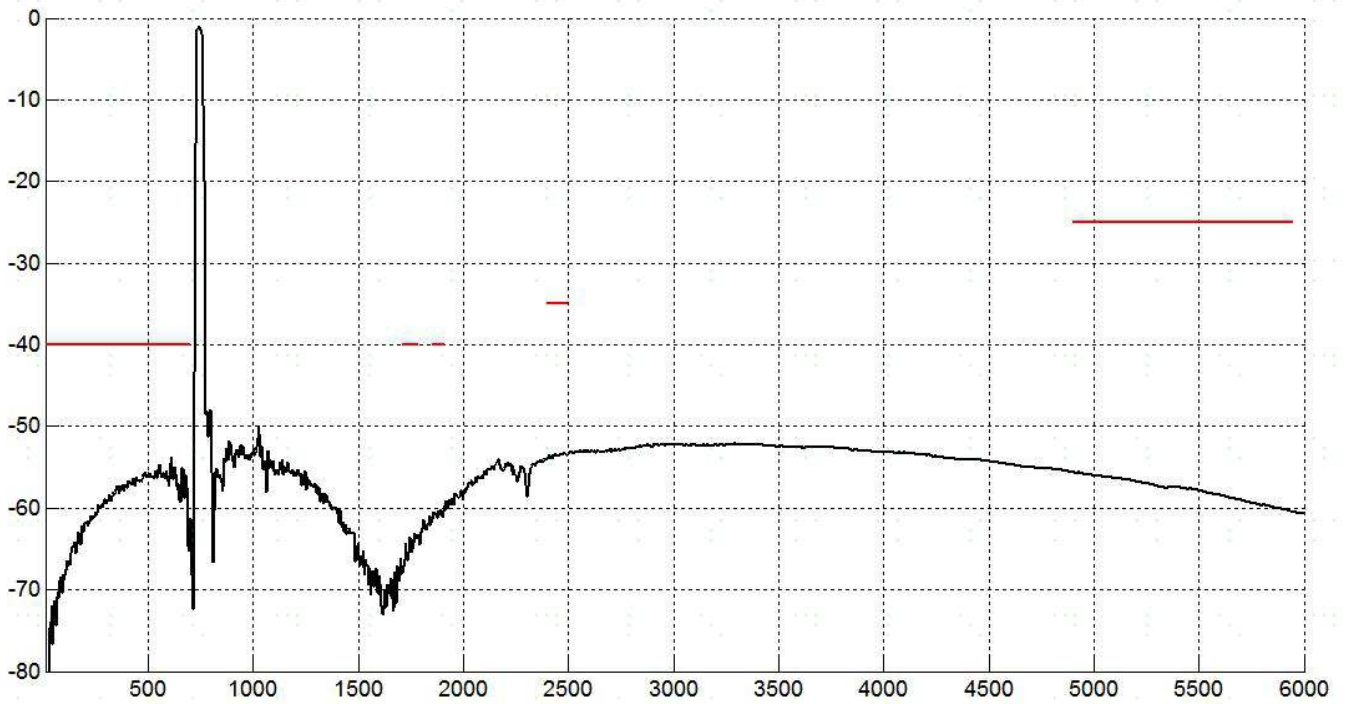
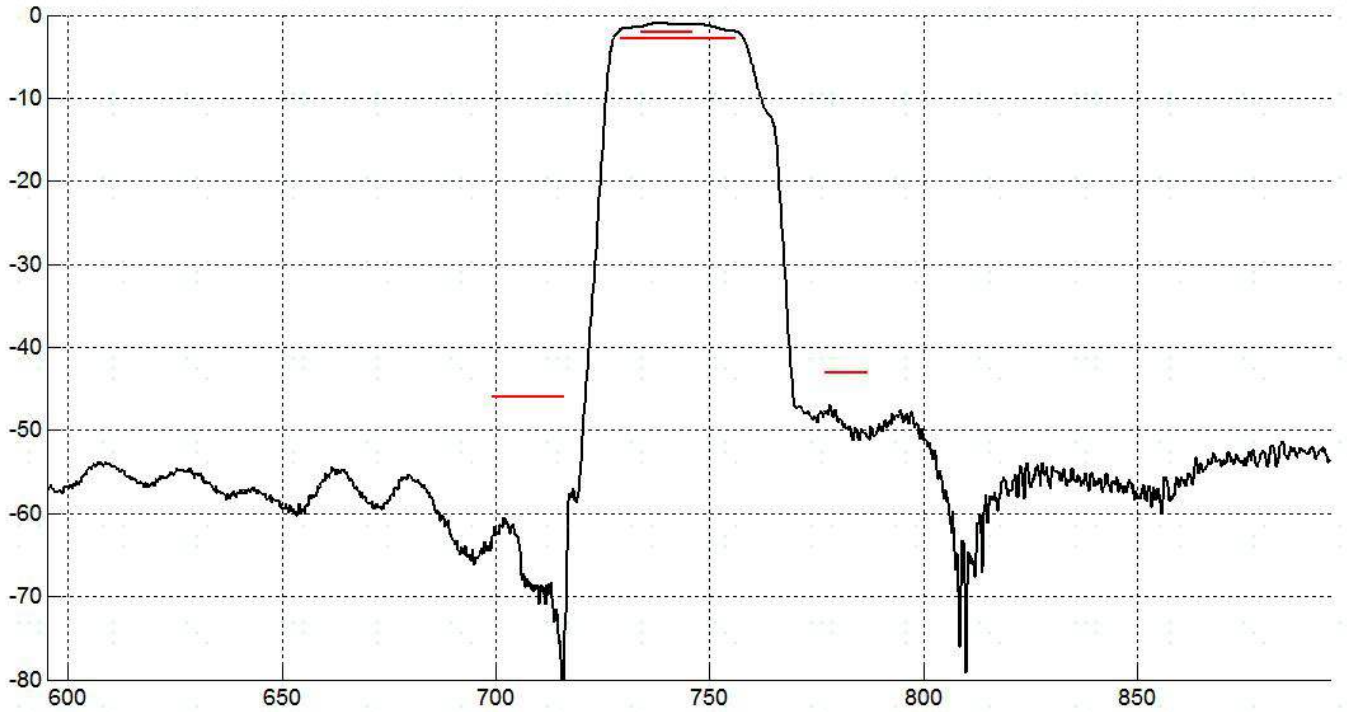
Dimension



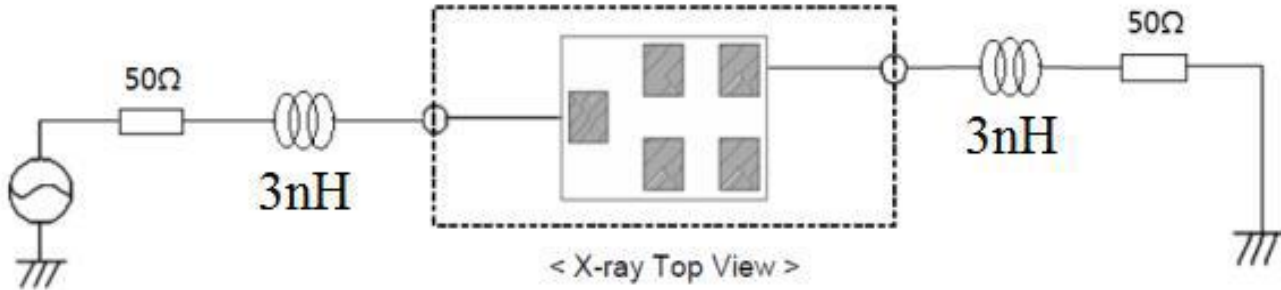
Unit: mm

PIN #	PIN NAME	DESCRIPTION
1	IN	Input
4	OUT	Output
2,3,5	GND	Ground

Frequency Characteristics



Environmental

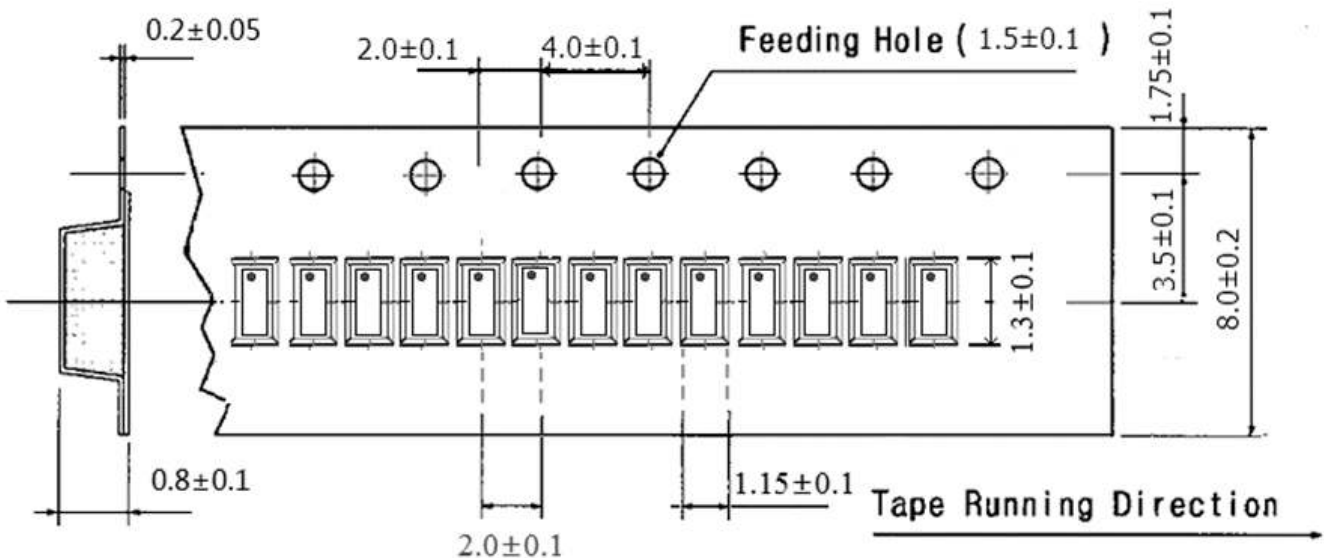


Environmental

PARAMETER	VALUE
MOISTURE SENSITIVITY LEVEL	2
REACH – SVHC	Compliant
RoHS	Compliant
PACKAGING	TAPE & REEL



Tape Dimension



APPROVAL

DRAWN BY	ZZ, August 12, 2021
APPROVED BY	AR, August 12, 2021
REVISION	A, Initial Release

Raltron Electronics / RAMI Technology USA, LLC, including its affiliates, employees, agents and other persons acting on its behalf (collectively Raltron/RAMI Tech), disclaim any and all liability for any errors or inaccuracies contained in this data sheet. While Raltron/RAMI Tech has made every reasonable effort to ensure the accuracy of all product information, specifications and data contained herein, Raltron/RAMI Tech does not guarantee that the information is accurate, reliable or current. The product information is provided only for reference purposes only and is subject to change, correction or revision, at any time without notice. Raltron/RAMI Tech does not assume any liability arising out of an application or use of any product described herein and disclaims any warranties expressed or implied. The user of products in such applications shall assume all risks of such use and will agree to hold Raltron/RAMI Tech harmless against all damages.

Copyright © 2016, Raltron Electronics / RAMI Technology USA, LLC. All rights reserved. No part of this document may be reproduced in any form without the prior written permission of Raltron Electronics / RAMI Technology USA, LLC.



A **RAMI TECHNOLOGY** Company

RF SAW FILTER
RSF-737.500-17000-1109-TR-NS2

page 4 of 4