

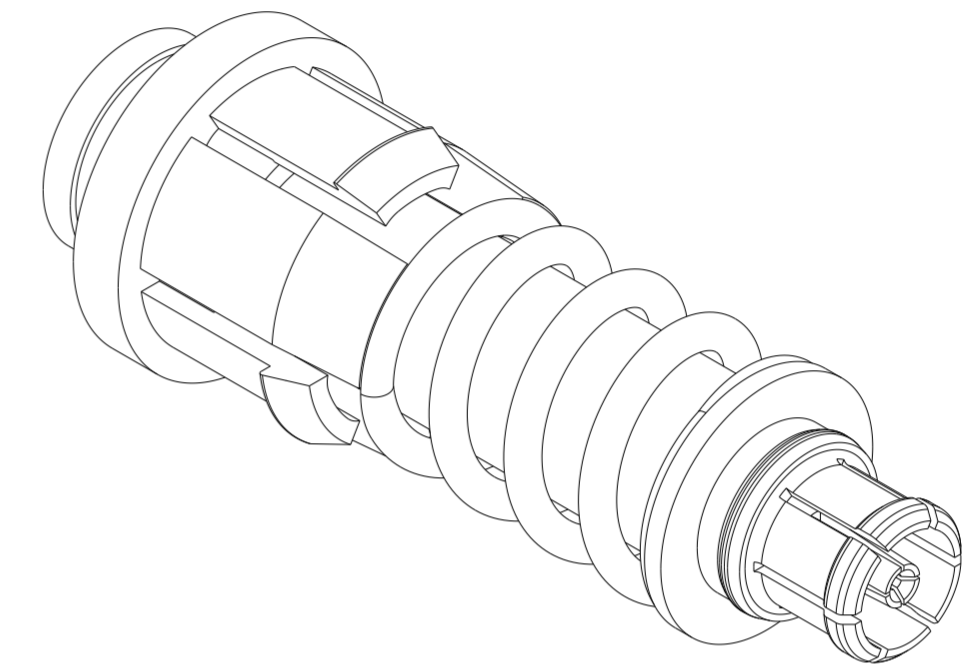
THIS DRAWING IS UNPUBLISHED. RELEASED FOR PUBLICATION
 © COPYRIGHT copyright dbte- ALL RIGHTS RESERVED.

REVISIONS				
P	LTR	DESCRIPTION	DATE	APVD
A		INITIAL RELEASE	10AUG2021	KM CG

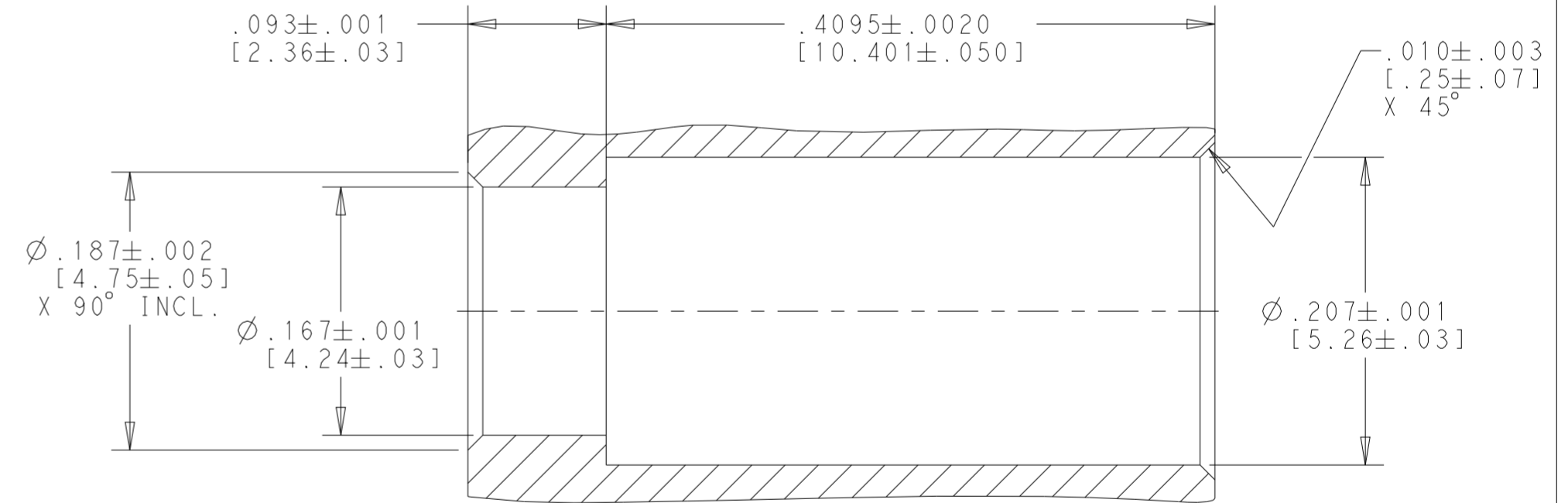
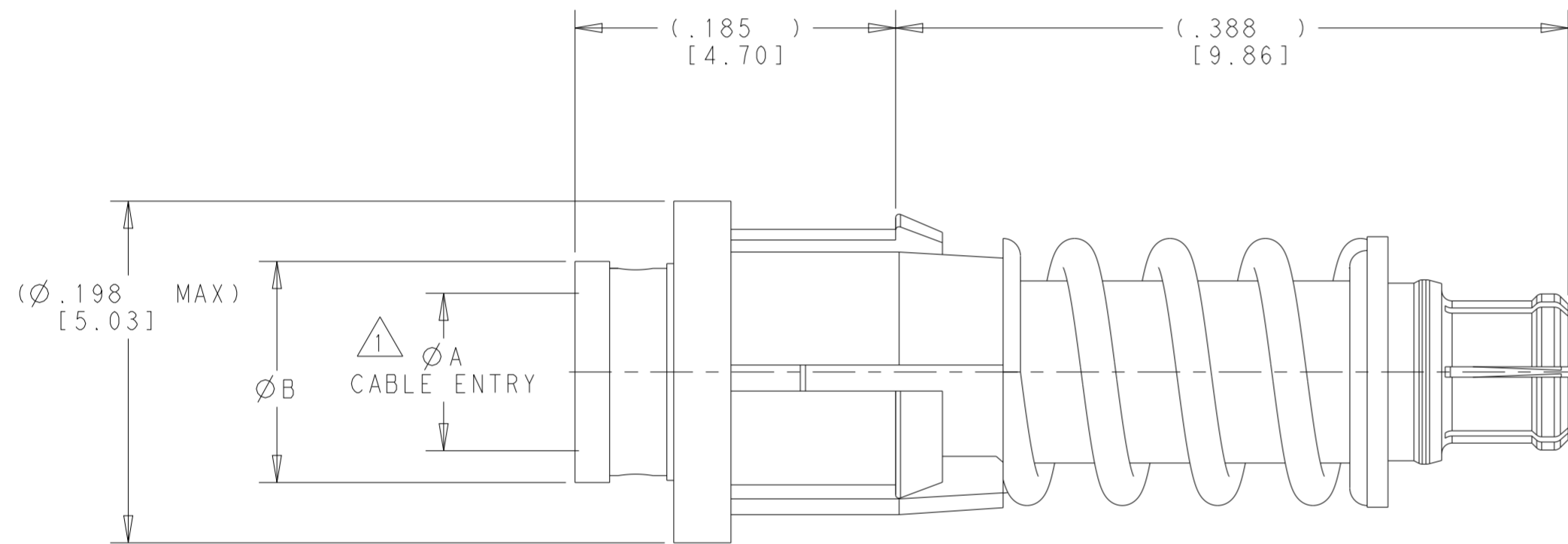
COMPONENT	MATERIAL	FINISH
HOUSING CENTER CONTACT	BERYLLIUM COPPER PER ASTM B196, TD04 TH04 FOR SPRING MEMBERS	GOLD PLATE PER ASTM B488 OVER NICKEL PLATE PER SAE-AMS-QQ-N-290
RETAINING SLEEVE	BERYLLIUM COPPER PER ASTM B196, TH04	NICKEL PLATE PER SAE-AMS-QQ-N-290
DIELECTRIC	PTFE PER ASTM D1457	N/A
SPRING	MUSIC WIRE PER ASTM A228	NICKEL PLATE PER SAE-AMS-QQ-N-290

⚠ SOLDER CABLE OUTER CONDUCTOR OR BRAID TO THE HOUSING.

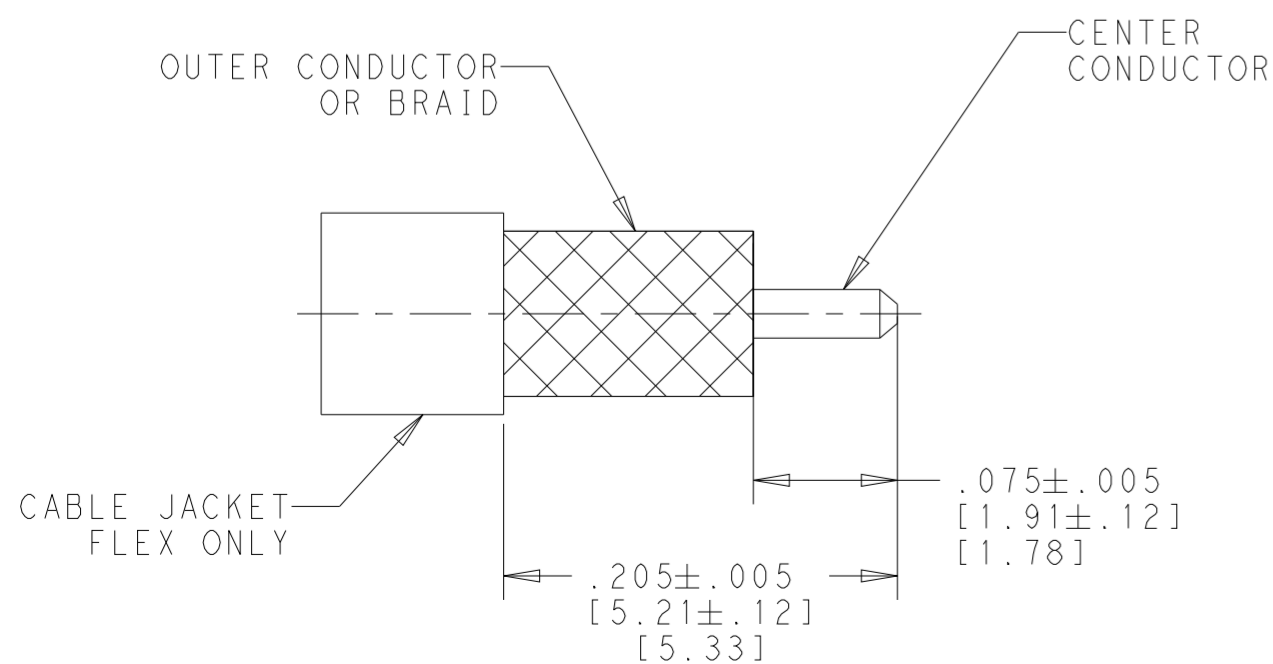
2. SPRING FORCE:
 PRELOAD = 2.52±.25 LBF
 FORCE AT .052 DEFLECTION = 3.77±.35 LBF
 FULL DEFLECTION = .078 [2.0].



SCALE 10:1



RECOMMENDED MOUNTING HOLE



CABLE PREPARATION AND ASSEMBLY

(Ø.090[2.29])	(Ø.052[1.32])	(Ø.047)	2332676-2
(Ø.128[3.24])	(Ø.091[2.31])	(Ø.086)	2332676-1
DIM B	DIM A	NOMINAL CABLE DIAMETER	PART NUMBER

DIMENSIONS:		TOLERANCES UNLESS OTHERWISE SPECIFIED:		APVD		NAME	
INCHES [mm]		0 PLC ±.1 1 PLC ±.1 2 PLC ±.02 3 PLC ±.005 4 PLC ±.0005		K MILLER C GINGRICH		SMPM, CABLE JACK, VITA 67.3 TYPE A FLOATING, BACKPLANE	
MATERIAL		FINISH		PRODUCT SPEC		RESTRICTED TO	
-		-		108-163026		-	
-		-		APPLICATION SPEC		-	
-		-		114-32004		-	
-		-		WEIGHT		-	
-		-		CUSTOMER DRAWING		-	
-		-		SCALE 12:1		SHEET 1 OF 1	
-		-		REV A		-	

