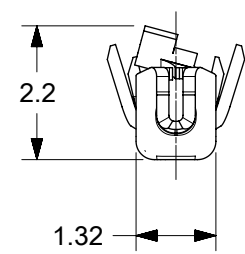
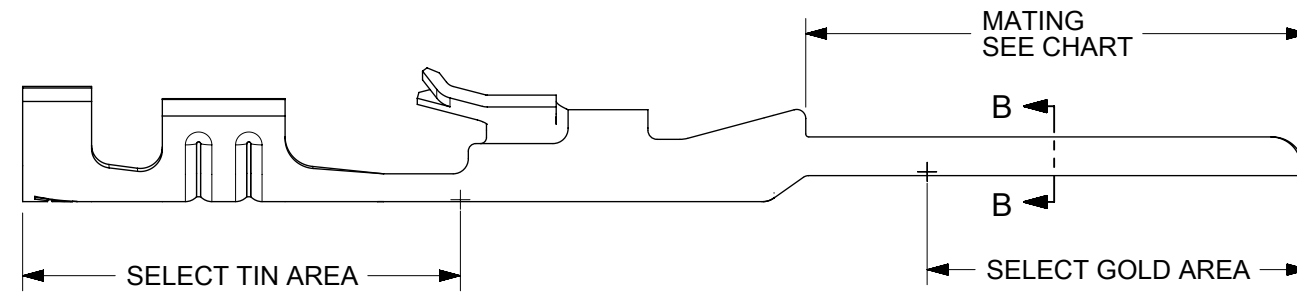
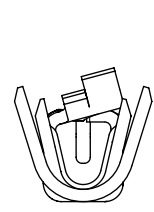


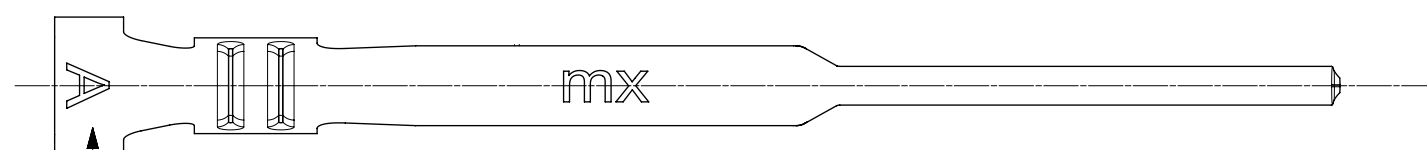
NOTES:

1. MATERIAL: 0.20 THICK PHOS BRONZE
2. FINISH:
 OVERALL TIN: 3.8 MICROMETERS MIN OVER NICKEL
 207 = SELECT GOLD IN AREA SHOWN: 0.38 MICROMETERS MIN
 SELECT TIN IN AREA SHOWN: 2.0 MICROMETERS MIN BOTH OVER NICKEL
 206 = SELECT GOLD IN AREA SHOWN: 0.75 MICROMETERS MIN
 SELECT TIN IN AREA SHOWN: 2.0 MICROMETERS MIN BOTH OVER NICKEL
3. PRODUCT SPECIFICATION: PS-70021
4. TERMINALS FOR USE WITH HOUSING SERIES: 70066 AND 70107

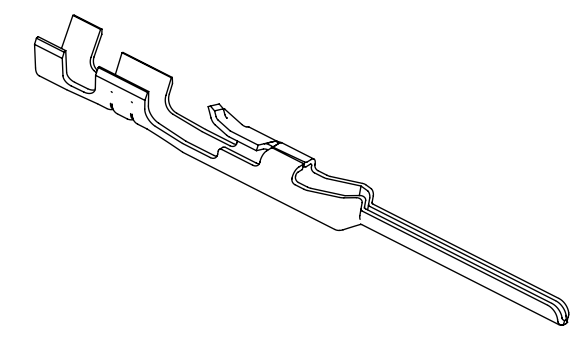


PLATING NOT REQUIRED ON INSIDE AREA

SECTION B-B
BACKGROUND OMITTED



WIRE SIZE IDENTIFICATION LETTER IS STAMPED INTO PART IN THIS AREA:
 A = 24-30 AWG WIRE WITH 1.52 MAX INSULATION DIA
 B = 32-36 AWG WIRE WITH 0.64 MAX INSULATION DIA
 C = 22-24 AWG WIRE WITH 1.63 MAX INSULATION DIA
 SEE CHART



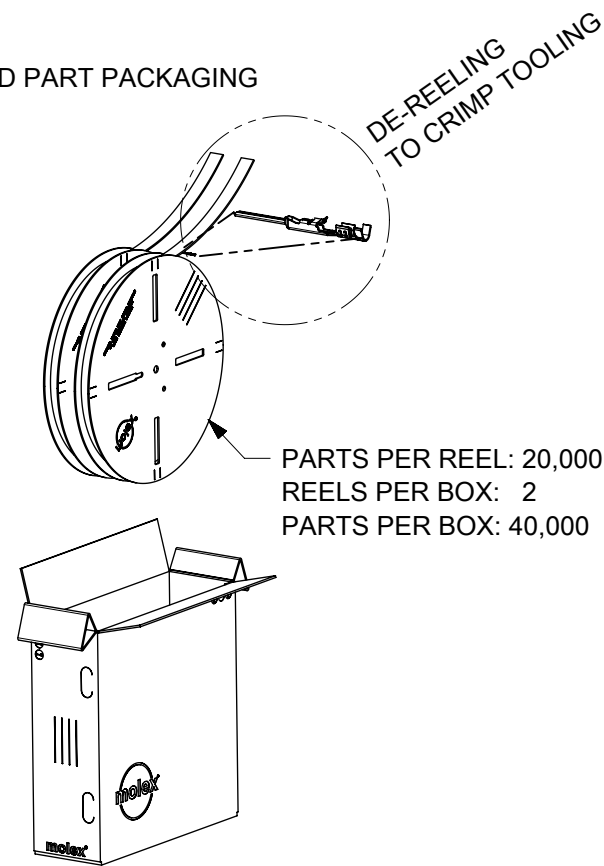
SYMBOLS ▽ = 0 ▽ = 0 ▽ = 0 ▽ = 0 ▽ = 0 ▽ = 0 ▽ = 0 ▽ = 0 ▽ = 0 ▽ = 0 ▽ = 0	THIS DRAWING CONTAINS INFORMATION THAT IS PROPRIETARY TO MOLEX ELECTRONIC TECHNOLOGIES, LLC AND SHOULD NOT BE USED WITHOUT WRITTEN PERMISSION		CURRENT REV DESC: ADD PK SPEC		molex SL MALE CRIMP TERMINAL			
	DIMENSION UNITS	SCALE	EC NO: 615128					DOCUMENT NUMBER
	mm	5:1	DRWN: GJEEVANSURES 2018/12/05		700210000-SD	PSD	000	A5
	GENERAL TOLERANCES (UNLESS SPECIFIED)		CHK'D: SCS02 2019/04/05		PRODUCT CUSTOMER DRAWING			
	ANGULAR TOL ± °		APPR: ISHWARG 2019/04/05		MATERIAL NUMBER			
	4 PLACES ±		INITIAL REVISION:		CUSTOMER			
	3 PLACES ±		DRWN: KSAMIEC 2017/09/01		SERIES			
	2 PLACES ± 0.25		APPR: FSMITH 2017/09/12		70021			
	1 PLACE ± 0.35		THIRD ANGLE PROJECTION		DRAWING			
	0 PLACES ± 0.0		DRAFT WHERE APPLICABLE MUST REMAIN WITHIN DIMENSIONS		B-SIZE			

TERMINAL STAMPED WITH LETTER "A" FOR USE WITH 24-30 AWG WIRE								
MATERIAL NO	ENGINEERING NO	PACKING	PLATING	LENGTH	MATING	STAMPED LETTER	WIRE SIZE	MAX INS. DIA
16020105	70021-0004	REEL	OVERALL TIN	21.39	8.43	A	24-30 AWG	1.52
16020108	70021-0204	LOOSE						
16020077	70021-0006	REEL	207 = 0.38 GOLD					
16020109	70021-0206	LOOSE						
16020078	70021-0008	REEL	206 = 0.75 GOLD					
16020110	70021-0208	LOOSE						

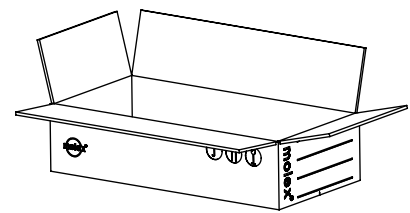
TERMINAL STAMPED WITH LETTER "C" FOR USE WITH 22-24 AWG WIRE								
MATERIAL NO	ENGINEERING NO	PACKING	PLATING	LENGTH	MATING	STAMPED LETTER	WIRE SIZE	MAX INS. DIA
16020107	70021-0021	REEL	OVERALL TIN	21.39	8.43	C	22-24 AWG	1.63
16020114	70021-0221	LOOSE						
16020081	70021-0023	REEL	207 = 0.38 GOLD					
16020115	70021-0223	LOOSE						
16020116	70021-0025	REEL	206 = 0.75 GOLD					
16020117	70021-0225	LOOSE						
700210117	70021-0117							
700210081	NA	NA	207 = 0.38 GOLD	19.61	6.65			
700211021	NA	NA	OVERALL TIN					
700211023	NA	REEL	206 = 0.75 GOLD					

TERMINAL STAMPED WITH LETTER "B" FOR USE WITH 32-36 AWG WIRE								
MATERIAL NO	ENGINEERING NO	PACKING	PLATING	LENGTH	MATING	STAMPED LETTER	WIRE SIZE	MAX INS. DIA
16020106	70021-0013	REEL	OVERALL TIN	21.39	8.43	B	32-36 AWG	0.64
16020111	70021-0213	LOOSE						
16020079	70021-0015	REEL	207 = 0.38 GOLD					
16020112	70021-0215	LOOSE						
16020080	70021-0017	REEL	206 = 0.75 GOLD					
16020113	70021-0217	LOOSE						

REELED PART PACKAGING



PARTS PER BAG: 6,000
BAGS PER BOX: 2
PARTS PER BOX: 12,000



LOOSE PART PACKAGING

SYMBOLS	THIS DRAWING CONTAINS INFORMATION THAT IS PROPRIETARY TO MOLEX ELECTRONIC TECHNOLOGIES, LLC AND SHOULD NOT BE USED WITHOUT WRITTEN PERMISSION		CURRENT REV DESC: ADD PK SPEC		molex			
	DIMENSION UNITS	SCALE						SL MALE CRIMP TERMINAL
	▽ = 0	mm	1:10			PRODUCT CUSTOMER DRAWING		
	▽ = 0	GENERAL TOLERANCES (UNLESS SPECIFIED)						
	▽ = 0	ANGULAR TOL ± °				700210000-SD		
	▽ = 0	4 PLACES ±		EC NO: 615128				
	▽ = 0	3 PLACES ±		DRWN: GJEEVANSURES 2018/12/05		PSD		
	▽ = 0	2 PLACES ± 0.25		CHK'D: SCS02 2019/04/05				
	▽ = 0	1 PLACE ± 0.35		APPR: ISHWARG 2019/04/05		REVISION		
	▽ = 0	0 PLACES ± 0.0		INITIAL REVISION:				
▽ = 0	DRAFT WHERE APPLICABLE MUST REMAIN WITHIN DIMENSIONS		DRWN: KSAMIEC 2017/09/01		SHEET NUMBER			
▽ = 0	THIRD ANGLE PROJECTION		APPR: FSMITH 2017/09/12					2 OF 2
		DRAWING	SERIES	MATERIAL NUMBER		CUSTOMER		
		B-SIZE	70021					