

-3V to -15V Hot Swap Power Manager

FEATURES

- Integrated 0.1Ω Power MOSFET
- -3V to -15V Operation
- Programmable Electronic Circuit Breaker
- Digital Programmable Current Limit from 0A to 3A
- Programmable Maximum Output Current from 0A to 4A
- Programmable On Time
- Fixed 2% Fault Duty Cycle
- Thermal Shutdown
- Fault Output Indicator
- Power SOIC Package

DESCRIPTION

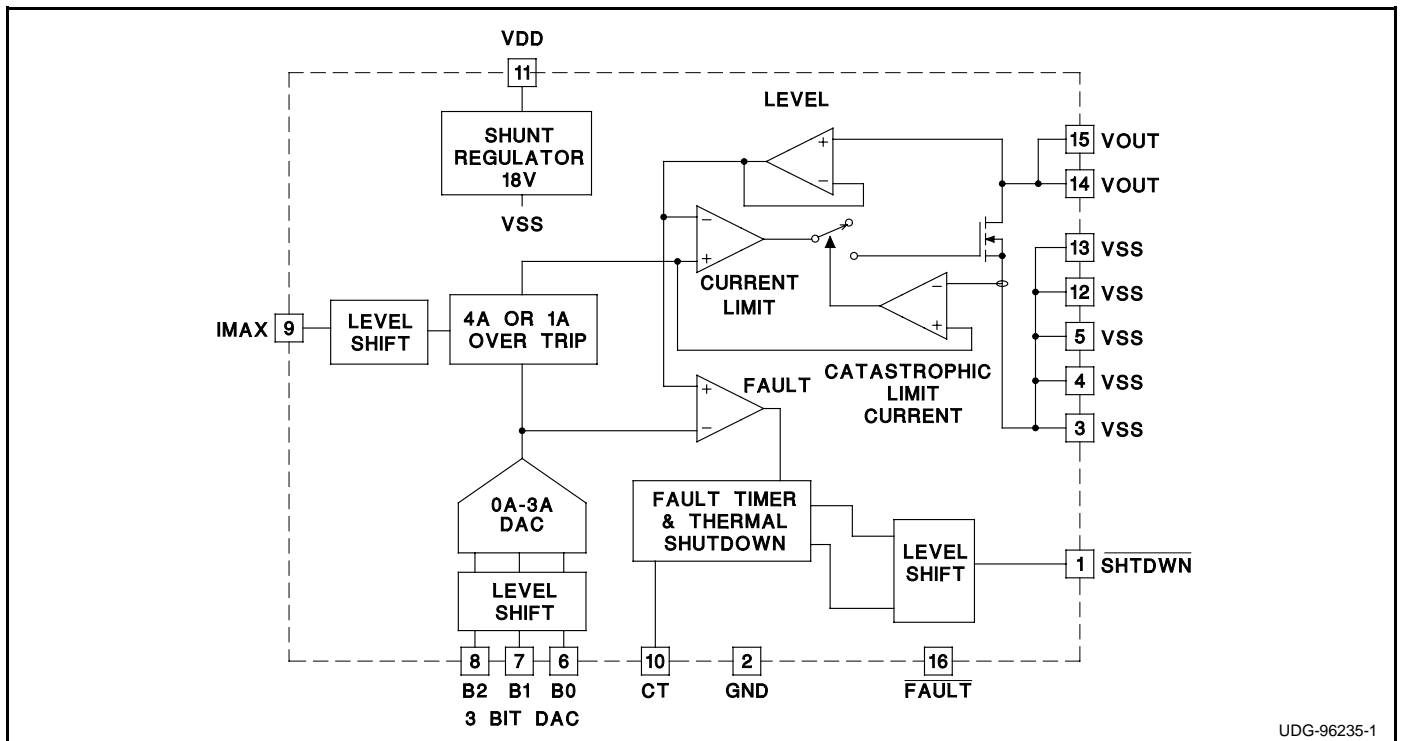
The UCC3920 Low RDSon Hot Swap Power Manager provides complete power management, hot swap capability, and circuit breaker functions. The only component needed to operate the device, other than supply bypassing, is the fault timing capacitor, CT. All control and housekeeping functions are integrated and externally programmable. These include the fault current level, maximum output sourcing current, maximum fault time, and start up delay. In the event of a constant fault, the internal fixed 2% duty cycle ratio limits the average output power.

The internal 3 bit DAC allows programming of the fault level current from 0mA to 500mA with 250mA resolution, and from 500mA to 3A with 500mA resolution. The IMAX control pin sets the maximum sourcing current to 1A above the fault level when driven low, and to a full 4A when driven high for applications which require fast output charging.

When the output current is below the fault level, the output MOSFET is switched on with a nominal resistance of 0.1Ω. When the output current exceeds the fault level or the maximum sourcing level, the output remains on, but the fault timer starts charging CT. Once CT charges to a preset threshold, the switch is turned off, and remains off for 50 times the programmed fault time. When the output current reaches the maximum sourcing level, the MOSFET transitions from a switch to a constant current source, regulating the output current at a constant level.

Other features include an Open Drain Fault Output Indicator, Thermal Shutdown, Undervoltage Lockout, -3V to -15V operation, and a low thermal resistance Small Outline Power Package. All level shifting is done internally, which means that the DAC, IMAX and Shutdown Inputs can be driven from the logic supply. The fault output is also referenced to the logic GND, so this can easily interface back to the logic supply.

BLOCK DIAGRAM

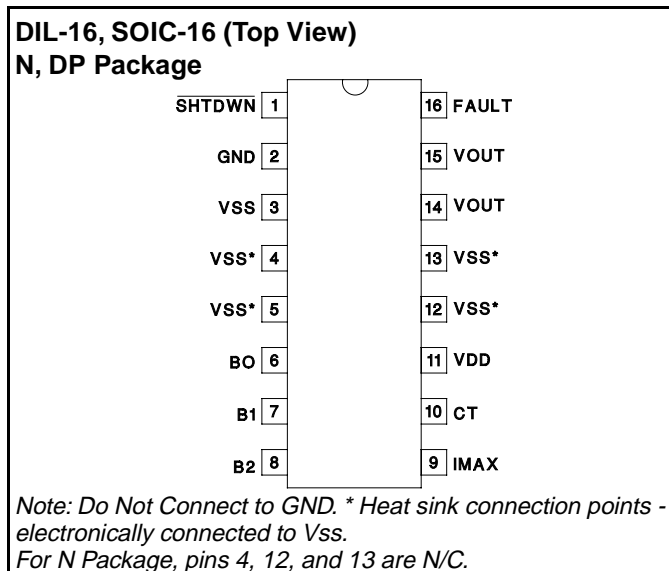


UDG-96235-1

ABSOLUTE MAXIMUM RATINGS

Input Supply Voltage
 (VDD)..... +7V
 (VSS)..... -15V
 Maximum Differential Supply (VDD - VSS)..... 18V
 Maximum Supply Shunt Current 20mA
 Fault Output Sink Current..... 20mA
 Fault Output Voltage..... 7V
 Output Current (DC)..... Internally Limited
 TTL Input Voltage..... -0.3 to 7V
 Storage Temperature..... -65°C to +150°C
 Junction Temperature -55°C to +150°C
 Lead Temperature (Soldering, 10 sec.) +300°C
*Currents are positive into, negative out of the specified terminal.
 Pulsed is defined as a less than 10% duty cycle with a maximum
 duration of 500µs. Consult Packaging Section of Databook for
 thermal limitations and considerations of packages.*

CONNECTION DIAGRAM



ELECTRICAL CHARACTERISTICS Unless otherwise stated, these specifications apply for TA = 0°C to 70°C for the UCC3920 and TA = -40°C to 85°C for the UCC2920, TA = TJ.

PARAMETER	TEST CONDITIONS	MIN	TYP	MAX	UNITS
Supply Section					
Voltage Input Range - VDD	Minimum < VDD < Maximum (Note 3)	3	5	5.5	V
Voltage Input Range - VSS	Minimum < VSS < Maximum	-13.2	-12	-3	V
VSS Supply Current			0.5	2	mA
VDD Supply Current			0.5	2	mA
Sleep Mode Current	Shutdown = 0.2V		0.5	2	mA
Shunt Clamp Voltage - (VDD - VSS)	I = 2mA to 10mA, Note 3	16.2	18	20	V
Output Section					
Voltage Drop	I _{OUT} = 1A		0.1	0.2	V
	I _{OUT} = 2A		0.2	0.4	V
	I _{OUT} = 3A		0.3	0.6	V
	I _{OUT} = 1A, VSS = -3V		0.1	0.2	V
	I _{OUT} = 2A, VSS = -3V		0.2	0.4	V
	I _{OUT} = 3A, VSS = -3V		0.3	0.6	V
Short Circuit Response	Note 1		20		µs
DAC Section					
Trip Current	Code = 000		0	20	µA
	Code = 001	0.1	0.25	0.45	A
	Code = 010	0.25	0.5	0.75	A
	Code = 011	0.75	1	1.25	A
	Code = 100	1.25	1.5	1.75	A
	Code = 101	1.7	2	2.3	A
	Code = 110	2.1	2.5	2.9	A
	Code = 111	2.5	3	3.5	A
Maximum Output Current	Code = 000, I _{MAX} = 0.4V		0	20	µA
	Code = 011, I _{MAX} = 0.4V	1	2	3	A
	Code = 101, I _{MAX} = 0.4V	2	3	4	A
	Code = 111, I _{MAX} = 0.4V	2.8	4	5.2	A
	I _{MAX} = 2.4V, All Codes	3	4	5.2	A

ELECTRICAL CHARACTERISTICS (cont.) Unless otherwise stated, these specifications apply for $T_A = 0^\circ\text{C}$ to 70°C for the UCC3920 and $T_A = -40^\circ\text{C}$ to 85°C for the UCC2920, $T_A = T_J$.

PARAMETER	TEST CONDITIONS	MIN	TYP	MAX	UNITS
Fault Section					
CT Charge Current	$V_{CT} = 1\text{V}$, Note 2	-50	-36	-22	μA
CT Discharge Current	$V_{CT} = 1\text{V}$, Note 2	0.36	0.6	1	μA
Output Duty Cycle	$V_{OUT} = 0\text{V}$	1	2	4	%
CT Fault Threshold	Note 2	1.25	1.5	1.75	V
CT Reset Threshold	Note 2	0.25	0.5	0.75	V
Shutdown Section					
Shutdown Threshold		1.1	1.5	1.9	V
Shutdown Hysteresis			50		mV
Open Drain Fault Output					
High Level Output Current				1	μA
Low Level Output Voltage	$I_{OUT} = 2\text{mA}$			0.4	V
	$I_{OUT} = 10\text{mA}$			0.9	V
Logic Input DC Characteristics					
Input Voltage High		2			V
Input Voltage Low				0.8	V
Input High Current	$V_{IH} = 2.4\text{V}$		3	10	μA
Input Low Current	$V_{IL} = 0.4\text{V}$			1	μA

Note 1: Guaranteed by design. Not 100% tested in production.

Note 2: Voltages measured with respect to VSS.

Note 3: An external resistor in series with VDD could be used to limit the current to 10mA if an input voltage higher than 15V is desired.

PIN DESCRIPTIONS

BO - B2: These pins provide a digital input to the DAC. They can be used to provide a digital soft start, adaptive current limiting, or be strapped for static applications.

CT: A capacitor connected to CT sets the maximum fault time. The maximum must be more than the time to charge external load capacitance. The maximum fault time is defined as $T_{FAULT} = 28 \cdot 10^3 \cdot CT$. Once the fault time is reached the output will shutdown for a time given by: $TSD = 1.67 \cdot 10^6 \cdot CT$, this equates to a 2% duty cycle.

FAULT: Open drain output which, pulls low, from VDD to GND, upon any condition which causes the output to open: Fault, Thermal Shutdown, or Shutdown.

GND: Reference return for VDD and VSS (VIN). This serves as the reference point for digital signals.

IMAX: When this pin is at a logic low the linear output

current will always be 1A above the programmed trip level, and with a logic high the linear current will always be a constant 4A for applications which require fast charging of load capacitance.

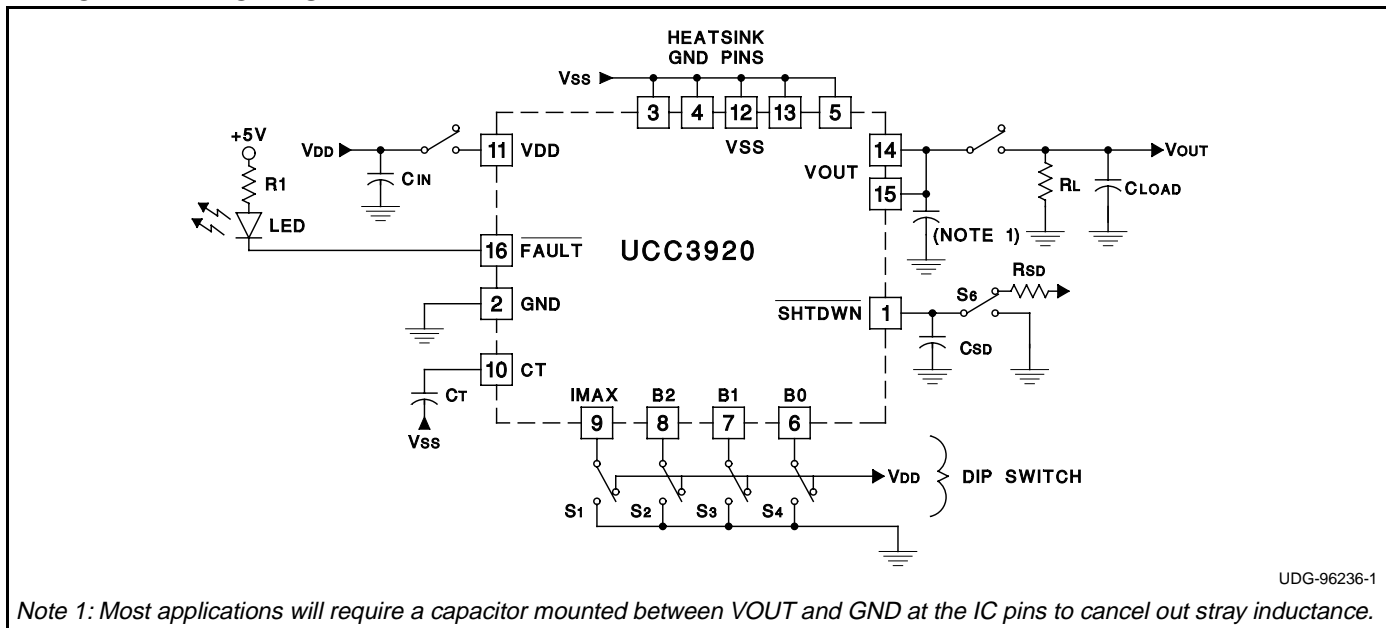
SHTDWN: When this pin is brought down low the IC is put into a sleep mode.

VDD: Positive input voltage to the circuit breaker. The input voltage range is 3V to 5.5V. If the total voltage excursion, $VDD - VSS$ could be 15V or greater, VDD should have an external limiting resistor in series with it.

VSS: The input voltage to the circuit breaker. The recommended voltage range is -3.3V to -15V .

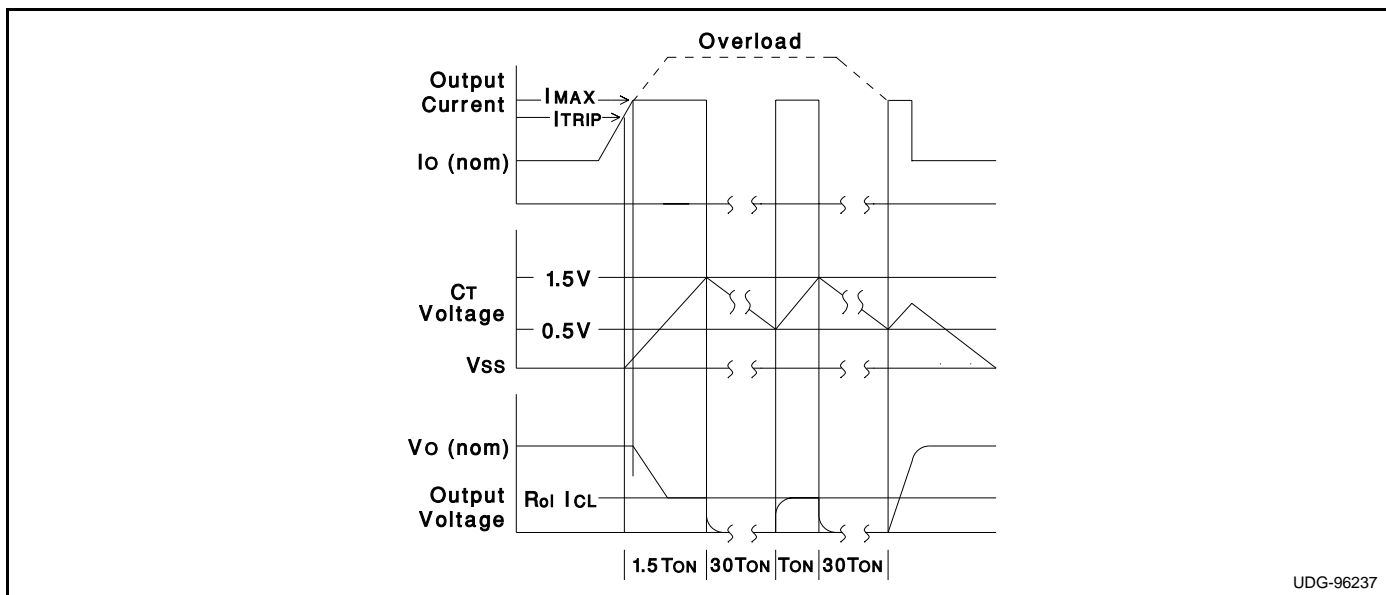
VOUT: Output voltage for the circuit breaker. When switched the output voltage will be approximately $V_{IN} + 0.1\Omega \cdot I_{OUT}$.

TYPICAL APPLICATION



UDG-96236-1

Note 1: Most applications will require a capacitor mounted between VOUT and GND at the IC pins to cancel out stray inductance.



UDG-96237

Estimating Maximum Load Capacitance

For power management applications, the rate at which the total output capacitance can be charged depends on the maximum output current available and the nature of the load. For a constant-current current-limited circuit, the output will rise if the load asks for less than the maximum available short-circuit current.

To guarantee duty-cycle recovery of the current-limited power manager from a short-circuited load condition, there is a maximum total output capacitance which can be charged for a given unit ON time (Fault time). The design value of ON or Fault time can be adjusted by changing the timing capacitor CT.

For a worst-case constant-current load of value just less than the trip limit; COUT(max) can be estimated from:

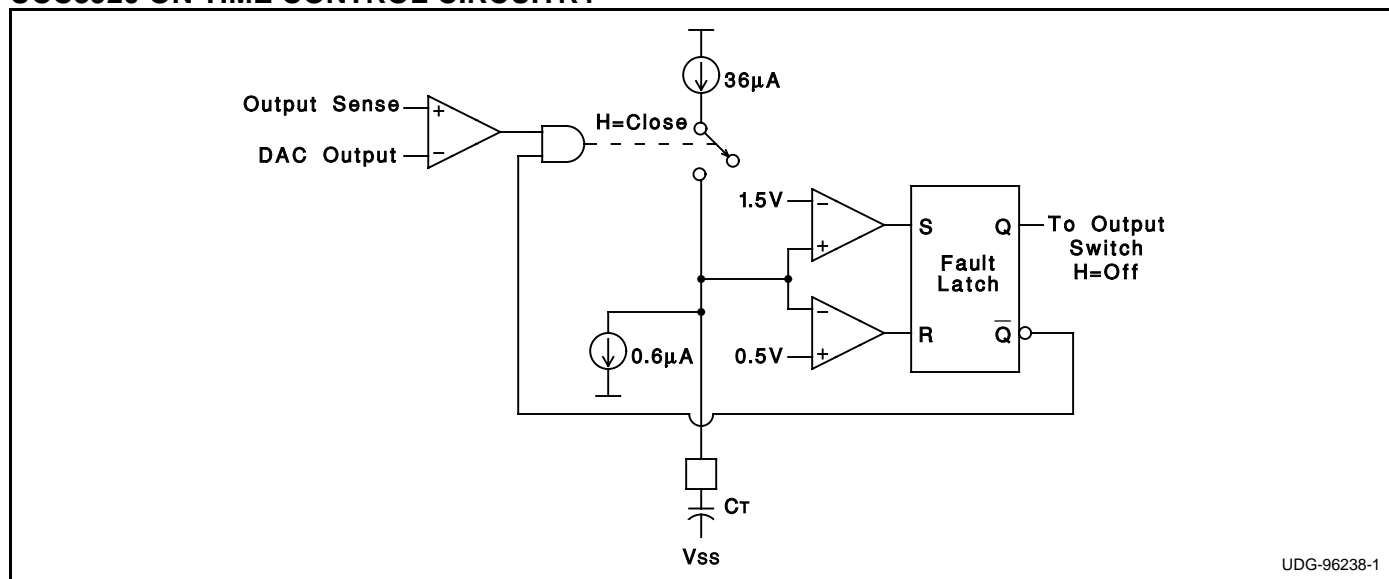
$$C_{OUT(max)} \approx (I_{MAX} - I_{LOAD}) \cdot \left(\frac{28 \cdot 10^3 \cdot C_T}{V_{OUT}} \right)$$

Where VOUT is the output voltage.

For a resistive load of value RL, the value of COUT(max) can be estimated from:

$$C_{OUT(max)} \approx \left(\frac{28 \cdot 10^3 \cdot C_T}{R_L \cdot \ln \left[\frac{1}{1 - \frac{V_{OUT}}{I_{MAX} \cdot R_L}} \right]} \right)$$

UCC3920 ON TIME CONTROL CIRCUITRY

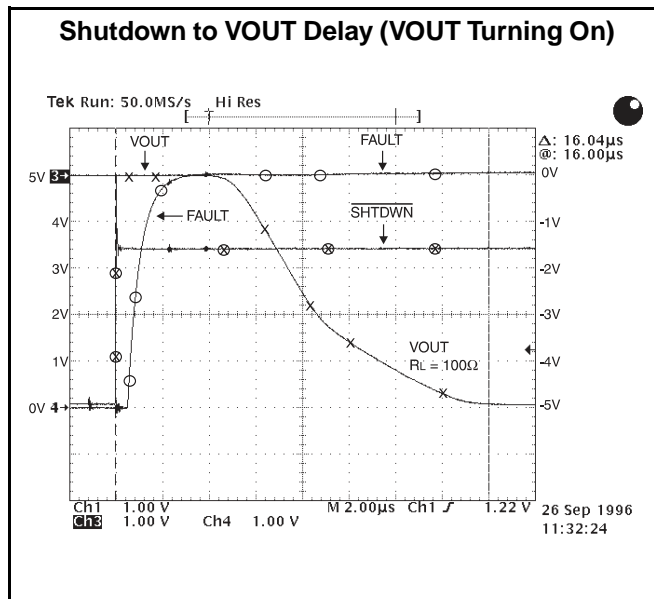
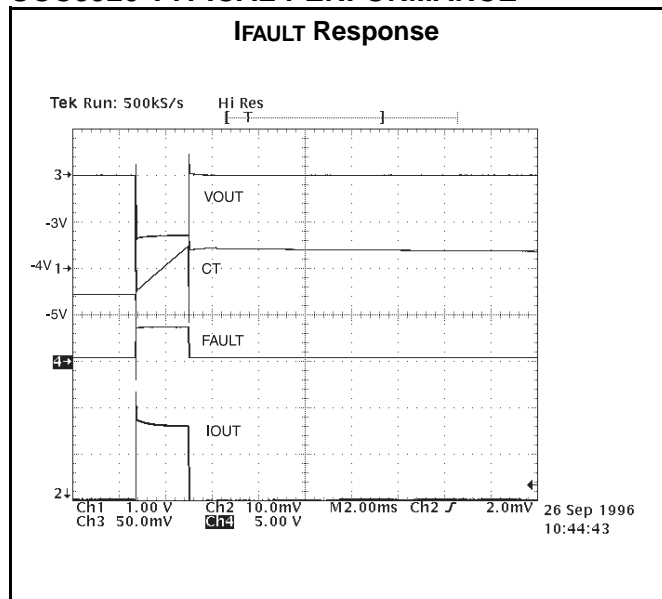


UDG-96238-1

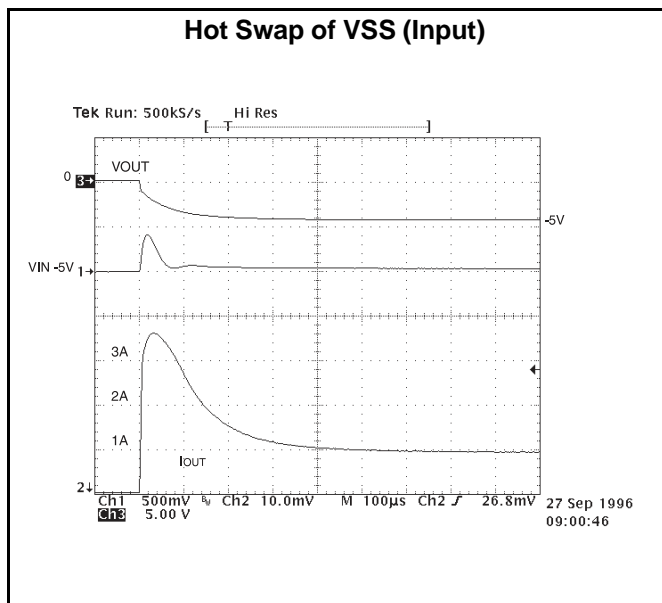
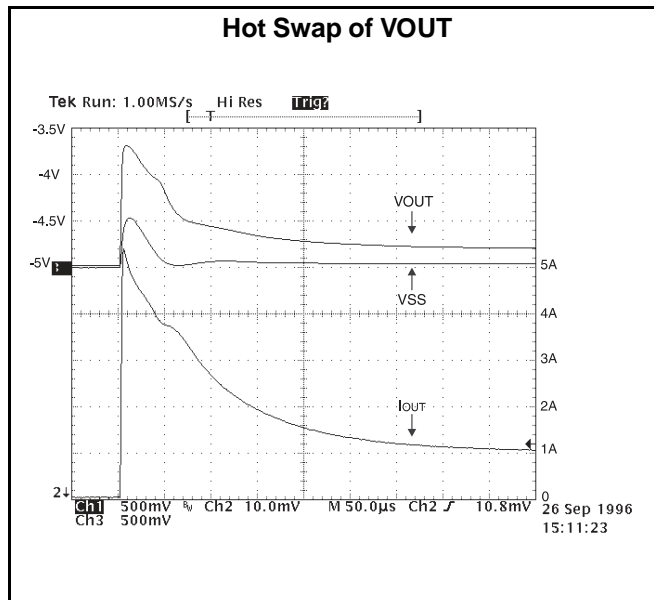
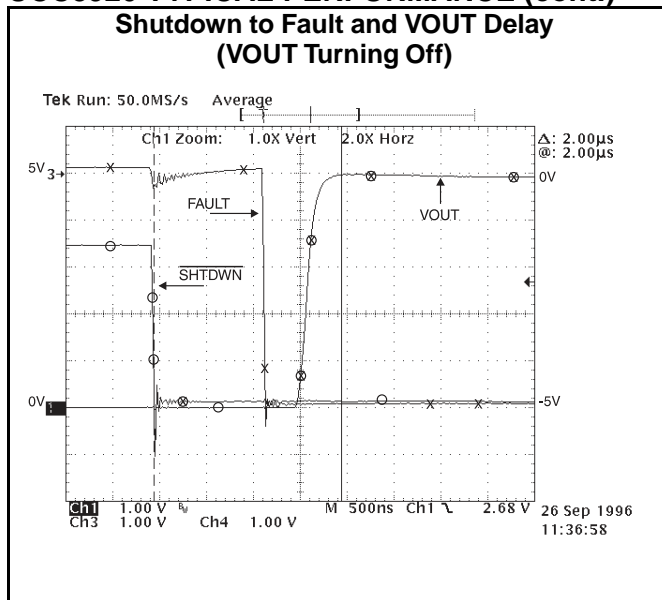
The overcurrent comparator senses both the DAC output and a representation of the output current. When the output current exceeds the programmed level the timing capacitor C_T charges with $36\mu\text{A}$ of current. If the fault occurs for the time it takes for C_T to charge up to 1.5V, the fault latch is set and the output switch is opened. The output remains opened until C_T dis-

charges to 0.5V with a $0.6\mu\text{A}$ current source. Once the 0.5V is reached the output is enabled and will either appear as a switch, if the fault is removed, or a current source if the fault remains. If the over current condition is still present then C_T will begin charging, starting the cycle over, resulting in approximately a 2% duty cycle.

UCC3920 TYPICAL PERFORMANCE



UCC3920 TYPICAL PERFORMANCE (cont.)



SAFETY RECOMMENDATION

Although the UCC3920 is designed to provide system protection for all fault conditions, all integrated circuits can ultimately fail short. For this reason, if the UCC3920 is intended for use in safety critical applications where UL or some other safety rating is required, a redundant safety device such as a fuse should be placed in series with the device. The UCC3920 will prevent the fuse from blowing for virtually all fault conditions, increasing system reliability and reducing maintenance cost, in addition to providing the hot swap benefits of the device.

PACKAGING INFORMATION

Orderable Device	Status ⁽¹⁾	Package Type	Package Drawing	Pins	Package Qty	Eco Plan ⁽²⁾	Lead/Ball Finish	MSL Peak Temp ⁽³⁾
UCC2920DP	OBSOLETE		UTR	16		TBD	Call TI	Call TI
UCC2920J	OBSOLETE		UTR			TBD	Call TI	Call TI
UCC2920N	OBSOLETE		UTR			TBD	Call TI	Call TI
UCC3920DP	OBSOLETE		UTR	16		TBD	Call TI	Call TI
UCC3920N	OBSOLETE		UTR			TBD	Call TI	Call TI

⁽¹⁾ The marketing status values are defined as follows:

ACTIVE: Product device recommended for new designs.

LIFEBUY: TI has announced that the device will be discontinued, and a lifetime-buy period is in effect.

NRND: Not recommended for new designs. Device is in production to support existing customers, but TI does not recommend using this part in a new design.

PREVIEW: Device has been announced but is not in production. Samples may or may not be available.

OBSOLETE: TI has discontinued the production of the device.

⁽²⁾ Eco Plan - The planned eco-friendly classification: Pb-Free (RoHS) or Green (RoHS & no Sb/Br) - please check <http://www.ti.com/productcontent> for the latest availability information and additional product content details.

TBD: The Pb-Free/Green conversion plan has not been defined.

Pb-Free (RoHS): TI's terms "Lead-Free" or "Pb-Free" mean semiconductor products that are compatible with the current RoHS requirements for all 6 substances, including the requirement that lead not exceed 0.1% by weight in homogeneous materials. Where designed to be soldered at high temperatures, TI Pb-Free products are suitable for use in specified lead-free processes.

Green (RoHS & no Sb/Br): TI defines "Green" to mean Pb-Free (RoHS compatible), and free of Bromine (Br) and Antimony (Sb) based flame retardants (Br or Sb do not exceed 0.1% by weight in homogeneous material)

⁽³⁾ MSL, Peak Temp. -- The Moisture Sensitivity Level rating according to the JEDEC industry standard classifications, and peak solder temperature.

Important Information and Disclaimer:The information provided on this page represents TI's knowledge and belief as of the date that it is provided. TI bases its knowledge and belief on information provided by third parties, and makes no representation or warranty as to the accuracy of such information. Efforts are underway to better integrate information from third parties. TI has taken and continues to take reasonable steps to provide representative and accurate information but may not have conducted destructive testing or chemical analysis on incoming materials and chemicals. TI and TI suppliers consider certain information to be proprietary, and thus CAS numbers and other limited information may not be available for release.

In no event shall TI's liability arising out of such information exceed the total purchase price of the TI part(s) at issue in this document sold by TI to Customer on an annual basis.

IMPORTANT NOTICE

Texas Instruments Incorporated and its subsidiaries (TI) reserve the right to make corrections, modifications, enhancements, improvements, and other changes to its products and services at any time and to discontinue any product or service without notice. Customers should obtain the latest relevant information before placing orders and should verify that such information is current and complete. All products are sold subject to TI's terms and conditions of sale supplied at the time of order acknowledgment.

TI warrants performance of its hardware products to the specifications applicable at the time of sale in accordance with TI's standard warranty. Testing and other quality control techniques are used to the extent TI deems necessary to support this warranty. Except where mandated by government requirements, testing of all parameters of each product is not necessarily performed.

TI assumes no liability for applications assistance or customer product design. Customers are responsible for their products and applications using TI components. To minimize the risks associated with customer products and applications, customers should provide adequate design and operating safeguards.

TI does not warrant or represent that any license, either express or implied, is granted under any TI patent right, copyright, mask work right, or other TI intellectual property right relating to any combination, machine, or process in which TI products or services are used. Information published by TI regarding third-party products or services does not constitute a license from TI to use such products or services or a warranty or endorsement thereof. Use of such information may require a license from a third party under the patents or other intellectual property of the third party, or a license from TI under the patents or other intellectual property of TI.

Reproduction of information in TI data books or data sheets is permissible only if reproduction is without alteration and is accompanied by all associated warranties, conditions, limitations, and notices. Reproduction of this information with alteration is an unfair and deceptive business practice. TI is not responsible or liable for such altered documentation.

Resale of TI products or services with statements different from or beyond the parameters stated by TI for that product or service voids all express and any implied warranties for the associated TI product or service and is an unfair and deceptive business practice. TI is not responsible or liable for any such statements.

Following are URLs where you can obtain information on other Texas Instruments products and application solutions:

Products		Applications	
Amplifiers	amplifier.ti.com	Audio	www.ti.com/audio
Data Converters	dataconverter.ti.com	Automotive	www.ti.com/automotive
DSP	dsp.ti.com	Broadband	www.ti.com/broadband
Interface	interface.ti.com	Digital Control	www.ti.com/digitalcontrol
Logic	logic.ti.com	Military	www.ti.com/military
Power Mgmt	power.ti.com	Optical Networking	www.ti.com/opticalnetwork
Microcontrollers	microcontroller.ti.com	Security	www.ti.com/security
		Telephony	www.ti.com/telephony
		Video & Imaging	www.ti.com/video
		Wireless	www.ti.com/wireless

Mailing Address: Texas Instruments
Post Office Box 655303 Dallas, Texas 75265