

MATERIALS AND FINISHES:

SMA JACK BULKHEAD CONNECTOR:

BODY, CRIMP TUBE, JAM NUT: BRASS
PLATED GOLD

CENTER CONTACT: BERYLLIUM COPPER
PLATED GOLD

INSULATOR: PTFE

LOCK WASHER: PHOSPHOR BRONZE
PLATED GOLD

MHF® 4L LK CONNECTOR

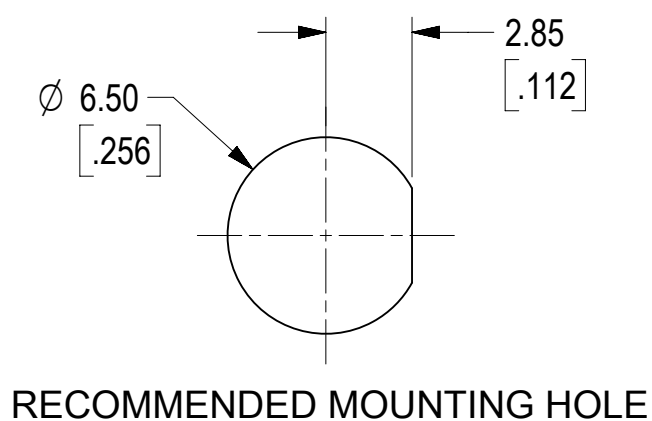
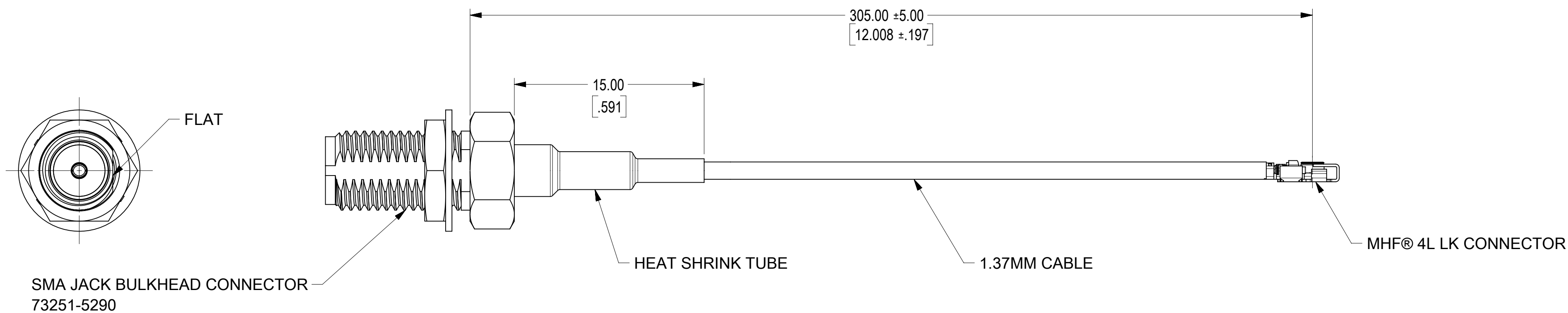
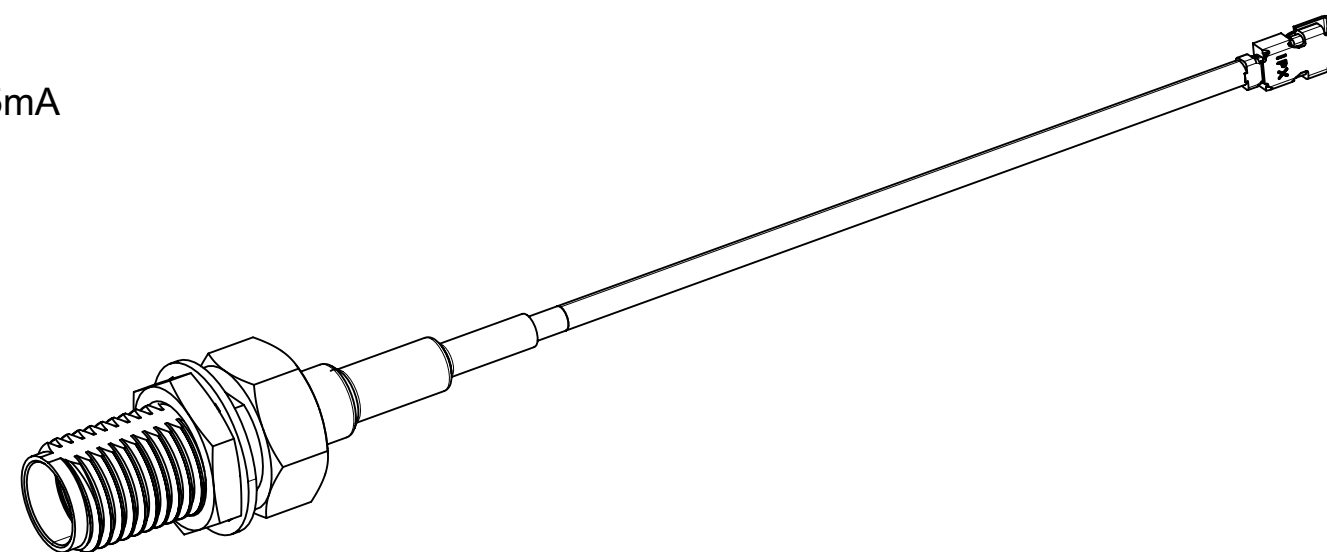
CABLE: 1.37MM CABLE

HEAT SHRINK TUBE: PE

PERFORMANCE REQUIREMENTS

FREQUENCY RANGE: 0~6GHz
IMPEDANCE: 50 Ω
WITHSTAND VOLTAGE(AC): 350V @0.5mA
CONTINUITY: 100% TEST

PACKAGING BY PLASTIC BAG



RECOMMENDED MOUNTING HOLE

PART # 73230-6160

FUNCTIONAL SYMBOLS	THIS DRAWING CONTAINS INFORMATION THAT IS PROPRIETARY TO MOLEX ELECTRONIC TECHNOLOGIES, LLC AND SHOULD NOT BE USED WITHOUT WRITTEN PERMISSION		
	DIMENSION UNITS	SCALE	CURRENT REV DESC:
$\frac{E}{A} = 0$	MM/INCH	4:1	EC NO: 721426 DRWN: YHUANG11 CHK'D: MYLU07 APPR: LCHEN03
$\frac{E}{C} = 0$	GENERAL TOLERANCES (UNLESS SPECIFIED)		
$\frac{E}{P} = 0$	ANGULAR TOL	± °	2022/07/21
DIVISIONAL SYMBOLS	4 PLACES	±	2022/09/19
	3 PLACES	±	2022/09/22
	2 PLACES	±	
	1 PLACE	±	
0 PLACES	±		INITIAL REVISION: DRWN: YHUANG11 APPR: LCHEN03
DRAFT WHERE APPLICABLE MUST REMAIN WITHIN DIMENSIONS	THIRD ANGLE PROJECTION	DRAWING	SERIES
		C-SIZE	73230
DOCUMENT STATUS	P1	RELEASE DATE	2022/09/22 07:56:03
DOCUMENT NUMBER		CUSTOMER	SHEET NUMBER
732306160		GENERAL MARKET	1 OF 1

molex

CA, SMA JACK BULKHEAD TO MHF® 4L LK
WITH DIA 1.37MM CABLE,50 OHMS,EWR#: 15305-A

PRODUCT CUSTOMER DRAWING

732306160

PSD 000 A

MATERIAL NUMBER: 73230-6160
CUSTOMER: GENERAL MARKET
SHEET NUMBER: 1 OF 1