

REV.	DESCRIPTION	DATE	APPROVED
C	31342 REDRAWN TO CAEDS: ADDED ITEM 5	96/10/31	RS
D	40477 *MAX* ADDED TO .59	99/09/27	RS
E	41491 *MAX* ADDED TO .76 & 1.03	00/02/01	RS

OPERATE CHARACTERISTICS

PICKUP  
DROPOUT  
CONTINUOUS

3 AMPS DC MAX  
1.2 AMP MIN.  
16 AMP MAX

CONTACT RATING

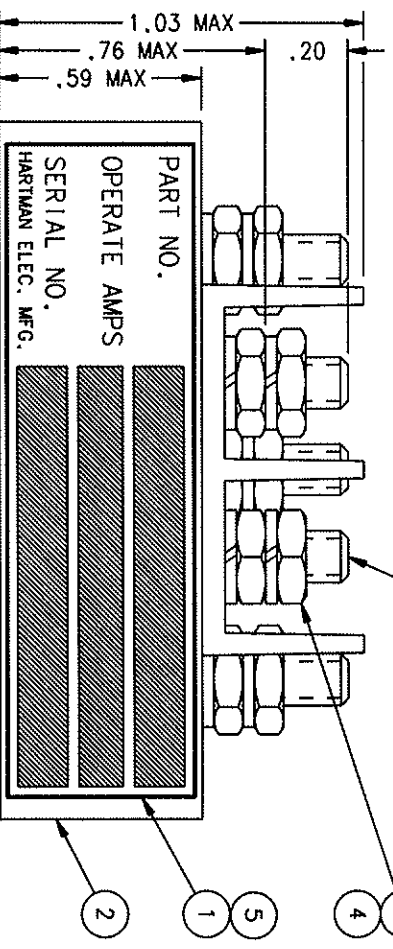
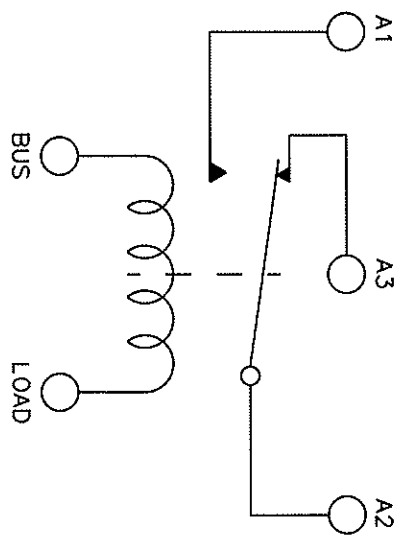
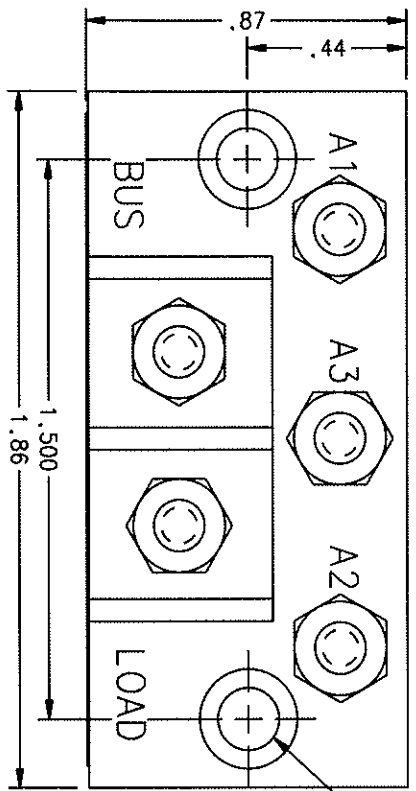
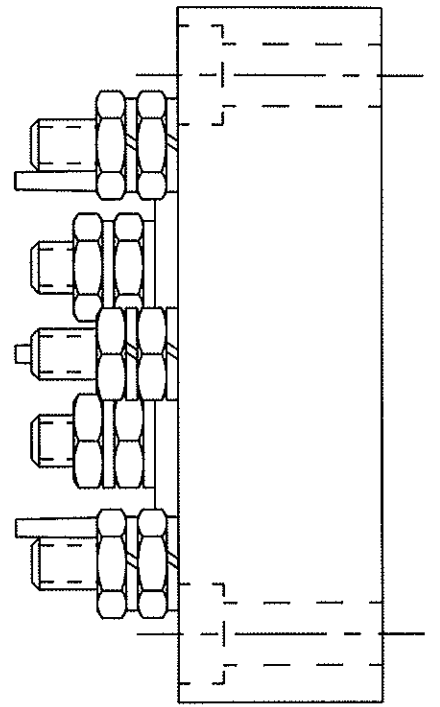
.25 AMP 28 VDC  
.080 AMP 28 VDC

VIBRATION

10 G'S TO 500 HZ  
50,000 FT. MAX

TEMP.

-55°C TO +71°C  
MAX. WEIGHT 1.25 OZ.



.166 DIA HOLE, C-BORE  
.265 DIA X .12 DEEP  
2 MTG HOLES

6-32 UNC-2A  
5 REQ'D.

PART NO.  
OPERATE AMPS  
SERIAL NO.  
HARTMAN ELEC. MFG.

- 1
- 2
- 3
- 4
- 5

FIND NO	QTY	PART OR IDENTIFYING NO	NAMEPLATE OR DESCRIPTION	ESOM NO	DRAWING OR SPECIFICATION	MATERIAL OR NOTE
1	1	39529-024	OVERLAY - NAMEPLATE			
2	1	51806-014	WASHER - LOCK NO. 6 SPLIT			BRONZE
3	5	50406-034	NUT - 6-32 X 1/4 X 5/64 HEX			BRASS
4	1	35893-020	RELAY ASSEMBLY - PRIMARY			
5	1	34246-001	PLATE - NAME			

UNLESS OTHERWISE SPECIFIED  
DIMENSIONS ARE IN INCHES  
TOLERANCES IN

2 PL. DEC. 3 PL. DEC. ANGLES  
\*.06 \* .010 \* 1°

DR BY RLS 00/02/25  
CHK BY RS 00/02/25  
ENGR JJA 00/02/03  
MFG JJA 00/03/03

HARTMAN ELECTRICAL MANUFACTURING  
MANFIELD, OHIO

RELAY - CURRENT  
INDICATOR

093

SIZE	CODE IDENT	DWG NO.
C	74063	0-50Z
SCALE	NONE	SHEET