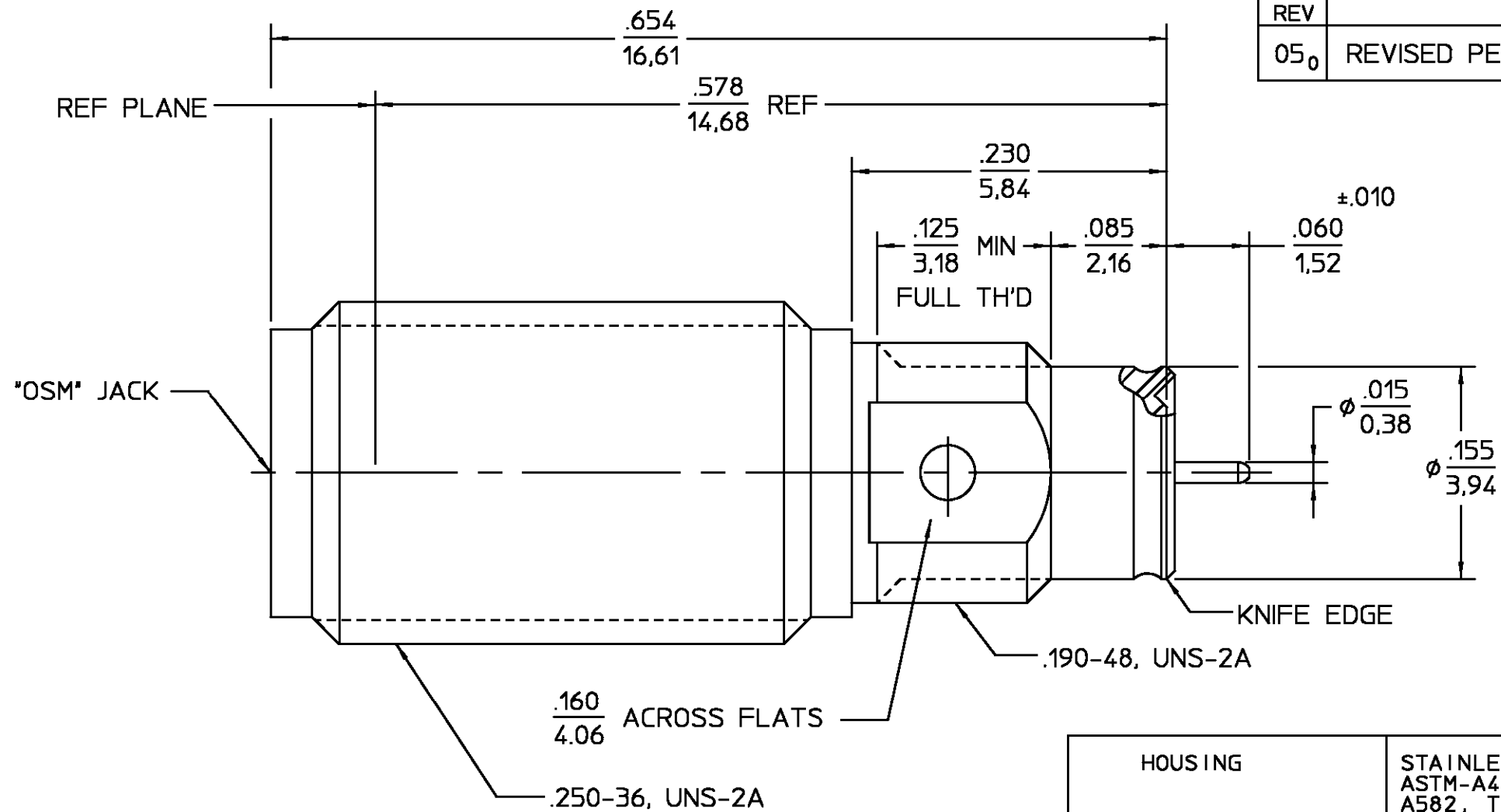


REVISIONS			
REV	DESCRIPTION	DATE	APPROVED
05 ₀	REVISED PER ECN 99-0323-1	C. Hoang 12/02/99	S. Morley 12/2/99



HOUSING	STAINLESS STEEL PER ASTM-A484 AND ASTM-A582, TYPE 303	PASSIVATE PER QQ-P-35
DIELECTRIC	PTFE FLUOROCARBON PER ASTM-D-1457	N/A
CENTER CONTACT	BERYLLIUM COPPER PER ASTM-B-196 OR ASTM-B-197, ALLOY C17300, CONDITION H	GOLD PLATE PER MIL-G-45204
COMPONENT	MATERIAL	FINISH

UNLESS OTHERWISE SPECIFIED DIMENSIONS ARE IN INCHES		DRAWN BY <i>[Signature]</i> DATE 1/5/99		AMP Incorporated 140 Fourth Avenue Waltham, MA. 02451-7599	
FRAC. ± 1/64 DEC. ± .005 ANGLES ± 1°		CHECKED BY			
These drawings and specifications are the property of AMP Incorporated and shall not be reproduced or copied or used in whole or in part as the basis for the manufacture or sale of item(s) without written permission.		APPD BY <i>[Signature]</i> 1/5/99		AMP	
USE ASSY PROCEDURE		TITLE "OSM" PANEL FEEDTHRU JACK RECEPTACLE			
NO. A.P. N/A		SIZE B	CODE IDENT NO. 26805	2058-5602-62	REV 05 ₀
		SCALE 10:1			SHEET 1 OF 1

NOTES:
1. CAPTURED CENTER CONTACT

.XXX = in
XX.X = mm (REF)

CUSTOMER DRAWING

AMP PART # 1329664-1
SHEET 1 OF 1 REV A