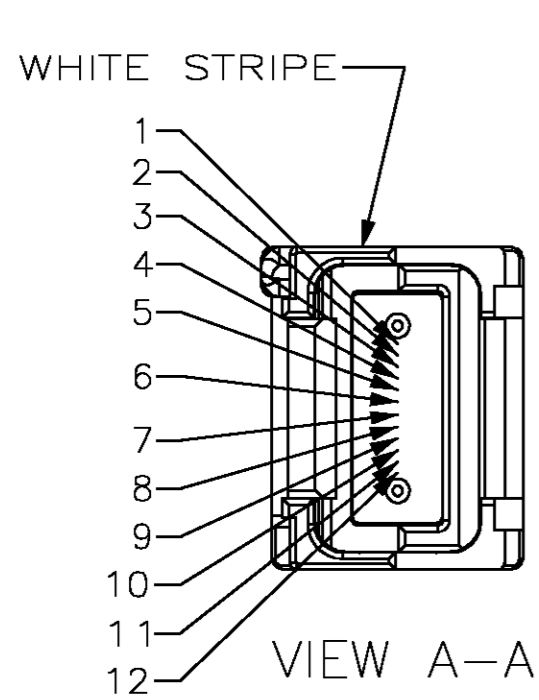
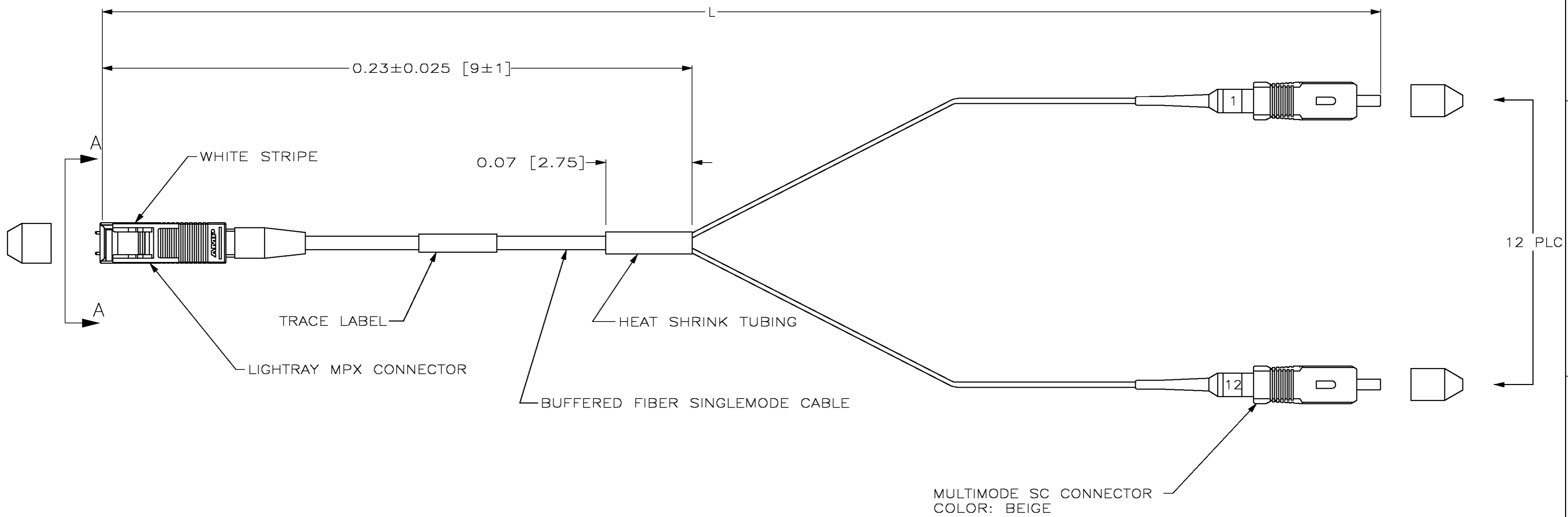


THIS DRAWING IS UNPUBLISHED. RELEASED FOR PUBLICATION
 © COPYRIGHT BY TYCO ELECTRONICS CORPORATION. ALL RIGHTS RESERVED.

LOC	DIST	REVISIONS			
P	LTR	DESCRIPTION	DATE	DWN	APVD
CE	16	A	REVISED PER 0A40-0482-03	21JUL04	JWD JB



FIBER#	COLOR	CONNECTOR NUMBER
1	BLUE	1
2	ORANGE	2
3	GREEN	3
4	BROWN	4
5	SLATE	5
6	WHITE	6
7	RED	7
8	BLACK	8
9	YELLOW	9
10	VIOLET	10
11	ROSE	11
12	AQUA	12

LIGHTRAY MPX CONNECTOR FIBER PATH

OBSOLETE	3.0±0.08 [118.0±3.0]	492514-3
	1.0±0.08 [39.4±3.0]	492514-1
	L	PART NUMBER

THIS DRAWING IS A CONTROLLED DOCUMENT.		DWN T. ALEXANDER 3-12-98	tyco Electronics	Tyco Electronics Corporation Harrisburg, Pa 17105-3608	
DIMENSIONS: METERS [INCHES]		CHK R. HILEMAN 4-23-98		NAME	
TOLERANCES UNLESS OTHERWISE SPECIFIED:		APVD L. BUDD 4-23-98	CABLE ASSEMBLY, FIBER OPTIC, 12 BUFFERED FIBER, LIGHTRAY MPX (MALE) TO SC SINGLEMODE, OPTIMATE		
0 PLC ± -		PRODUCT SPEC	APPLICATION SPEC		
1 PLC ± -		SIZE CAGE CODE DRAWING NO RESTRICTED TO			
2 PLC ± -		A2 00779 C=492514			
3 PLC ± -		RESTRICTED CUSTOMER			
4 PLC ± -		SCALE NTS SHEET 1 OF 1 REV A			
ANGLES ± -					
FINISH					