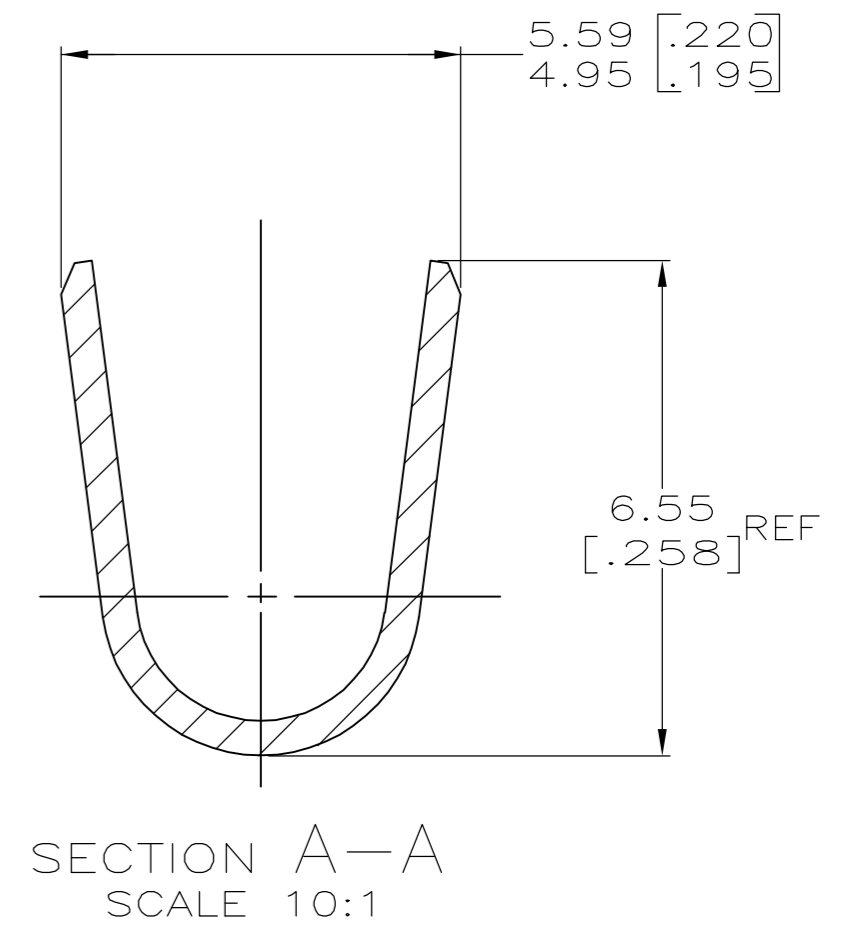
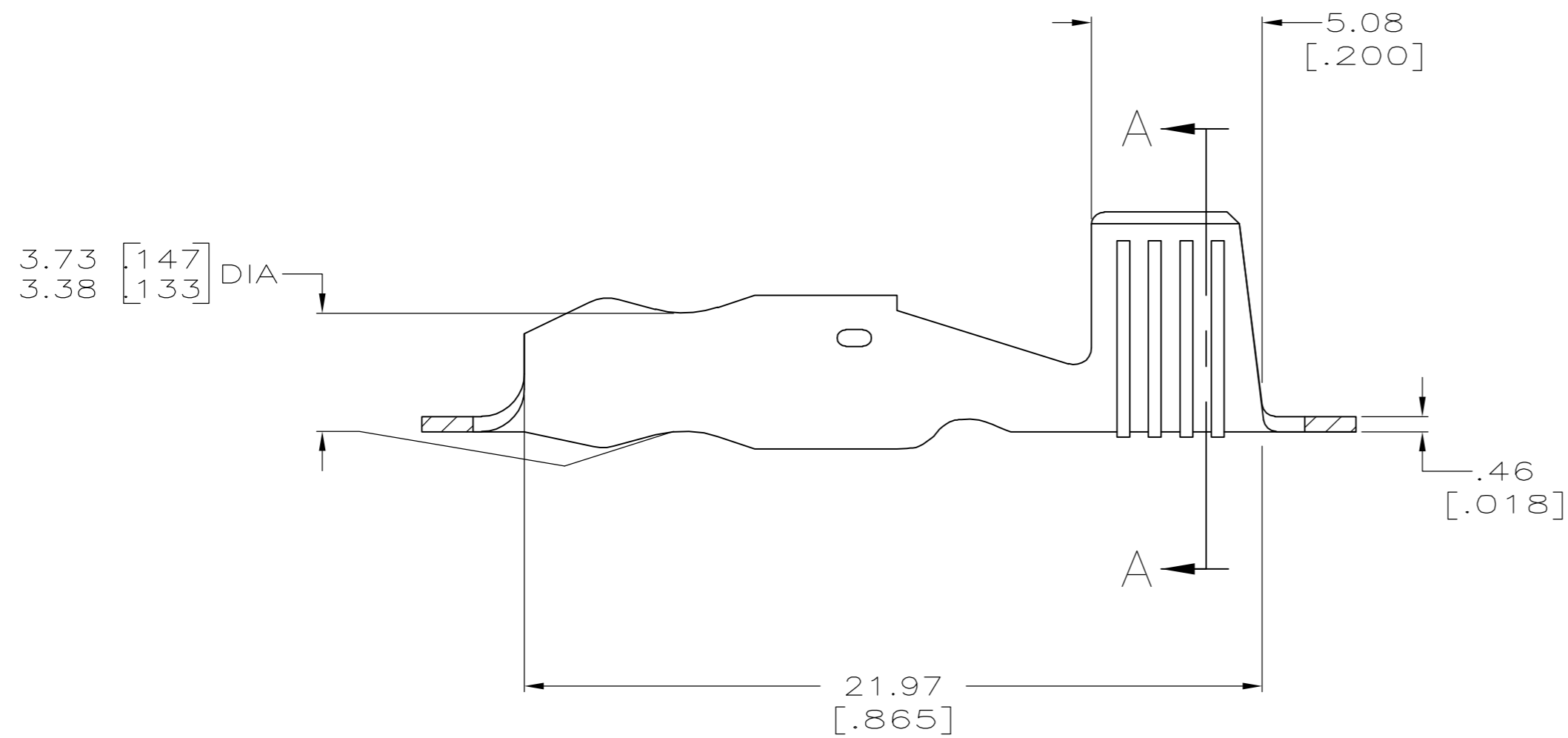
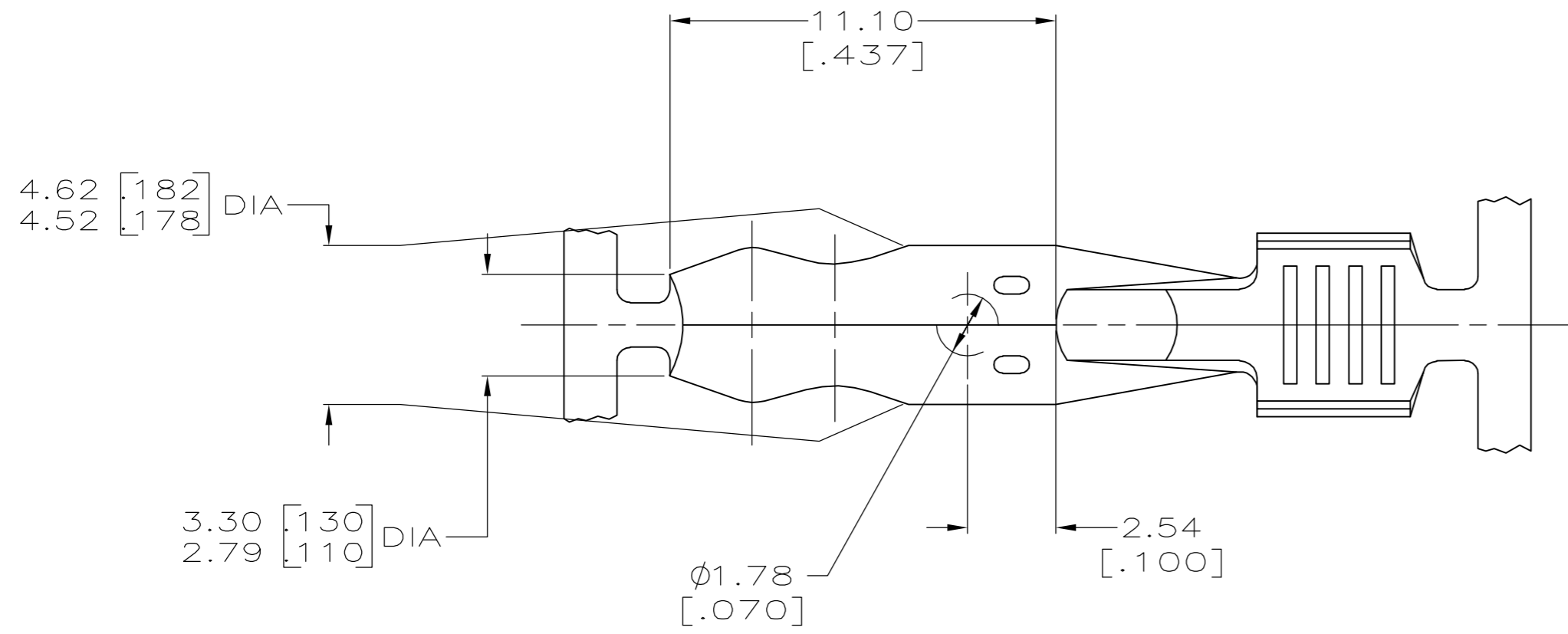


THIS DRAWING IS UNPUBLISHED. RELEASED FOR PUBLICATION
 © COPYRIGHT BY TYCO ELECTRONICS CORPORATION. ALL RIGHTS RESERVED.

LOC	DIST	REVISIONS			
P	LTR	DESCRIPTION	DATE	DWN	APVD
AF	50	E	REL PER 0G3A-0074-04	06FEB2004	RF DD

- 1 CONTINUOUS STRIP ON REELS.
- 2 WIRE SIZE IS #12-#10 OR FOUR #14'S AWG
- 3 PRELIMINARY - NOT FOR PRODUCTION.



0.00381 [.000150] MIN NICKEL	3 1217400-2
0.002032 [.000080] MIN TIN	1217400-1
FINISH	PART NUMBER

THIS DRAWING IS A CONTROLLED DOCUMENT.		DWN 19MAY2000 MICHAEL S. FEHER	tyco Tyco Electronics Corporation	
DIMENSIONS: MM		CHK 22MAY2000 DONALD DECKER	Electronics Harrisburg, PA 17105	
TOLERANCES UNLESS OTHERWISE SPECIFIED:		APVD 22MAY2000 DONALD DECKER	NAME SHUR-PLUG, 4.57[.180] DIA.	
0 PLC ± -	1 PLC ± -	PRODUCT SPEC	SIZE	CAGE CODE
2 PLC ± 0.25[.010]	3 PLC ± -	APPLICATION SPEC	114-2017	00779
4 PLC ± -	ANGLES ± -	FINISH	WEIGHT	DRAWING NO
MATERIAL 081 BRASS		SEE TABLE	CUSTOMER DRAWING	1217400
			SCALE 6:1	SHEET 1 OF 1
				REV E

1217400

A