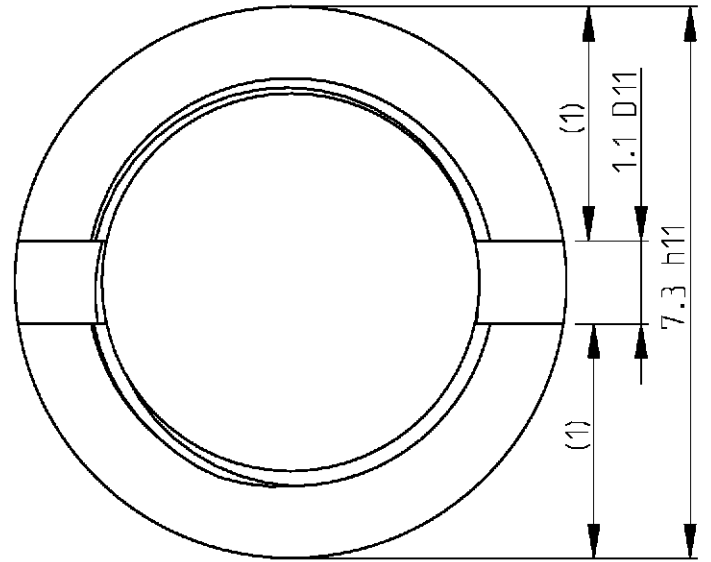
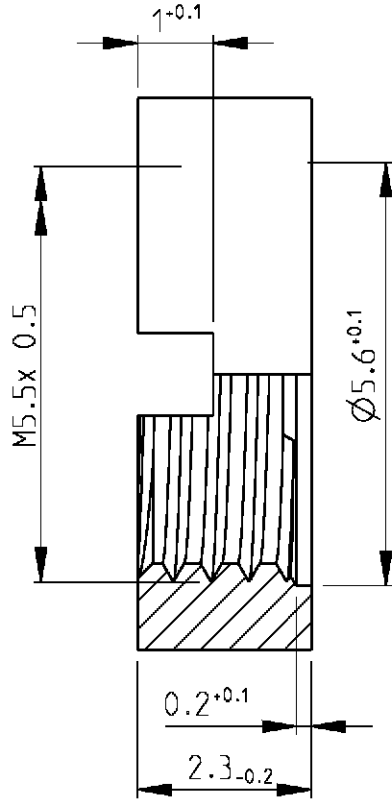
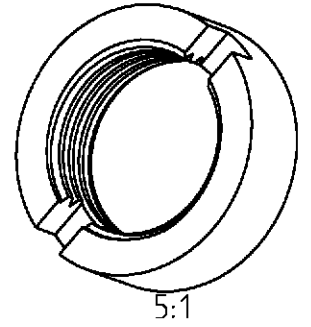


LOC	DIST	REVISIONS				
P	LTR	DESCRIPTION	DATE	DWN	APVD	
GW	-	A	-	18APR2001	BL	KM



1:1



Cross reference table		
Old part number	Tyco part number	Plating
C42334-A285-C7	1-1393562-7	Ni

THIS DRAWING IS UNPUBLISHED. 2000

RELEASED FOR PUBLICATION BY TYCO ELECTRONICS CORPORATION. ALL RIGHTS RESERVED. COPYRIGHT 2000

DIMENSIONS: mm	DWN B. Lenvain	18APR2001	MATERIAL	-	FINISH	-
	CHR K. Mattheeuws	-	Tyco Electronics Oostkamp - Belgium			
TOLERANCES UNLESS OTHERWISE SPECIFIED:	APVD R. Leeman	-				
0 PLC ±	PRODUCT SPEC	-	SIZE			RESTRICTED TO
1 PLC ±	APPLICATION SPEC	-	CAGE CODE			
2 PLC ±	WEIGHT	-	DRAWING NO			-
3 PLC ±			A 4 00779 C=1-1393562-7			
4 PLC ±			SCALE			SHEET 1 OF 1
ANGLES ±			5/1			
	CUSTOMER DRAWING		REV			A