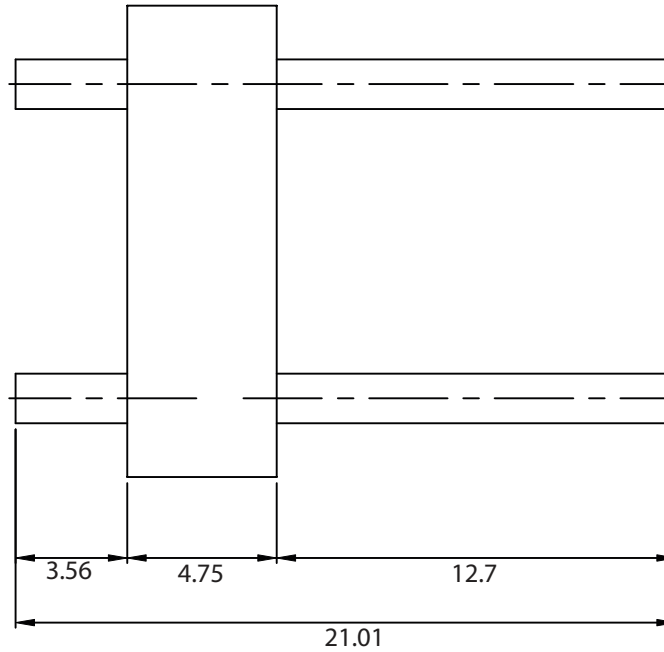
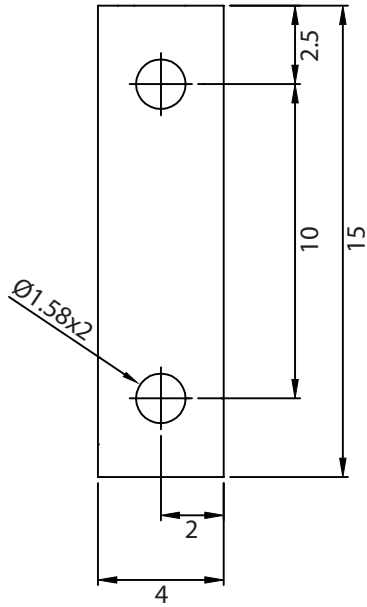


THESE DRAWINGS ARE THE PROPERTY OF QUALTEK ELECTRONICS AND NOT TO BE REPRODUCED FOR OR COMMUNICATED TO A THIRD PARTY WITHOUT THE EXPRESS WRITTEN PERMISSION OF AN OFFICER OF QUALTEK ELECTRONICS.

| REVISION |                 |          |          |
|----------|-----------------|----------|----------|
| REV.     | DESCRIPTION     | DATE     | APPROVED |
| B        | RoHS Compliancy | 06-01-06 | DP       |
|          |                 |          |          |
|          |                 |          |          |



**CONTROLLED**

| Dim range (mm) | Tolerance +/- (mm) | Qualtek Electronics Corp.<br>PPC DIVISION |                |                 |
|----------------|--------------------|---|----------------|-----------------|
|                |                    | Part Number: 740W-D/09                    |                | RoHS Compliant  |
| 0-1            | 0.15               | Description: PCB SPACER                   |                |                 |
| 1-6            | 0.20               |   | UNIT: mm       | REV. B          |
| 6-18           | 0.30               |   |                |                 |
| 18-50          | 0.50               |   |                |                 |
| 50-120         | 0.70               | Drawn / Date                              | Checked / Date | Approved / Date |
| 120-250        | 0.90               | B.Zhang<br>12-10-04                       | 12-10-04       | JJH / 12-10-04  |
| 250-500        | 1.20               |   |                |                 |