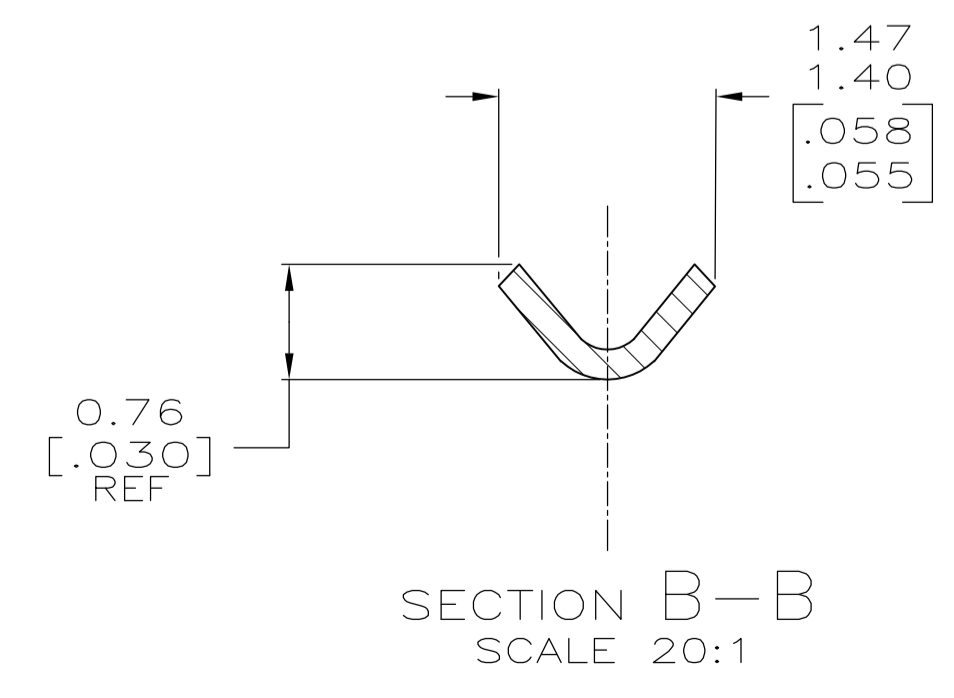
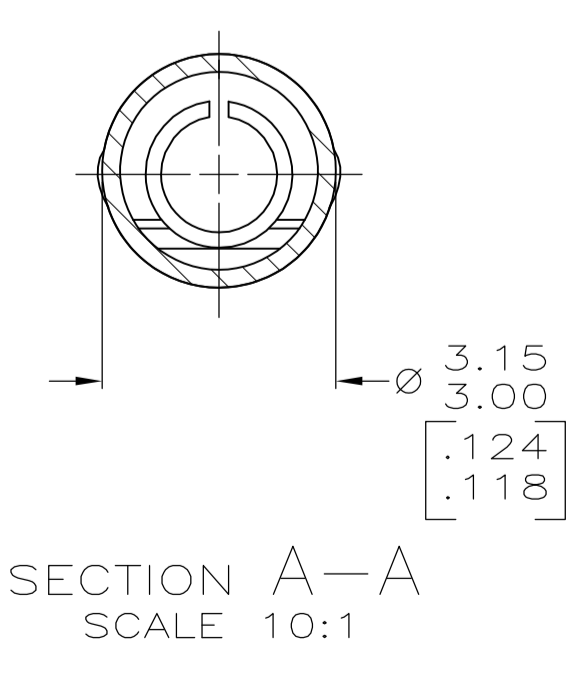
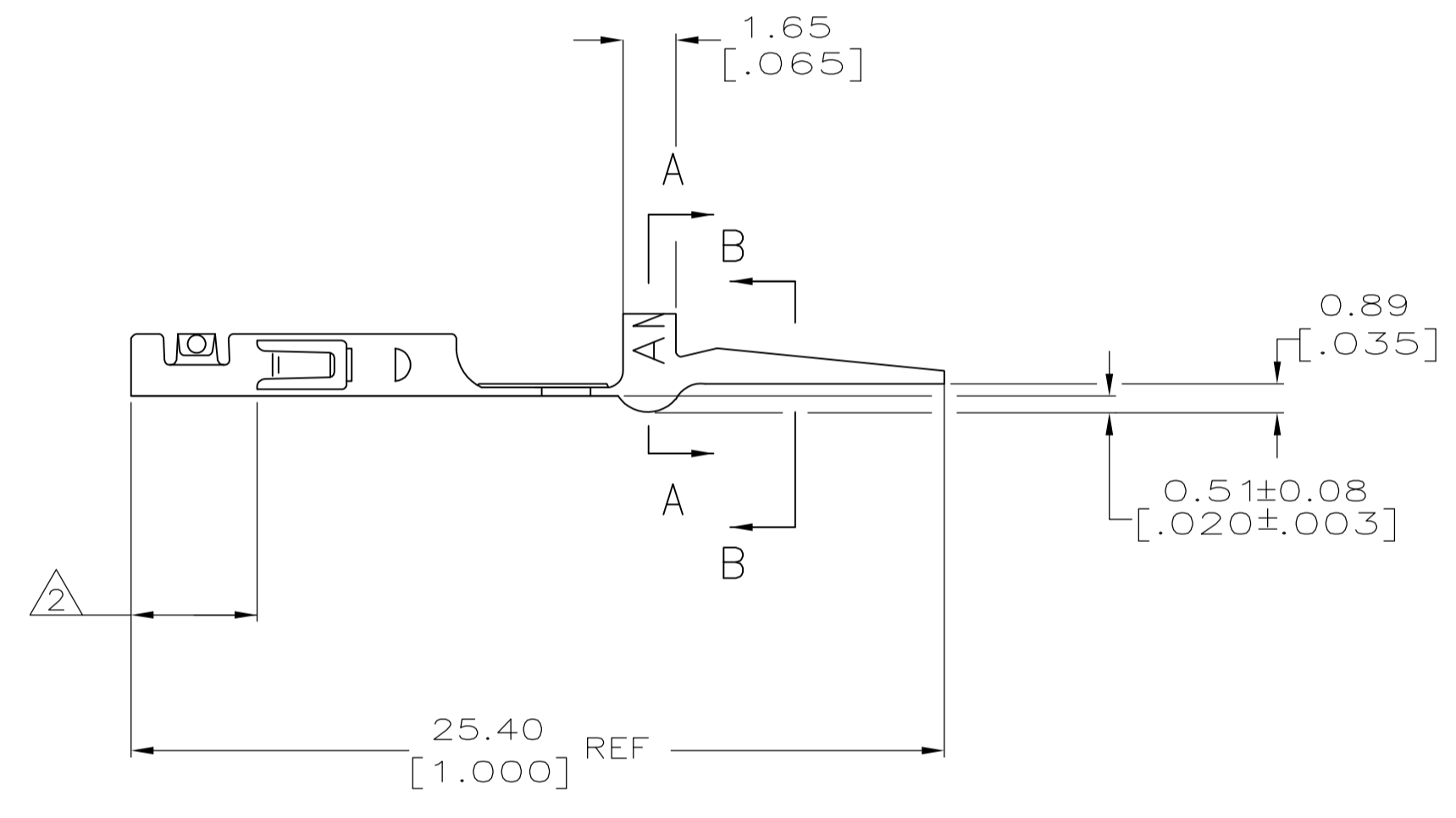
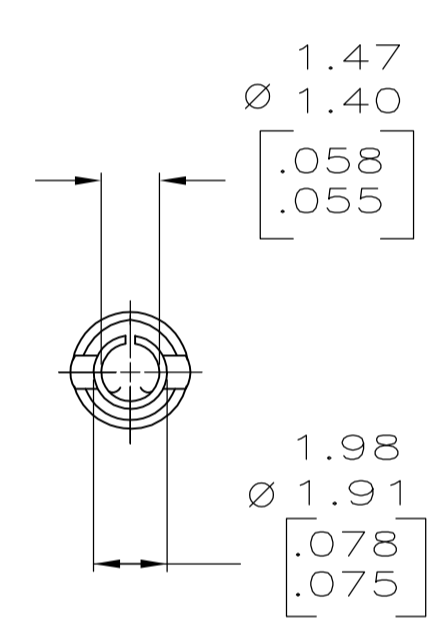


1. DIMENSIONS IN BRACKETS ARE IN INCHES.
2. 0.00076 [.000030] MIN GOLD STRIPE IN THIS AREA OVER 0.00127 [.000050] MIN NICKEL.
3. USED WITH MRI AND MRII PLUG HOUSINGS.



OBSOLETE		0.20 [.008] PHOS BRZ	350838-2
	PRE-TIN	0.20 [.008] PHOS BRZ	350838-1
	FINISH	MATERIAL	PART NO

THIS DRAWING IS A CONTROLLED DOCUMENT.		DIN K SALMON 3-21-95	TE Connectivity	
DIMENSIONS: mm[INCHES]		CHK R SWING 3-21-95		
TOLERANCES UNLESS OTHERWISE SPECIFIED:		APVD W LONG 3-21-95	NAME	
0 PLC ± -		PRODUCT SPEC		
1 PLC ± -		APPLICATION SPEC		
2 PLC ± -		SIZE		
3 PLC ± 0.13 [.005]		CAGE CODE		
4 PLC ± -		DRAWING NO		
ANGLES ± -		RESTRICTED TO		
MATERIAL SEE TABLE	FINISH SEE TABLE	WEIGHT	A1 00779 C=350838	SCALE 5:1 SHEET 1 OF 1 REV H
CUSTOMER DRAWING				