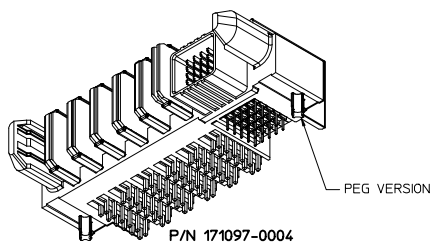
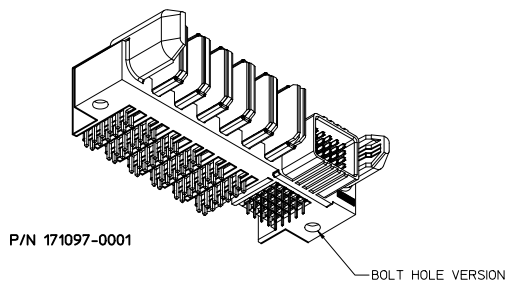
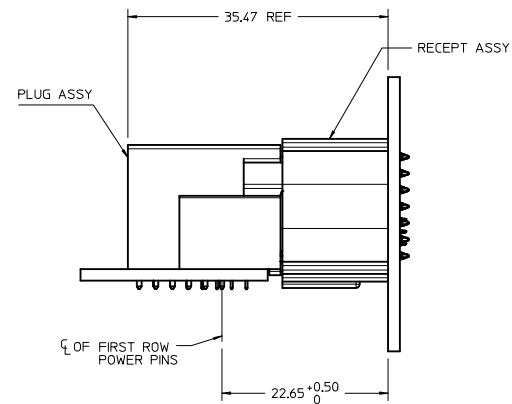


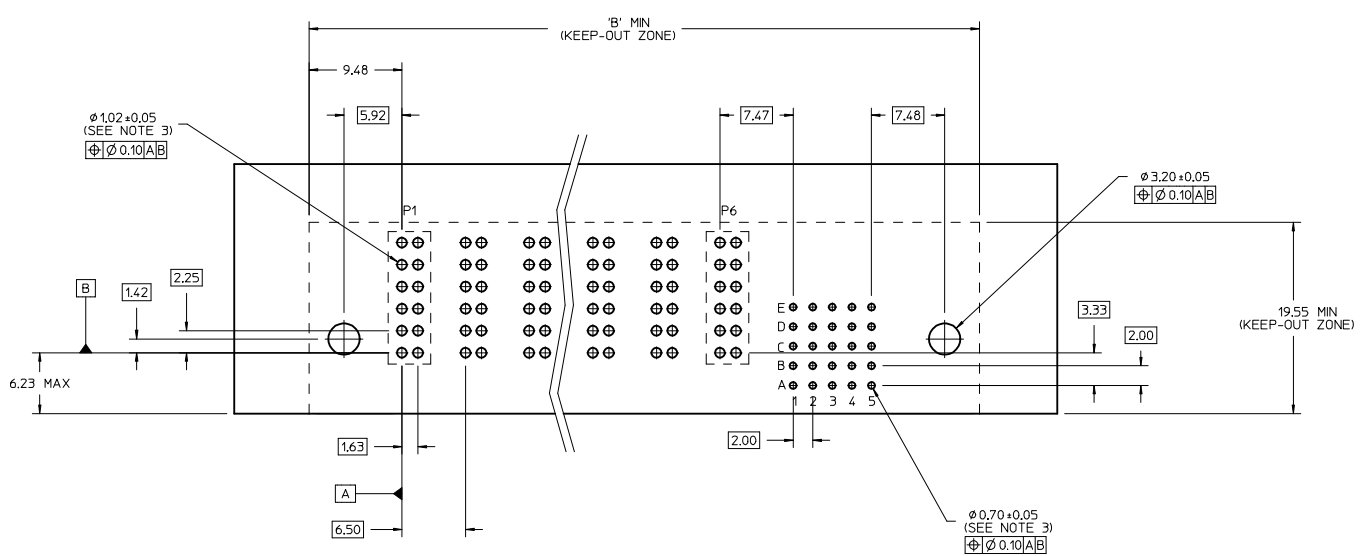
PEG DETAILS
(P/N 171097-0010 SHOWN)



ADD PK SPEC IEC NO: UCP2017-0856 DRAWN BY: CHYKOWCHAN CHECKED BY: APPR:KHLIM DATE: 2016/10/18 DATE: 2016/11/07 DATE: 2016/11/15	QUALITY SYMBOLS	GENERAL TOLERANCES (UNLESS SPECIFIED)	DIMENSION STYLE	SCALE	DESIGN UNITS	THIRD ANGLE PROJECTION	
	$\nabla=0$ $\nabla=0$ $\nabla=0$	mm INCH 4 PLACES ± --- ± --- 3 PLACES ± --- ± --- 2 PLACES ± 0.13 ± --- 1 PLACE ± 0.25 ± --- 0 PLACE ± --- ± ---	MM ONLY	3:1	METRIC	DRAWN BY: BPI SZCZOR DATE: 2013/06/13 CHECKED BY: BPI SZCZOR DATE: 2013/06/13 APPROVED BY: APATEL DATE: 2013/12/12	TITLE
		ANGULAR ±1/2°	SEE CHART			R/A PLUG ASSY STANDARD LAYOUTS ENERGETIC POWER FAMILY molex	
		DRAFT WHERE APPLICABLE MUST REMAIN WITHIN DIMENSIONS	MATERIAL NO. SD-171097-0001	DOCUMENT NO.			SHEET NO. 1 OF 2

PART NUMBER	# OF POWERS	DIM 'A'	DIM 'B'	GUIDE OPTION	TAIL TYPE	DIM 'C'	DIM 'D'	# OF SIGNALS
171097-0001	6	67.50	68.50	BOLT HOLE	SOLDERTAIL	2.71	2.74	25
171097-0002	4	54.50	55.50					
171097-0003	2	41.50	42.50					
171097-0004	6	67.50	68.50	PEGS				
171097-0005	4	54.50	55.50					
171097-0006	2	41.50	42.50					
171097-0007	6	67.50	68.50	BOLT HOLE				
171097-0008	4	54.50	55.50					
171097-0009	2	41.50	42.50					
171097-0010	6	67.50	68.50	COMPLIANT PIN		2.71	2.40	
171097-0011	4	54.50	55.50					
171097-0012	2	41.50	42.50					

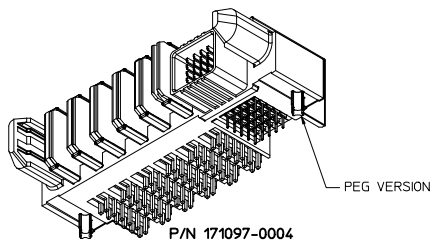
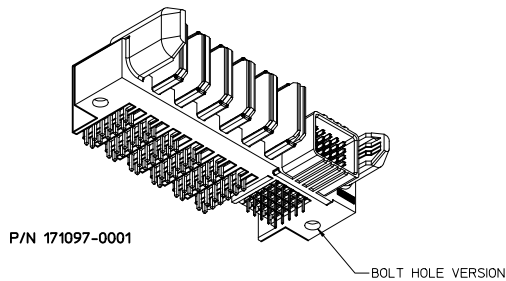
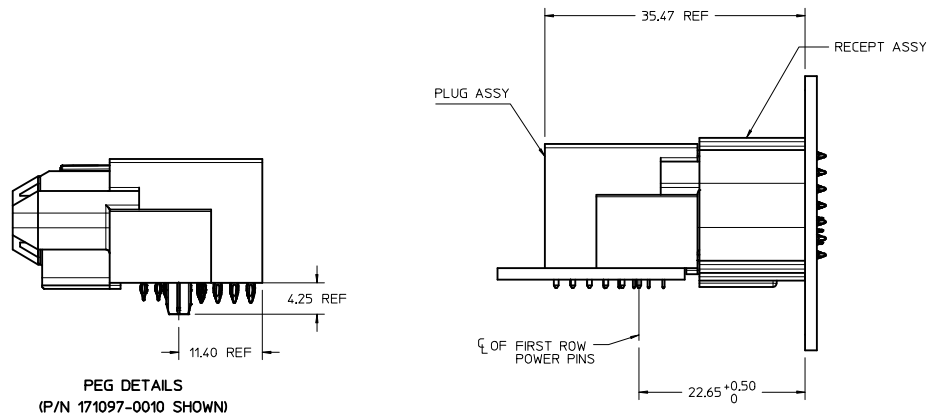
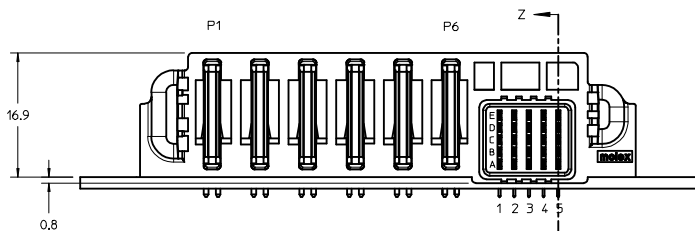
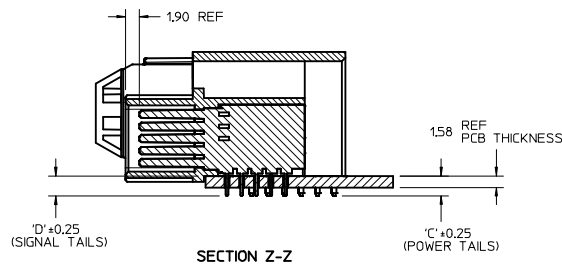
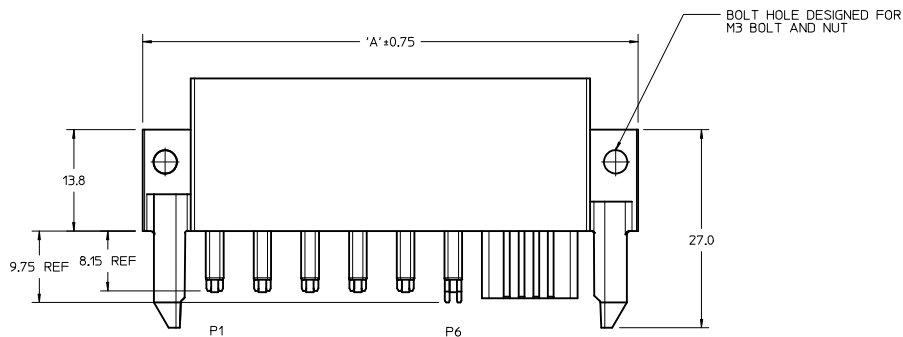
PK SPEC	# OF POWERS
PK-171097-0100	6
PK-171097-0002	4
PK-171097-0001	2



RECOMMENDED PCB LAYOUT AND KEEP-OUT ZONE
(PCB LAYOUT FOR 6P CONNECTOR SHOWN AS REFERENCE)

- NOTES:
- MATERIAL:
 - HOUSINGS: LCP UL94, V-0, COLOR : BLACK
 - TERMINALS: HIGH CONDUCTIVITY COPPER ALLOY
 - PLATING: 1.27 MICROMETER (50 MICROINCH) NICKEL OVERALL WITH 2.54 MICROMETER (100 MICROINCH) SELECTIVE TIN ON TAILS AND 0.762 MICROMETER (30 MICROINCH) SELECTIVE GOLD ON CONTACT AREA
 - PACKAGING: ASSEMBLIES TO BE TRAY PACKED PER PACKAGING SPEC; SEE TABLE
 - PLATED THRU HOLE SIZE. REFER TO PS-171097-1000 FOR DETAILS
 - PRODUCT SPEC: PS-171097-1000
 - PRODUCT TO MEET RoHS REQUIREMENTS
 - FOR MATING PARTS SEE MOLEX RECEPTACLE SD-171098-0001
 - TAIL DESIGN: SEE CHART
 - SIGNAL & POWER CONTACTS ARE LUBRICATED
 - APPLICATION SPEC: AS-171097-0001

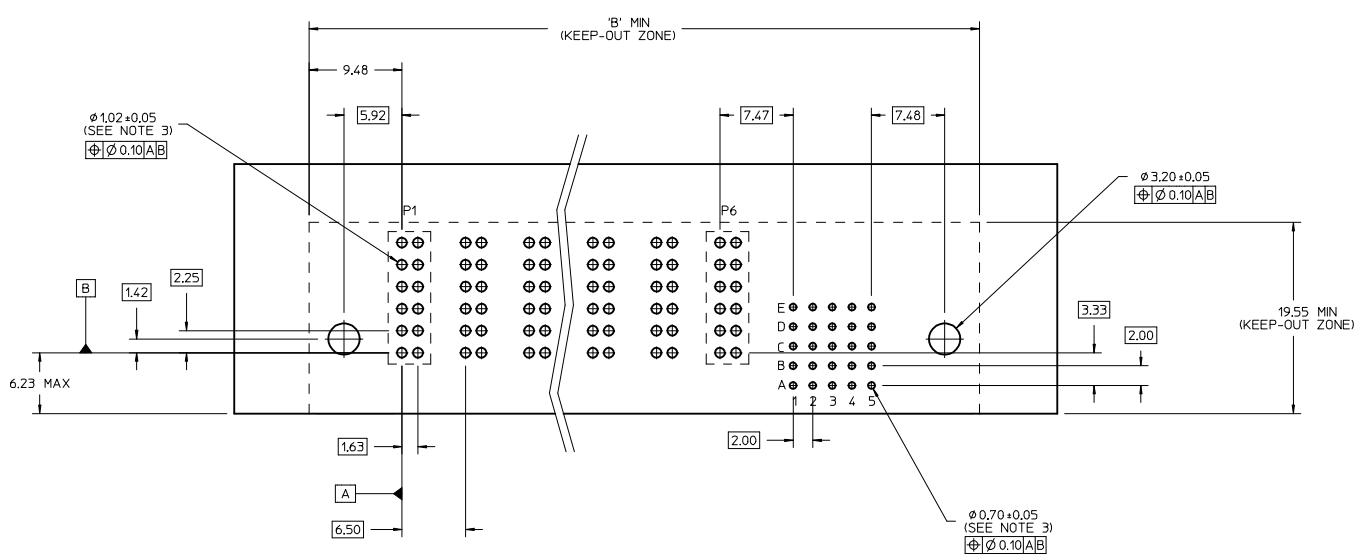
ADD PK SPEC IEC NO. UICP2017-0856 DRAWN: CGH 2016/10/18 CHECKED: MCHAN 2016/11/07 APPR: KHLIM 2016/11/15	QUALITY SYMBOLS ▽=0 ▽=0 ▽=0	GENERAL TOLERANCES (UNLESS SPECIFIED) <table border="1"> <thead> <tr> <th></th> <th>mm</th> <th>INCH</th> </tr> </thead> <tbody> <tr> <td>4 PLACES</td> <td>±---</td> <td>±---</td> </tr> <tr> <td>3 PLACES</td> <td>±---</td> <td>±---</td> </tr> <tr> <td>2 PLACES</td> <td>±0.13</td> <td>±---</td> </tr> <tr> <td>1 PLACE</td> <td>±0.25</td> <td>±---</td> </tr> <tr> <td>0 PLACE</td> <td>±---</td> <td>±---</td> </tr> </tbody> </table>			mm	INCH	4 PLACES	±---	±---	3 PLACES	±---	±---	2 PLACES	±0.13	±---	1 PLACE	±0.25	±---	0 PLACE	±---	±---	DIMENSION STYLE MM ONLY	SCALE 4:1	DESIGN UNITS METRIC	THIRD ANGLE PROJECTION
			mm	INCH																					
4 PLACES	±---	±---																							
3 PLACES	±---	±---																							
2 PLACES	±0.13	±---																							
1 PLACE	±0.25	±---																							
0 PLACE	±---	±---																							
DRAFT WHERE APPLICABLE MUST REMAIN WITHIN DIMENSIONS		MATERIAL NO. SEE CHART	DATE 2013/06/13	DATE 2013/06/13	DATE 2013/12/12	TITLE R/A PLUG ASSY STANDARD LAYOUTS ENERGETIC POWER FAMILY 																			
		DOCUMENT NO. SD-171097-0001		SHEET NO. 2 OF 2		THIS DRAWING CONTAINS INFORMATION THAT IS PROPRIETARY TO MOLEX INCORPORATED AND SHOULD NOT BE USED WITHOUT WRITTEN PERMISSION																			



ADD PK SPEC IEC NO: UCP2017-0856 DRAWN BY: CHYKOWCHAN CHECKED BY: APPR:KHLIM DATE: 2016/10/18 DATE: 2016/11/07 DATE: 2016/11/15	QUALITY SYMBOLS	GENERAL TOLERANCES (UNLESS SPECIFIED)	DIMENSION STYLE	SCALE	DESIGN UNITS	THIRD ANGLE PROJECTION
	▽=0	mm INCH	MM ONLY	3:1	METRIC	☉
	▽=0	4 PLACES ± --- ± ---	DRAWN BY DATE	TITLE		
	▽=0	3 PLACES ± 0.13 ± ---	BPI SZCZOR 2013/06/13	R/A PLUG ASSY STANDARD LAYOUTS ENERGETIC POWER FAMILY		
	1 PLACE ± 0.25 ± ---	APPROVED BY DATE	DOCUMENT NO.			SHEET NO.
	0 PLACE ± --- ± ---	APATEL 2013/12/12	SD-171097-0001			1 OF 2
	ANGULAR ±1/2°	MATERIAL NO.	SEE CHART			
	DRAFT WHERE APPLICABLE MUST REMAIN WITHIN DIMENSIONS	SIZE	THIS DRAWING CONTAINS INFORMATION THAT IS PROPRIETARY TO MOLEX INCORPORATED AND SHOULD NOT BE USED WITHOUT WRITTEN PERMISSION			

PART NUMBER	# OF POWERS	DIM 'A'	DIM 'B'	GUIDE OPTION	TAIL TYPE	DIM 'C'	DIM 'D'	# OF SIGNALS
171097-0001	6	67.50	68.50	BOLT HOLE	SOLDERTAIL	2.71	2.74	25
171097-0002	4	54.50	55.50					
171097-0003	2	41.50	42.50					
171097-0004	6	67.50	68.50	PEGS				
171097-0005	4	54.50	55.50					
171097-0006	2	41.50	42.50					
171097-0007	6	67.50	68.50	BOLT HOLE				
171097-0008	4	54.50	55.50					
171097-0009	2	41.50	42.50					
171097-0010	6	67.50	68.50	COMPLIANT PIN		2.71	2.40	
171097-0011	4	54.50	55.50					
171097-0012	2	41.50	42.50					

PK SPEC	# OF POWERS
PK-171097-0100	6
PK-171097-0002	4
PK-171097-0001	2



RECOMMENDED PCB LAYOUT AND KEEP-OUT ZONE
(PCB LAYOUT FOR 6P CONNECTOR SHOWN AS REFERENCE)

- NOTES:
- MATERIAL:
 - HOUSINGS: LCP UL94, V-0, COLOR : BLACK
 - TERMINALS: HIGH CONDUCTIVITY COPPER ALLOY
 - PLATING: 1.27 MICROMETER (50 MICROINCH) NICKEL OVERALL WITH 2.54 MICROMETER (100 MICROINCH) SELECTIVE TIN ON TAILS AND 0.762 MICROMETER (30 MICROINCH) SELECTIVE GOLD ON CONTACT AREA
 - PACKAGING: ASSEMBLIES TO BE TRAY PACKED PER PACKAGING SPEC; SEE TABLE
 - PLATED THRU HOLE SIZE. REFER TO PS-171097-1000 FOR DETAILS
 - PRODUCT SPEC: PS-171097-1000
 - PRODUCT TO MEET RoHS REQUIREMENTS
 - FOR MATING PARTS SEE MOLEX RECEPTACLE SD-171098-0001
 - TAIL DESIGN: SEE CHART
 - SIGNAL & POWER CONTACTS ARE LUBRICATED
 - APPLICATION SPEC: AS-171097-0001

ADD PK SPEC IEC NO. UICP2017-0856 DRAWN: CGH 2016/10/18 CHECKED: MCHAN 2016/11/07 APPR: KHLIM 2016/11/15	QUALITY SYMBOLS ▽=0 ▽=0 ▽=0	GENERAL TOLERANCES (UNLESS SPECIFIED)		DIMENSION STYLE MM ONLY	SCALE 4:1	DESIGN UNITS METRIC	THIRD ANGLE PROJECTION	
		4 PLACES ±--- ±--- 3 PLACES ±--- ±--- 2 PLACES ±0.13 ±--- 1 PLACE ±0.25 ±--- 0 PLACE ±--- ±---	mm INCH	DRAWN BY BPI SZCZOR 2013/06/13	DATE 2013/06/13	R/A PLUG ASSY STANDARD LAYOUTS ENERGETIC POWER FAMILY 		
DRAFT WHERE APPLICABLE MUST REMAIN WITHIN DIMENSIONS		ANGULAR ±1/2°		MATERIAL NO. SEE CHART	APPROVED BY APATEL 2013/12/12	DATE 2013/12/12	DOCUMENT NO. SD-171097-0001	SHEET NO. 2 OF 2