

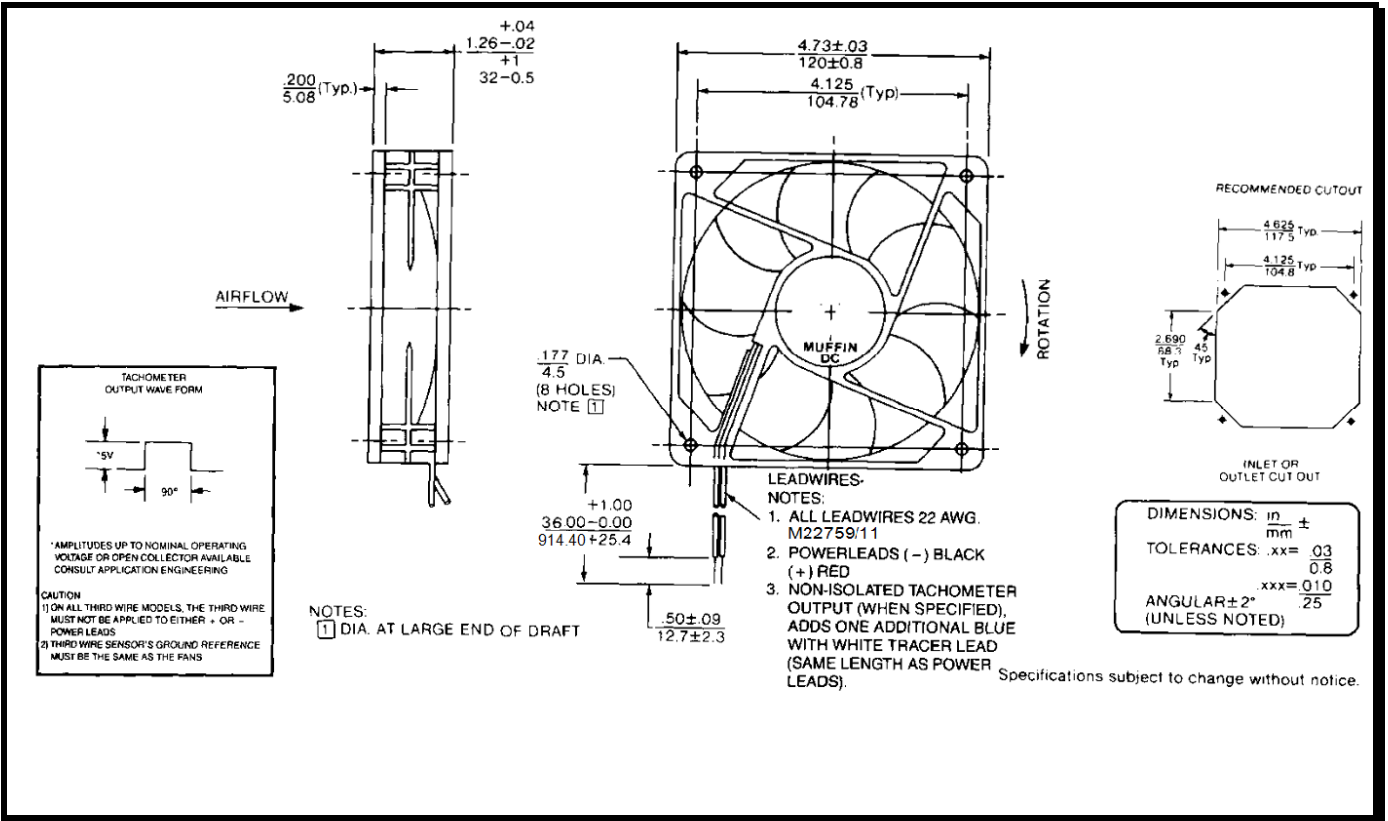
SPECIFICATIONS



Model Number: MC24B3NDN
Part Number: 040433
SPEC Number: 26008994A Rev:03

Feb 15, 2011

Mechanical Drawing:



Motor:

Nominal Voltage	= 24 vdc
Operating Voltage Range	= 12- 28 vdc
Nominal Running Current	= 0.230 amps
Locked Rotor Current	= 0.830 amps
Running Power	= 5.5 watts
Average Speed	= 3700 RPM
Bearings	= Ball
Air Flow	= 102 cfm
Acoustic	= 47.8 dBA

Construction:

Venturi: Plastic, Black, UL 94V-0
 Propeller: Plastic, Black, UL 94V-0

Life Expectancy:

This fan is designed for continuous duty life of 78,000 hours at 40°C.

Agency Approvals:

UL

Additional Features:

Brushless DC Motor
 Polarity Protected.
 Locked Rotor Protection.
 Automatic Restart Capability
 Operating Temperature: -10°C to 70°C
 Storage Temperature: -40°C to 85°C

Fan Performance Sensor (FPS)

Output	Open Collector
I _c	20 mA max
V _{ce}	28 vdc max
Isolated	No
Logic Level	Low on Pass, High on Fail
Delay	10 +/- 4 seconds
Latch	None
Trip point	1900 +/- 300 RPM

Termination:

36" Lead wires, 22 AWG, M22759/11
 Red - Power (+)
 Black - Return (-)
 Blue - FPS