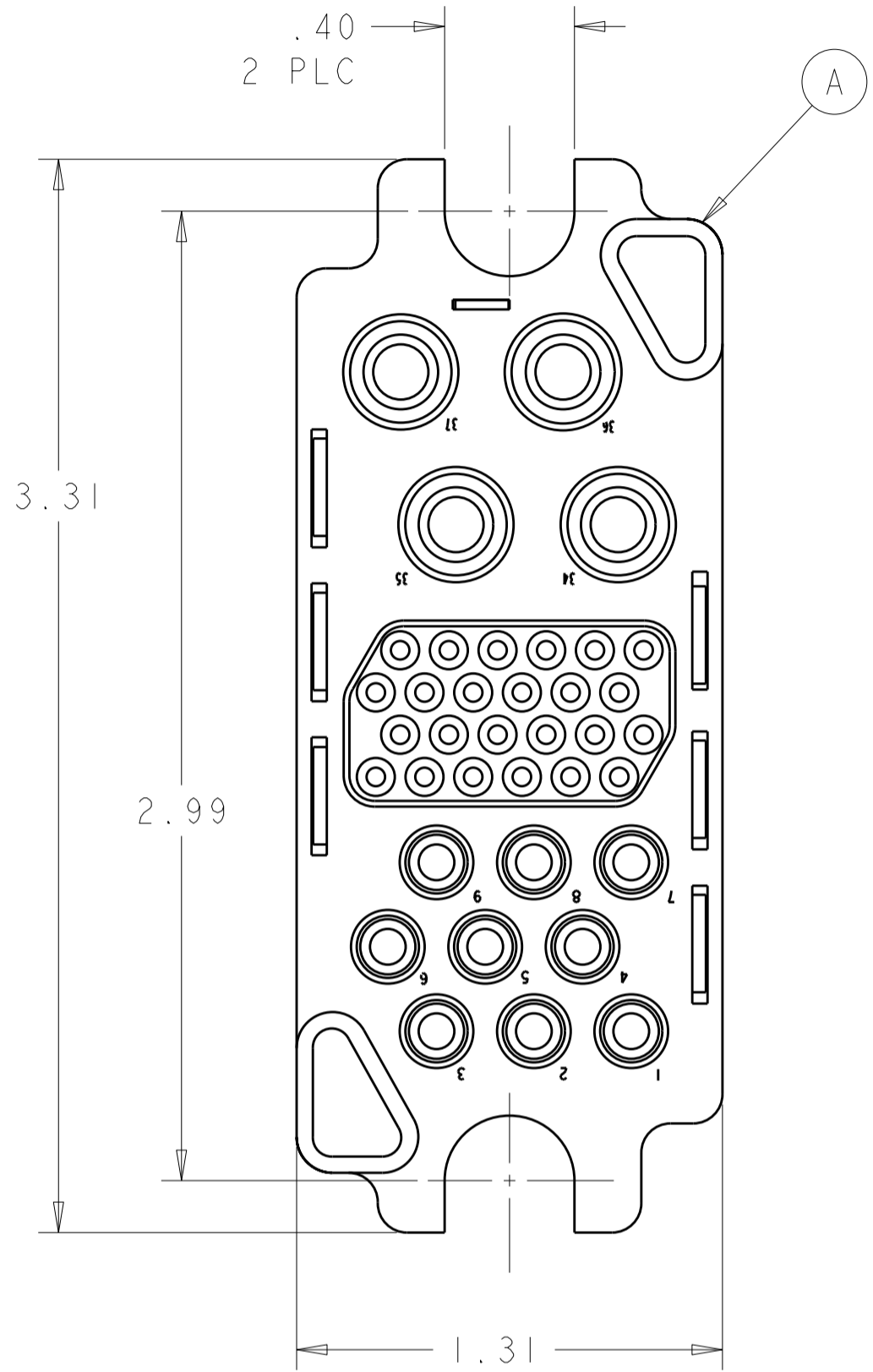
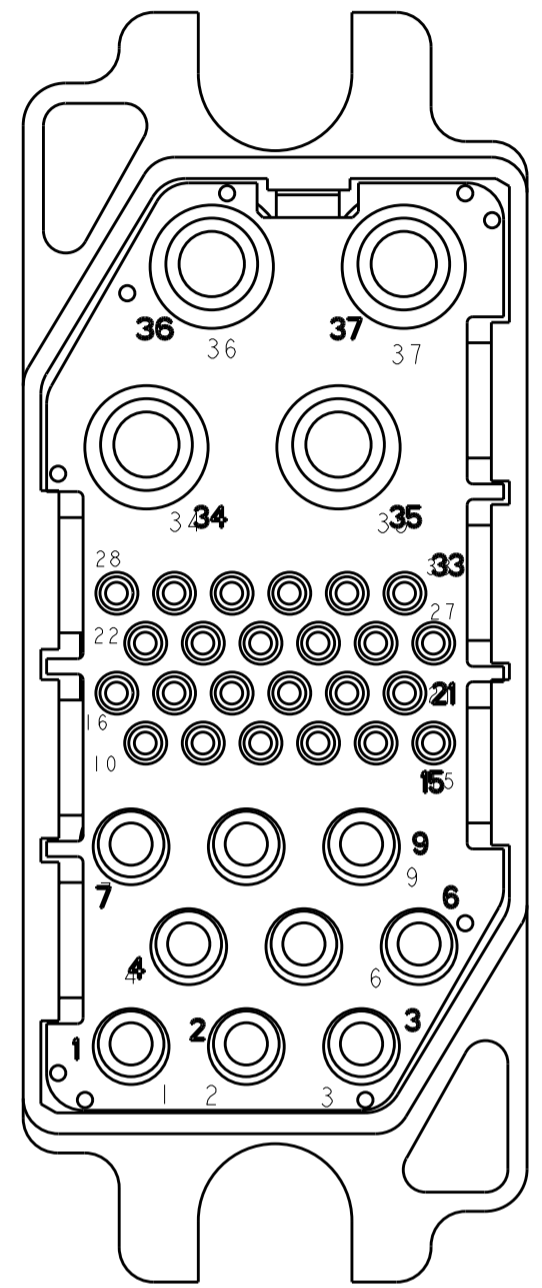
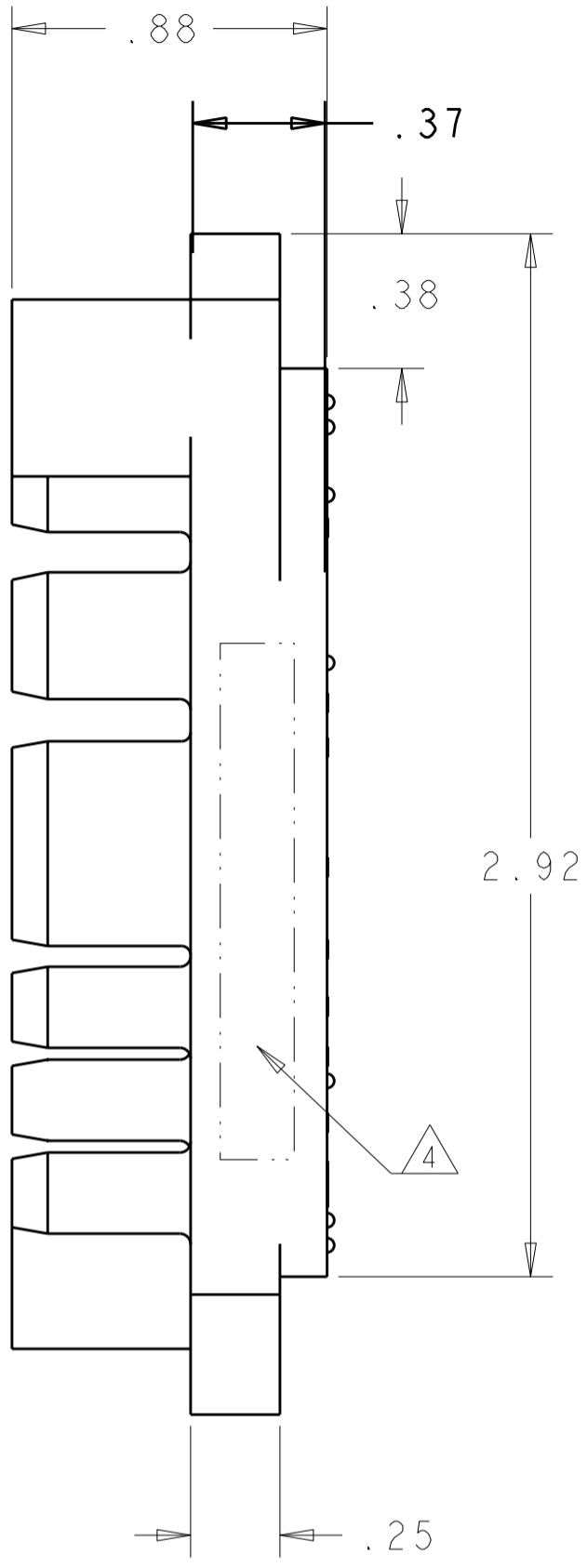


THIS DRAWING IS UNPUBLISHED. RELEASED FOR PUBLICATION 20  
 © COPYRIGHT 20 BY TYCO ELECTRONICS CORPORATION. ALL RIGHTS RESERVED.

LOC	DIST	REVISIONS					
GP	00	P	LTR	DESCRIPTION	DATE	DWN	APVD
		A		RELEASED	05APR06	RG	MP
		B		REV PER ECO-08-024926	09OCT2008	CR	DO



FRONT VIEW



REAR VIEW

SOCKET CONTACT, (B)  
 SIZE #8

SOCKET CONTACT, (C)  
 SIZE #20

SOCKET CONTACT, (D) (E)  
 SIZE #12

△5	F	2	1650402-1	SCREW, #8-32 THD.
△5	E	8	6648318-1	CONTACT, SOCKET, SIZE #12, CRIMP
△5	D	1	1648384-1	CONTACT, SOCKET, SIZE #12, CRIMP, HOT PLUG
△5	C	24	1648325-1	CONTACT, SOCKET, SIZE #20, CRIMP
△5	B	4	6648317-1	CONTACT, SOCKET, SIZE #8, CRIMP
	A	1	1648168-2	HOUSING, SOCKET, FLOAT MOUNT
	ITEM	-1	PART NUMBER	DESCRIPTION

**ELCON DRAWER**

<small>THIS DRAWING IS A CONTROLLED DOCUMENT FOR TYCO ELECTRONICS CORPORATION. IT IS SUBJECT TO CHANGE AND THE CONTROLLING ENGINEERING ORGANIZATION SHOULD BE CONTACTED FOR THE LATEST REVISION.</small>		DWN R.GRZYBOWSKI 05APR06 CHK S.FLICKINGER 05APR06 APVD S.FLICKINGER 05APR06	<b>tyco</b> Tyco Electronics Harrisburg, PA 17105-3608
DIMENSIONS: INCHES 	TOLERANCES UNLESS OTHERWISE SPECIFIED: 0 PLC ± 1 PLC ± 2 PLC ±.02 3 PLC ±.010 4 PLC ±0.0005 ANGLES ±.5 FINISH	PRODUCT SPEC APPLICATION SPEC WEIGHT	NAME CONNECTOR, SOCKET 75 AMP MIDDLE DRAWER
MATERIAL		CUSTOMER DRAWING	SIZE A2 CAGE CODE 00779 DRAWING NO. C-1926126 RESTRICTED TO
		SCALE 4:1	SHEET 1 OF 2 REV B

