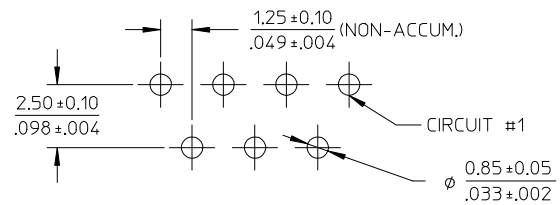
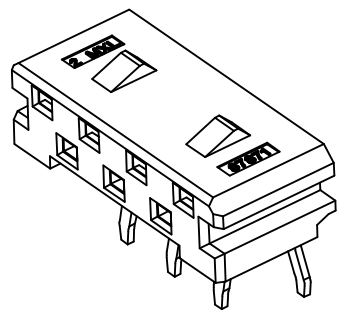
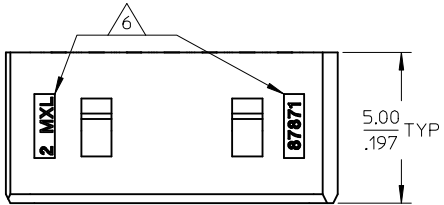
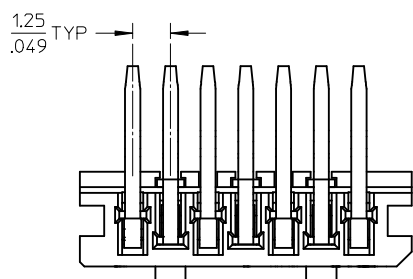


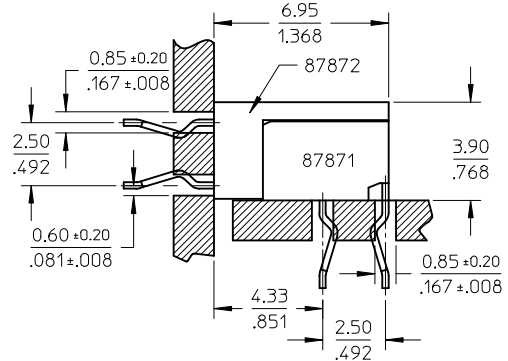
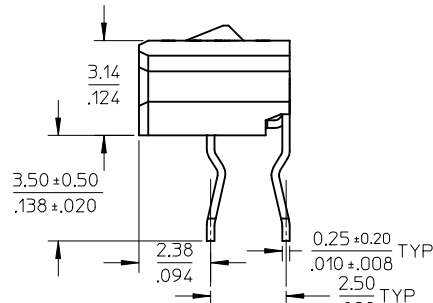
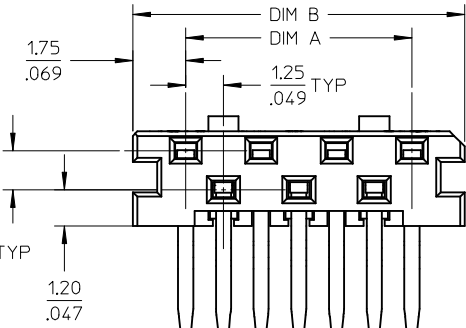
10 9 8 7 6 5 4 3 2 1

PART NUMBER IN T&R	PART NUMBER IN TUBE	CKT SIZE	DIM A	DIM B
— # —	87871-2203	3	2.5	6.0
— # —	87871-2205	5	5.0	8.5
— # —	87871-2207	7	7.5	11.0
87871-2409	87871-2209	9	10.0	13.5
— # —	87871-2211	11	12.5	16.0
— # —	87871-2213	13	15.0	18.5
— # —	87871-2215	15	17.5	21.0
— # —	87871-2217	17	20.0	23.5
— # —	87871-2219	19	22.5	26.0
— # —	87871-2221	21	25.0	28.5



**RECOMMENDED PCB LAYOUT
(BOARD THICKNESS : 1.6MM)**

- NOTES
- MATERIAL : HOUSING - HIGH TEMP THERMOPLASTIC, GLASS FILLED, UL94 V-0, COLOR : NATURAL
TERMINAL - PHOSPHOR BRONZE
 - FINISHES : TERMINAL - TIN OVERALL
THICKNESS=3.0 MICROMETER/118 MICROINCH MINIMUM
 - PRODUCT SPECIFICATION : PS-87871-006
 - PART MATEABLE TO 87872-11**
 - PARTS ARE PACKED IN TUBE.
 - PART NUMBER & CAVITY IDENTIFICATION NUMBER



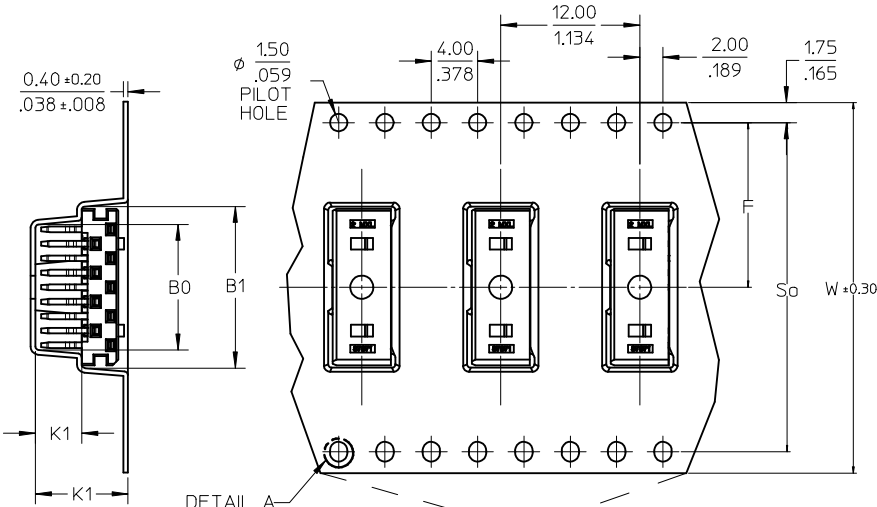
REVISED EC NO: J2016-0892 DRWNYI SHIDA 2016/02/22 CHYKD: TANAKA03 2016/02/22 APPR: KYORI KAWA 2016/02/29 A3	GENERAL TOLERANCES (UNLESS SPECIFIED)		DIMENSION STYLE		SCALE	DESIGN UNITS	THIRD ANGLE PROJECTION SALES, ZIGZAG, 1.25MM BTB, RECEPTACLE WITH FRICTION LOCK (LEADFREE) molex DOCUMENT NO. SD-87871-001 SHEET NO. 1 OF 2
	0.25 UNDER ±0.03		MM/IN		NTS	METRIC	
	0.25 OVER 0.5 UNDER ±0.05		DRAWN BY DATE		TITLE		
	0.5 OVER 1.0 UNDER ±0.1		BHLW 2004/03/03		SALES, ZIGZAG, 1.25MM BTB, RECEPTACLE WITH FRICTION LOCK (LEADFREE)		
1.0 OVER 10 UNDER ±0.2		CHECKED BY DATE		APPROVED BY DATE			
10 OVER 30 UNDER ±0.25		PTLIM 2004/04/14		SCLOW 2004/04/14			
30 OVER ±0.20		APPROVED BY DATE		MATERIAL NO.			
ANGULAR ±3 °		SEE TABLE		DOCUMENT NO.			
DRAFT WHERE APPLICABLE MUST REMAIN WITHIN DIMENSIONS		SIZE A3		THIS DRAWING CONTAINS INFORMATION THAT IS PROPRIETARY TO MOLEX ELECTRONIC TECHNOLOGIES, LLC AND SHOULD NOT BE USED WITHOUT WRITTEN PERMISSION			

9 8 7 6 5 4 3 2 1

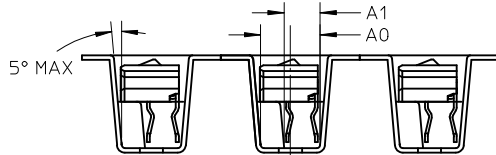
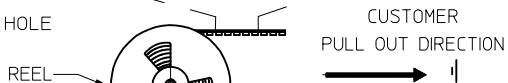
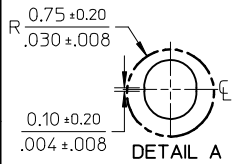
10 9 8 7 6 5 4 3 2 1

P/N IN T&R	CKT SIZE	W	F	B1	B0	S0	A1	A0	K1	K0	TYPE
87871-2409	9	32	14.20	10.80	13.90	28.4	3.10	5.10	4.00	8.00	B

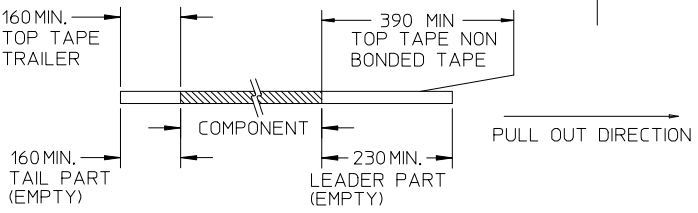
EMBOSSED CARRIER TYPE 'B'



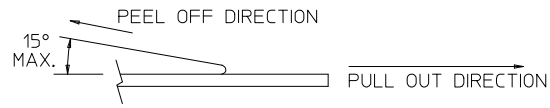
DETAIL A
ELONGATED HOLE



- NOTES:
1. LEADER AND TRAILER TAPE

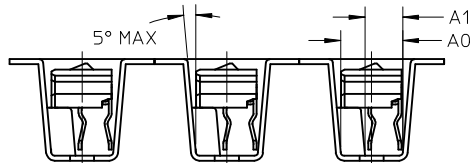
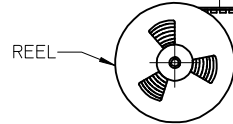
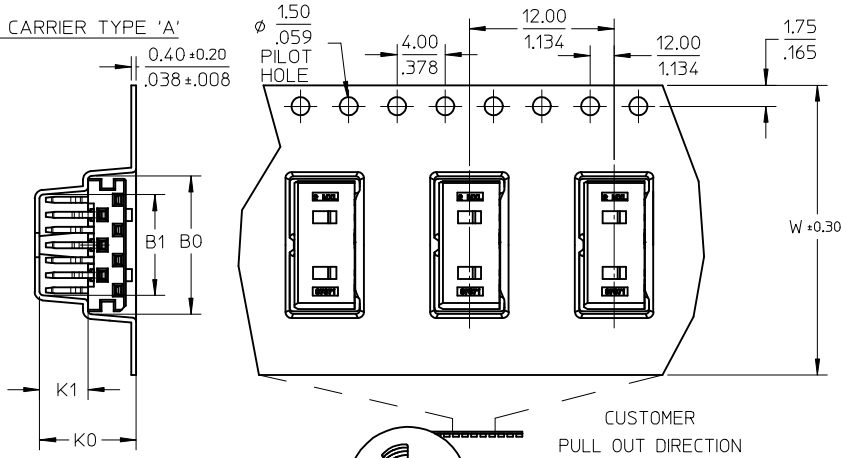


2. PEELING OFF FORCE OF THE TOP TAPE: 20 - 80gf.
(PEELING DIRECTION AS SHOWN IN FOLLOWING FIGURE)



3. TAPE AND REEL SPECIFICATION IS AS PER EIA-481.
4. THE TAPE IS TREATED FOR ANTI-STATIC.

EMBOSSED CARRIER TYPE 'A'



REVISED EC NO: J2016-0892 DRWNYI SHIDA 2016/02/22 CHKD:KTAKA03 2016/02/22 APPR:KMORIKAWA 2016/02/29	GENERAL TOLERANCES (UNLESS SPECIFIED)		DIMENSION STYLE		SCALE	DESIGN UNITS	THIRD ANGLE PROJECTION
	0.25 UNDER ±0.03		MM/IN		NTS	METRIC	
	0.25 OVER 0.5 UNDER ±0.05		DRAWN BY		TITLE		SALES, ZIGZAG, 1.25MM BTB, RECEPTACLE WITH FRICTION LOCK (LEADFREE)
	0.5 OVER 1.0 UNDER ±0.1		DATE		DATE		
	1.0 OVER 10 UNDER ±0.2		BHLW 2004/03/03		PTLIM 2004/04/14		
10 OVER 30 UNDER ±0.25		CHECKED BY		DATE			
30 OVER ±0.20		APPROVED BY		DATE		molex SD-87871-001	
ANGULAR ±3 °		SCLW 2004/04/14		MATERIAL NO.			
DRAFT WHERE APPLICABLE MUST REMAIN WITHIN DIMENSIONS		SIZE		DOCUMENT NO.		SHEET NO.	
A3		A3		SEE TABLE		2 OF 2	

9 8 7 6 5 4 3 2 1