



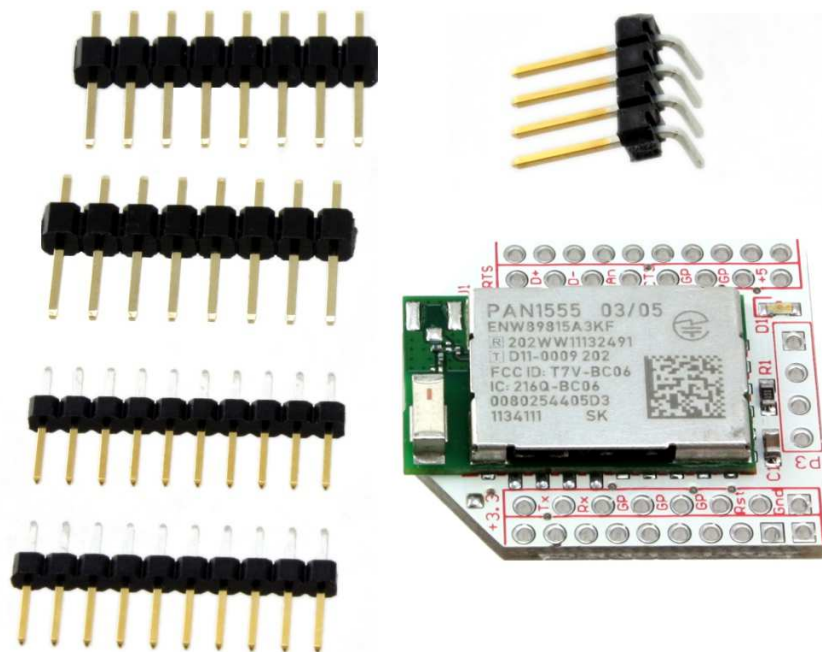
# DKSB1013A

## PAN1555 Evaluation Board

14 February 2012

### Features

- PAN1555 Bluetooth v2.0 class 2 module with SPP (Serial Port Profile)
- Header locations for solderless breadboard, XBee® socket, or 4-pin header for essential signals.
- Pin and geometry compatible with XBee® modules, including pins for 3VDC, Ground, Tx, Rx, CTS, RTS, Reset, and select ADC and GPIO signals
- Optional linear regulator (MCP1700T-3302E/TT) to allow up to a 6VDC supply on header P3



### Quick Start

1. Solder either the 4-position 0.100", the two 10-position 0.100", or the two 2mm pitch headers to the bottom of the PCB.
2. Connect the breakout board's Ground, 3.3VDC, Tx, and Rx lines to your target.
3. Power on the module and begin the pairing process with your host device (PC, Android, etc.)
4. The device name is **BlueMod+P2x/G2 05:D3** where **05:D3** is the last four characters of the MAC address of the PAN1555. The MAC address is seventh line of text on the PAN1555.
5. If prompted, the Bluetooth pass code is 0000 (four zeros).
6. Begin serial data transmissions with your target device as if a serial cable is connected.

## Functional Description

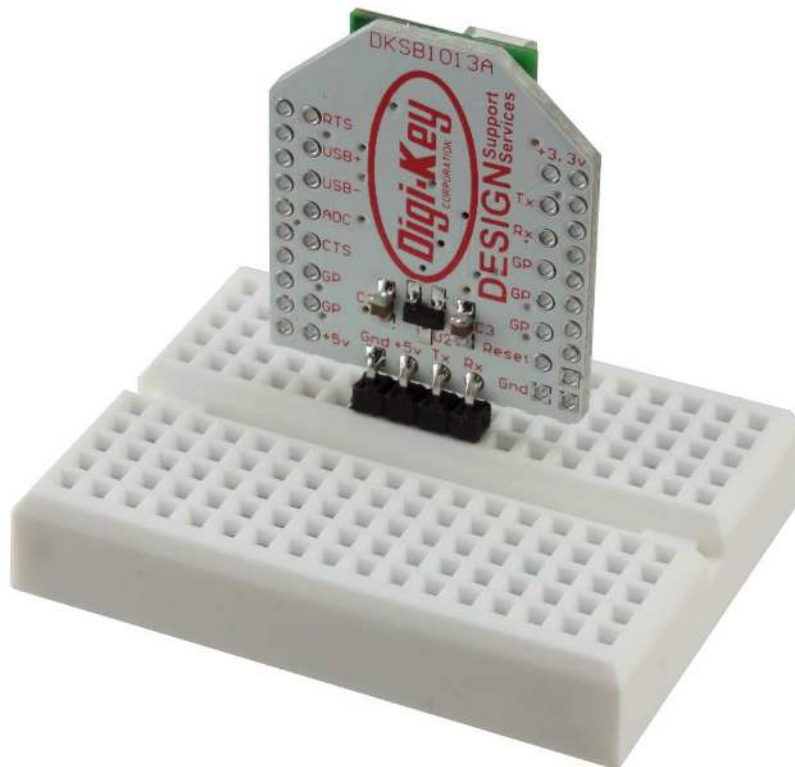
The DKSB1013A breakout board allows evaluation the PAN1555 Bluetooth module without soldering the module to your target PCB. It also adds Bluetooth communication or control to devices that are designed around XBee<sup>®</sup> modules from Digi. The 2mm header positions are pin and geometrically compatible with XBee<sup>®</sup> modules for the following signals and pins:

- 3.3VDC (pin 1) and ground (pin 10)
- Tx (data out, pin 2) and Rx (data in, pin 3)
- CTS (pin 12) and RTS (pin 16)
- Reset (pin 5)
- Analog input (pin 17)
- GPIO (pins 4, 6, 7, 11, and 15)

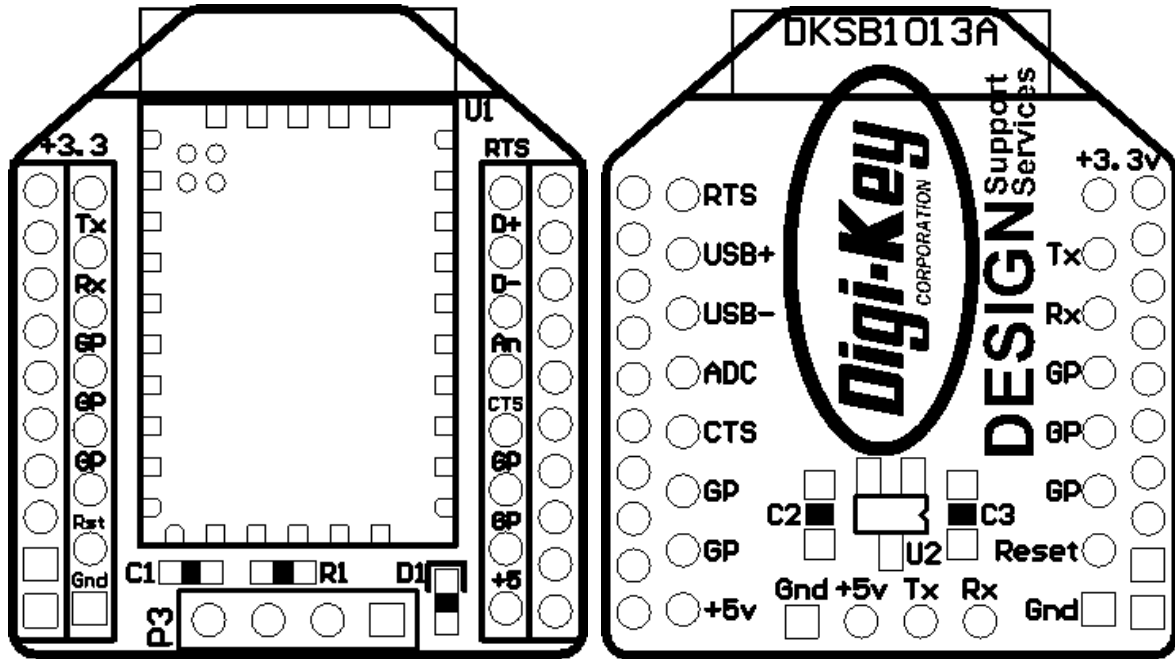
The LED D1 flashes when the unit is powered on, and is lit when a serial link is established (not when the unit is paired). For more information, please see the PAN1555 datasheet.

C2, C3, and U2 are intentionally unpopulated, as they are not needed when using the DKSB1013A as a drop-in replacement for an XBee<sup>®</sup> module. To use a five-volt supply on header P3, purchase and solder to the PCB an MCP1700T3302ETT voltage regulator and two 1uF ceramic 0805 capacitors (for example, Digi-Key part number 445-3463-1-ND).

The four-pin header P3 includes the four essential signals for the PAN1555. These signals are: Ground, 5VDC, Tx, and Rx. The included four pin header is intended for use in a solderless breadboard. Note that components C2, C3, and U2 have been added in the photo below.

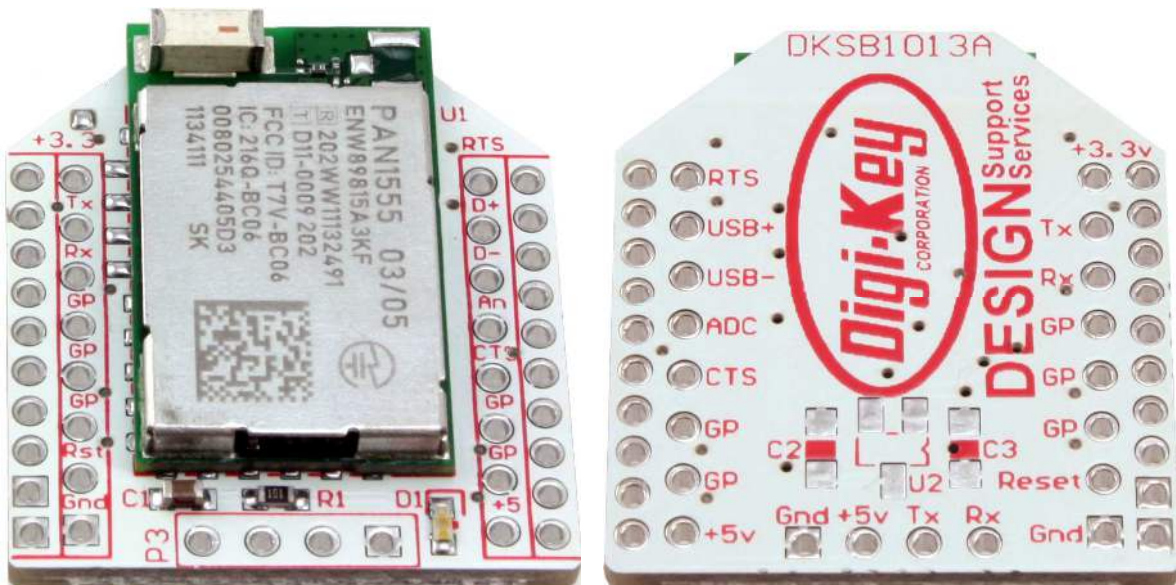


## Layout

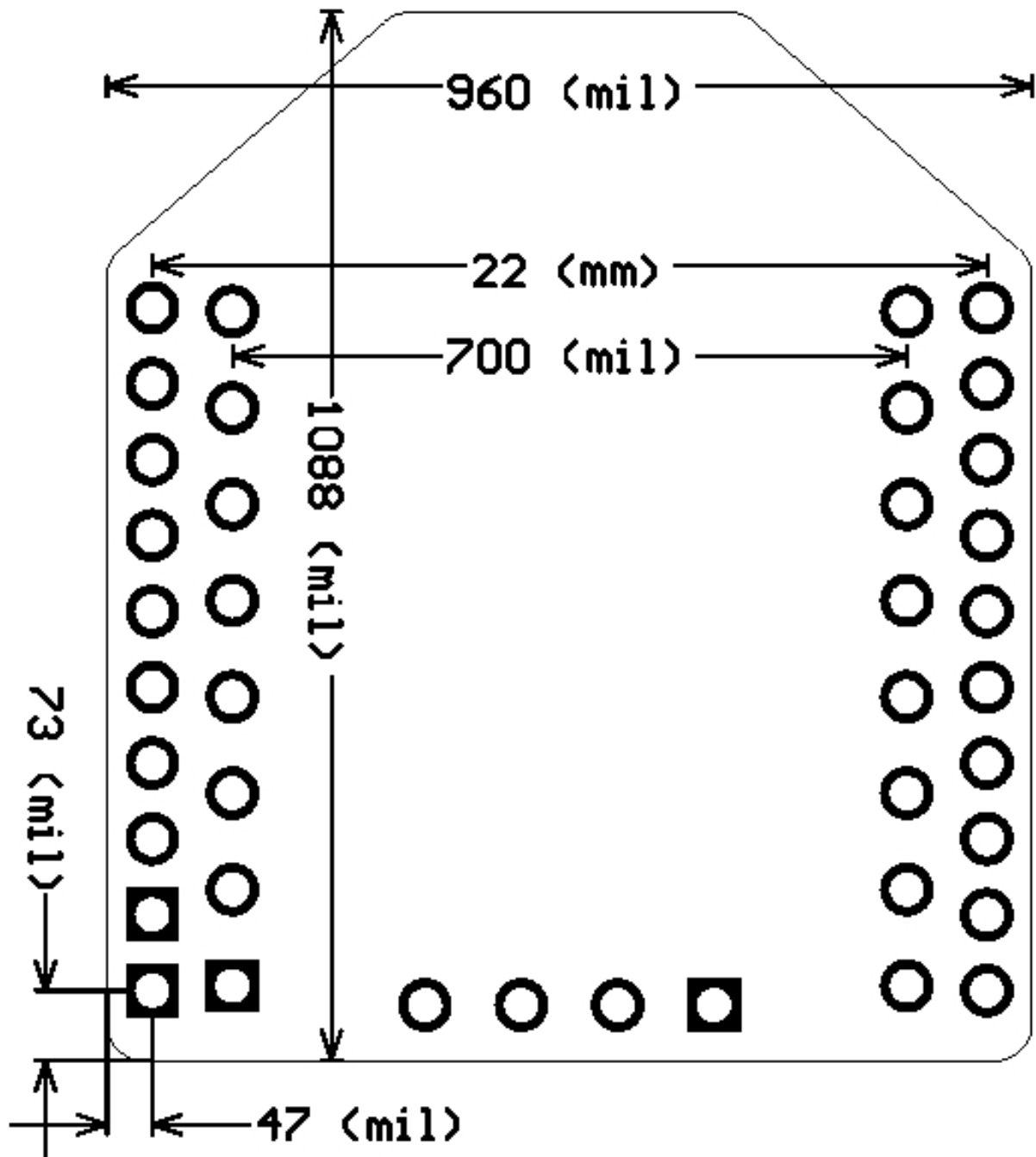


Top View

Bottom View



## Dimensions

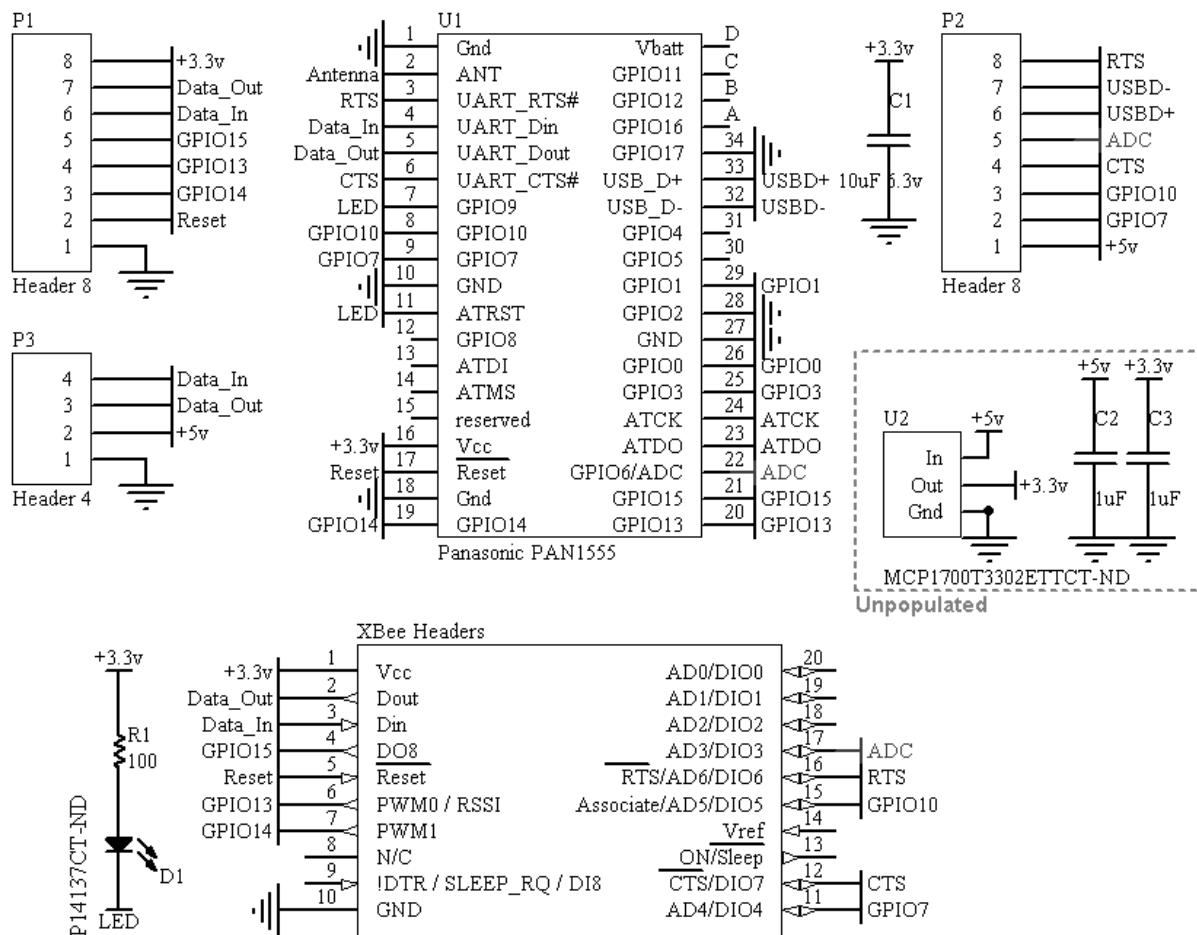


## Bill of Materials

Part	Digi-Key Part Number	Description	Mfg Part Number
C1	445-3448-1-ND	CAP CER 10UF 6.3V Y5V 0603	C1608Y5V0J106Z
D1	P14137CT-ND	LED BLUE HIGH BRIGHT ESS SMD	LNJ936W8CRA
R1	P100GCT-ND	RES 100 OHM 1/10W 5% 0603 SMD	ERJ-3GEYJ101V
U1	P14521CT-ND	MODULE BLUETOOTH V2.0 SPP W/ANT	ENW-89815A3KF
P1, P2	3M9452-ND	CONN HEADER VERT SGL 8POS GOLD	961108-6404-AR
P3	3M9469-ND	CONN HEADER R/A SGL 4POS GOLD	961104-5604-AR
XBee	3M9329-ND	CONN HEADER 10POS 2MM VERT T/H	951110-8622-AR
C2*, C3*	445-3463-1-ND	CAP CER 1UF 50V Y5V 0805	C2012Y5V1H105Z/0.85
U2*	MCP1700T3302ETTCT-ND	IC REG LDO 3.3V 250MA SOT23-3	MCP1700T-3302E/TT

\*These parts are unpopulated on the DSKB1013A. They may be purchased and added to allow a higher supply voltage.

## Schematic



## Disclaimer

This document is for informational use only and is subject to change without prior notice. Digi-Key makes no commitment to update or keep current the information contained herein. Digi-Key does not guarantee or warrant that any information provided is accurate, complete, or correct and disclaims any and all liability associated with the use of the information contained herein. The use of this information and Digi-Key's liability is subject to Digi-Key's standard Terms & Conditions which can be found at [www.digi-key.com](http://www.digi-key.com) by clicking on the Terms & Conditions link at the bottom of the web page.

No license, whether express, implied, arising by estoppel or otherwise is granted under any intellectual property or other rights of Digi-Key or others.

DIGI-KEY MAKES NO REPRESENTATIONS OR WARRANTIES OF ANY KIND WHETHER EXPRESS OR IMPLIED, WRITTEN OR ORAL, STATUTORY OR OTHERWISE, RELATED TO THE INFORMATION, INCLUDING BUT NOT LIMITED TO PRODUCT CONDITION, QUALITY, PERFORMANCE, MERCHANTABILITY OR FITNESS FOR PURPOSE.

Digi-Key disclaims all liability arising from this information and its use. Use of Digi-Key devices in life support and/or safety applications is entirely at the buyer's risk, and the buyer agrees to defend, indemnify and hold harmless Digi-Key from any and all damages, claims, suits, or expenses resulting from such use. No licenses are conveyed, implicitly or otherwise, under any Digi-Key intellectual property rights.

## Trademarks

DIGI-KEY® is a registered trademark of Digi-Key Corporation. Digi® and XBee® are registered trademarks of Digi International. All other trademarks, service marks and product names contained herein are the sole property of their respective owner and their use is for informational purposes only and does not imply any endorsement, recommendation, sponsorship or approval by the trademark owner of the contents.

## Copyright

**Use of this document is limited to customer's internal business use for the evaluation and purchase of products. No permission is granted to the user to copy, print, store, distribute, transmit, display in public or modify the content of this document in any way for any other purpose.**

© Copyright 2012 Digi-Key Corporation. All rights reserved.