

PA16C64-QD(-03 or -16) Data Sheet

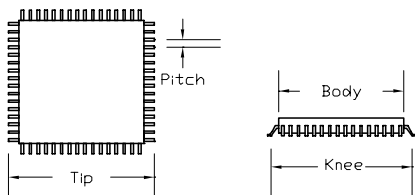
44 pin PQFP or TQFP socket/40 pin DIP 0.6" plug

Supported Device/Footprints

Using this adapter, the Microchip PIC16C64, '65, '67, & '74 in QFP package can be programmed on 40 pin DIP programmers.

Mfgr	Device	Package	Device	Plug
Microchip	PIC16C64	44 QFP	PIC16C64	40 pin
	PIC16C65, 65A		PIC16C65	DIP
	PIC16C67, 67A		PIC16C67	
	PIC16C74, 74A		PIC16C74	
	PIC18F4423		PIC18F4423	
	PIC18F4523		PIC18F4523	

The QFP socket accepts packages with the dimensions listed below:



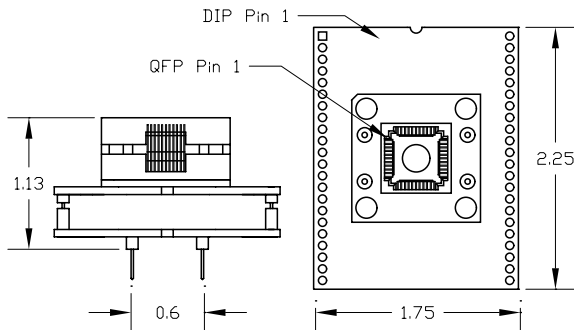
Socket	Body	Knee	Tip (lead span)	Pitch
44QF-03 TQFP	10.0 mm typ	11 mm typ 11.3 mm max	12 mm typ 12.8 mm max	0.8 mm
44QF-16 PQFP	10.0 mm typ	11.6 mm typ	13.2 mm typ	0.8 mm

Which adapter is correct for your package

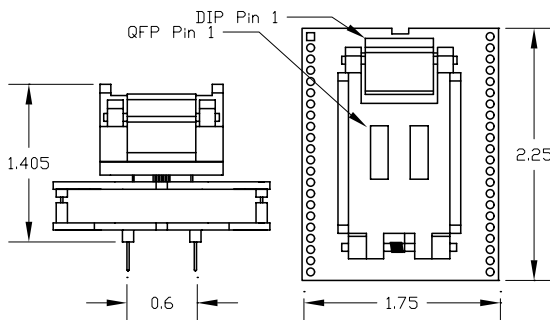
There are several 44QFP packages. Some devices are available in more than one 44QFP package. Lookup the lead span for the package you will be using. Find the matching socket in the table above. Find the adapter that includes that socket in the Adapter Construction section.

Logical Systems maintains a device to adapter cross reference in our office and on our web site. Contact us or visit our web site to look up a manufacturer and device or package code.

Adapter Dimensions



PA16C64-QD-03



PA16C64-QD-16

Adapter Construction

The adapter is made up of 3 sub-assemblies. They assemble via connectors making the adapter modular. This way the sub-assemblies can be replaced easily.

The following chart shows the various socket and board part numbers that make up these adapters.

Adapter	Socket	Top Board	Bottom Board
PA16C64-QD-03	44QF-03	44QFP-03	P64-QD
PA16C64-QD-16	44QF-16	44QFP-16	P64-QD

When disassembling the adapter take care not to bend the pins. When reassembling the adapter note the pin 1 indicators to align the parts correctly.

Test Sockets

LSC #	Style	Mfgr/Pn
44QF-03	Open Top ZIF	Enplas OTQ-44-0.8-03
44QF-16	Lidded ZIF	Enplas FPQ-44-0.8-16

Adapter Wiring

The following chart shows the connections from the QFP device to the adapter's DIP plug.

DEVICE	SIGNAL	PLUG	PLUG	SIGNAL	DEVICE
1	RC7	26	25	RC6	44
2	RD4	27	24	RC5	43
3	RD5	28	23	RC4	42
4	RD6	29	22	RD3	41
5	RD7	30	21	RD2	40
6	VSS	31	20	RD1	39
7	VDD	32	19	RD0	38
8	RB0	33	18	RC3	37
9	RB1	34	17	RC2	36
10	RB2	35	16	RC1	35
11	RB3	36	-	N/C	34
12	N/C	-	-	N/C	33
13	N/C	-	15	RC0	32
14	RB4	37	14	OSC2	31
15	RB5	38	13	OSC1	30
16	RB6	39	12	VSS	29
17	RB7	40	11	VDD	28
18	/MCLR	1	10	RE2	27
19	RA0	2	9	RE1	26
20	RA1	3	8	RE0	25
21	RA2	4	7	RA5	24
22	RA3	5	6	RA4	23



Logical Systems Corporation
 PO Box 6184, Syracuse, NY 13217-6184 USA
 Tel (315) 478-0722, FAX (315) 479-6753
 www.logicalsys.com, Email: info@logicalsys.com

PA16C64-QD Data Sheet
 Doc: 16C64QD.DOC
 Rev 01/12/2007
 Page 1 of 1