

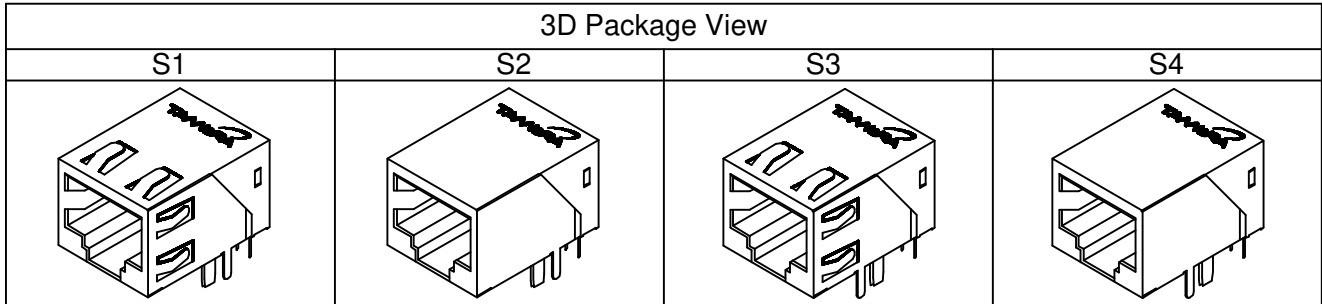


RJ45 Integrated Connector

10/100 Base-TX, Single Port, Through Hole

Features:

1. Meets IEEE 802.3 and ANSI X3.263
2. Operating Temperature: 0 °C to +85 °C
3. 1500Vrms Isolation
4. Enhanced Common Mode Attenuation for maximum EMI Suppression
5. Full Product Qualification Tests



Product Selection												
#	P/N	Row X Port	Package Style	Schematic Identification								
				Auto Xfmr	Input Pins-out		Output Pins-out		RTN	Turn Ratio TX Only	SCH #	Applications Base-TX
1	TIC-L003-11	1x1	S1	X	1,3,2	7,8,6	1,4,5,2	3,7,8,6	Shd	1ct:1ct	1	10/100
2	TIC-L006-11	1x1	S1		1,2,3	4,5,6	1,4,5,2	3,7,8,6	Shd	1ct:1ct	2	10/100
3	TIC-L007-11	1x1	S1	X	1,3,2	7,6,8	1,4,5,2	3,7,8,6	Shd	1.25ct:1ct	1	10/100
4	TIC-L008-11	1x1	S1	X	7,6,8	1,3,2	3,7,8,6	1,4,5,2	Shd	1ct:1ct	3	10/100
5	TIC-L002-11	1x1	S1		1,4,2	3,5,6	1,4,5,2	3,7,8,6	8	1ct:1ct	5	10/100
6	TIC-L004-11	1x1	S1	X	1,3,2	7,6,8	1,4,5,2	3,7,8,6	4,5	1ct:1ct	6	10/100
7	TIC-L009-11	1x1	S2		1,2,3	4,5,6	1,4,5,2	3,7,8,6	Shd	1ct:1ct	2	10/100
8	TIC-L010-11	1x1	S2	X	1,4,2	3,7,6	1,4,5,2	3,7,8,6	Shd	1ct:1ct	4	10/100
9	TIC-L011-11	1x1	S3	X	1,3,2	7,6,8	1,4,5,2	3,7,8,6	Shd	1ct:1ct	1	10/100
10	TIC-L012-11	1x1	S3	X	1,4,2	3,7,6	1,4,5,2	3,7,8,6	Shd	1ct:1ct	4	10/100
11	TIC-L001-11	1X1	S3		7,6,8	3,2,4	3,4,5,6	1,7,8,2	1	1ct:1ct	7	10/100
12	TIC-L013-11	1x1	S4	X	1,3,2	7,6,8	1,4,5,2	3,7,8,6	Shd	1ct:1ct	1	10/100
13	TIC-L014-11	1x1	S4	X	1,4,2	3,7,6	1,4,5,2	3,7,8,6	Shd	1ct:1ct	4	10/100
14	TIC-L015-11	1x1	S1		1,3,2	7,6,8	1,2	3,6	No	1ct:2.5	8	10 base-T

Package Identification				
Package #	Package Style	Size LWH		Package Identification
		inches	mm	
S1	Single Port	0.850 x 0.625 x 0.530	21.60 x 15.88 x 13.45	Plastic Mounting tap - Shield Mounting GND tap No Spring taps
S2	Single Port	0.850 x 0.625 x 0.530	21.60 x 15.88 x 13.45	
S3	Single Port	0.850 x 0.625 x 0.530	21.60 x 15.88 x 13.45	Shield Mounting GND tap - Plastic Mounting tap
S4	Single Port	0.850 x 0.625 x 0.530	21.60 x 15.88 x 13.45	No Spring taps Shield Mounting GND tap - Plastic Mounting tap

Package Information			
Weight		Quantity	
weight / pcs (g)	weight / carton (kg)	quantity / tray (pcs)	quantity / carton (pcs)
6.3	7.5	100	1000



RJ45 Integrated Connector

10/100 Base-TX, Single Port, Through Hole

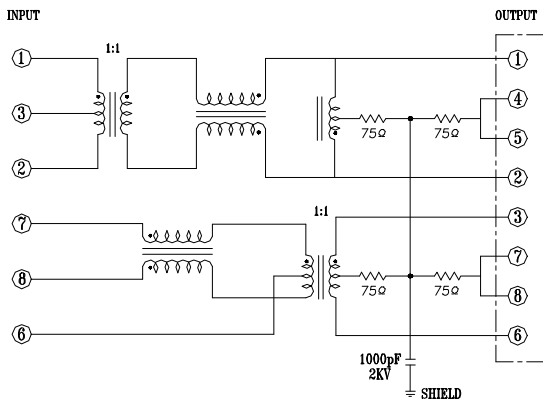
Electrical Specification @ 25 °C								
Insertion Loss (dB Max)	Return Loss (dB Min)			CMRR (dB Min)	Crosstalk (dB Min)	OCL (μH Min)	Hipot (Vrms)	Impedance (Ω)
1-100 MHz 1	1-30 MHz -18	60 MHz -16	80 MHz -12	1-100 MHz -35	1-100 MHz -35	8mA Dc Bias 350	1 minute 1500	100

Mechanical Material Specification									
Contact							Housing & Insert	Shell	
Contact Material	Upper Contact			Lower Contact				Front	Back
	Contact Area	Solder Tail Area	Under-plating	Contact Area	Solder Tail Area	Under-plating			
Phosphor Bronze	Gold	Tin/Lead (9:1)	Nickel	Gold	Tin/Lead (9:1)	Nickel	Thermoplastic Nylon 6T, Black	Stainless SUS 304	Stainless SUS 304
0.35 mm thick	30 μ" Min.	100 μ" Min.	50 μ" Min.	100 μ" Min.	100 μ" Min.	50 μ" Min.	UL 94V-0	0.25 mm thick	0.20 mm thick

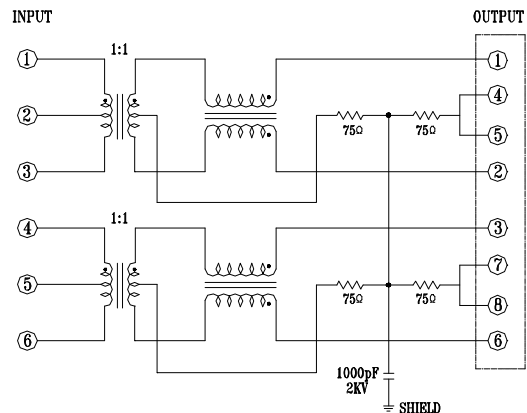
Product Qualification Tests	
Test #	Test Description
1	Product Performance: Complete Electrical Test, Mechanical Measurements and Visual Inspection
2	Low Level Contact Resistance
3	Dielectric Strength
4	Insulation Resistance
5	Vibration
6	Mechanical Shock
7	Durability (Repeated mating / unmating)
8	Solderability
9	Thermal Shock
10	Humidity Temperature Cycling

Schematic 1

TIC-L007-11 has turn ratio 1.25ct:1 ct on TX.



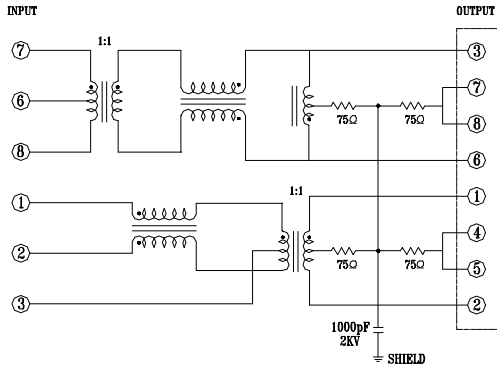
Schematic 2



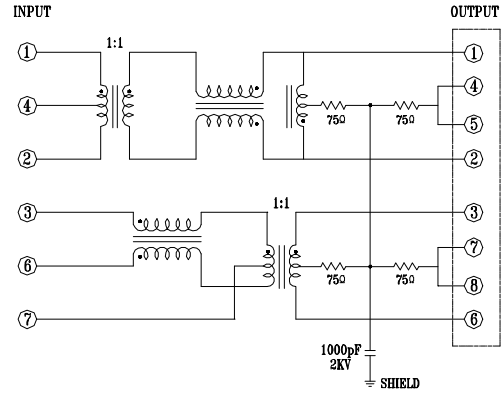
RJ45 Integrated Connector

10/100 Base-TX, Single Port, Through Hole

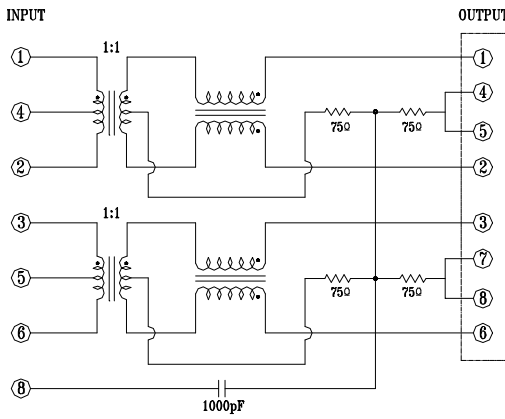
Schematic 3



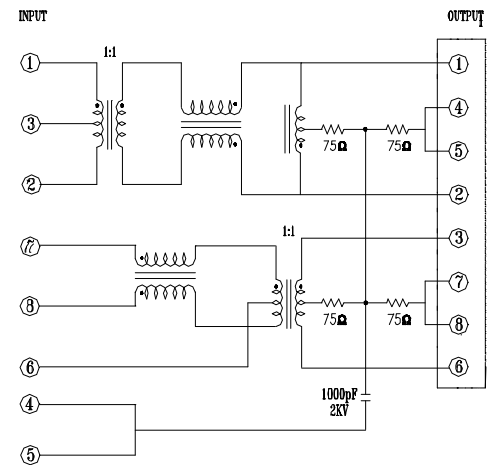
Schematic 4



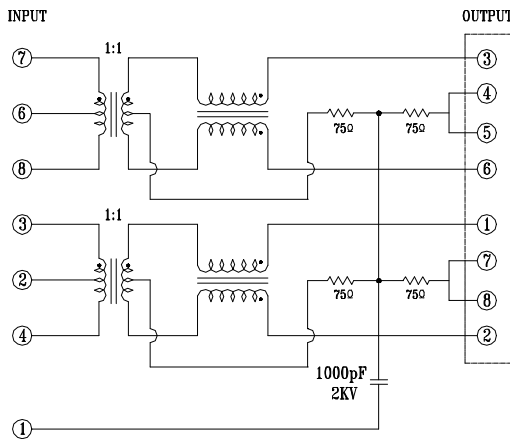
Schematic 5



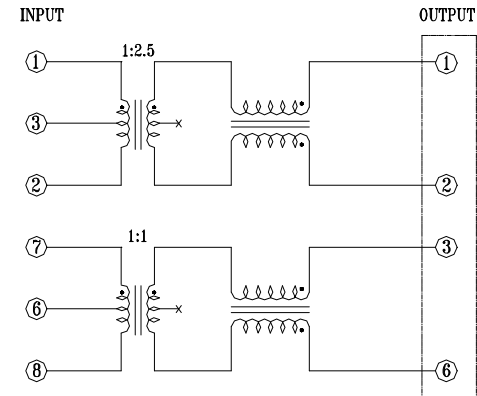
Schematic 6



Schematic 7



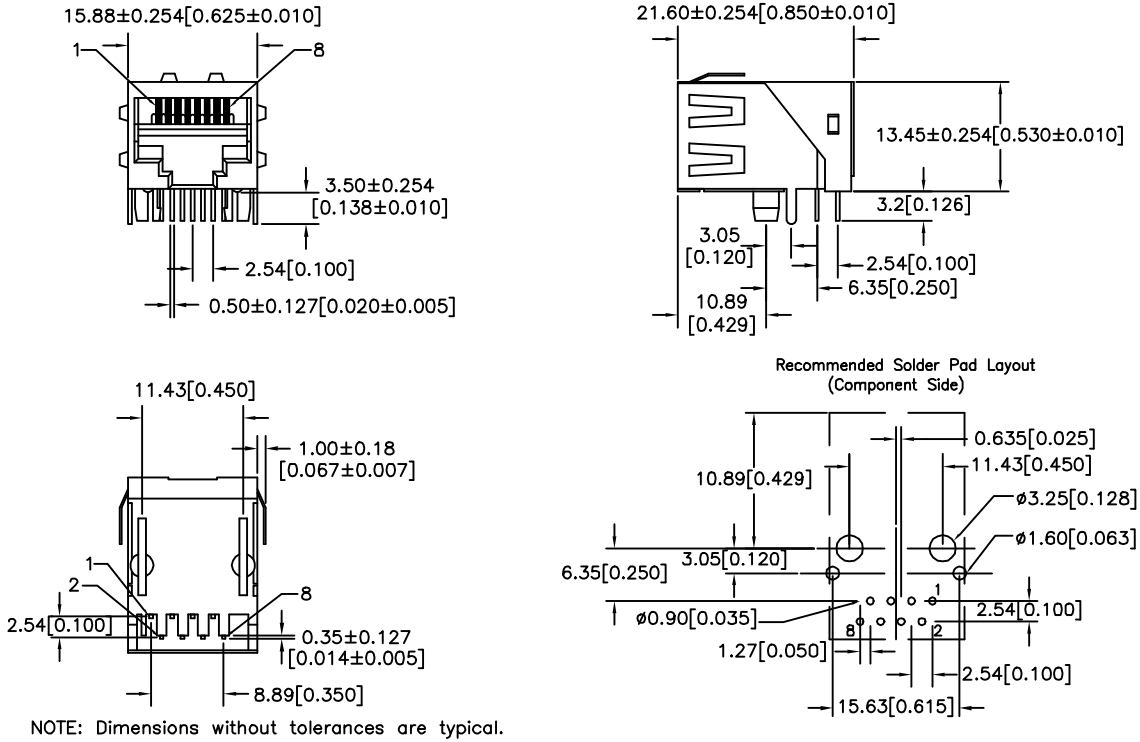
Schematic 8



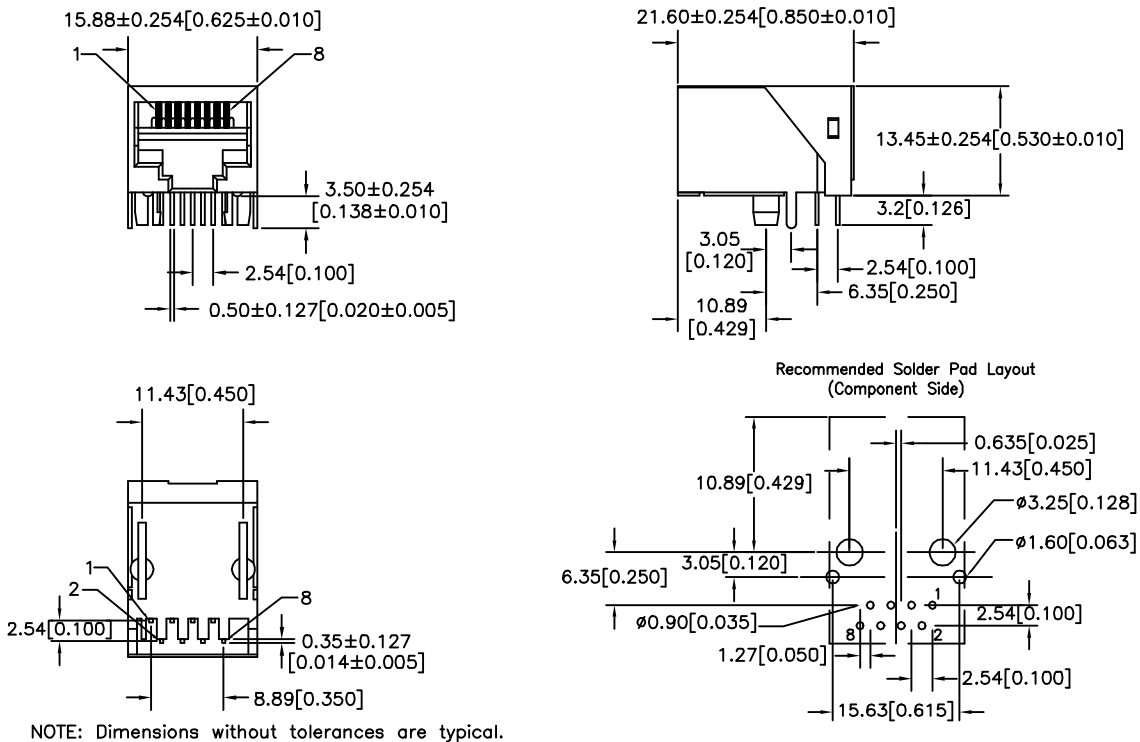
RJ45 Integrated Connector

10/100 Base-TX, Single Port, Through Hole

Package S1



Package S2

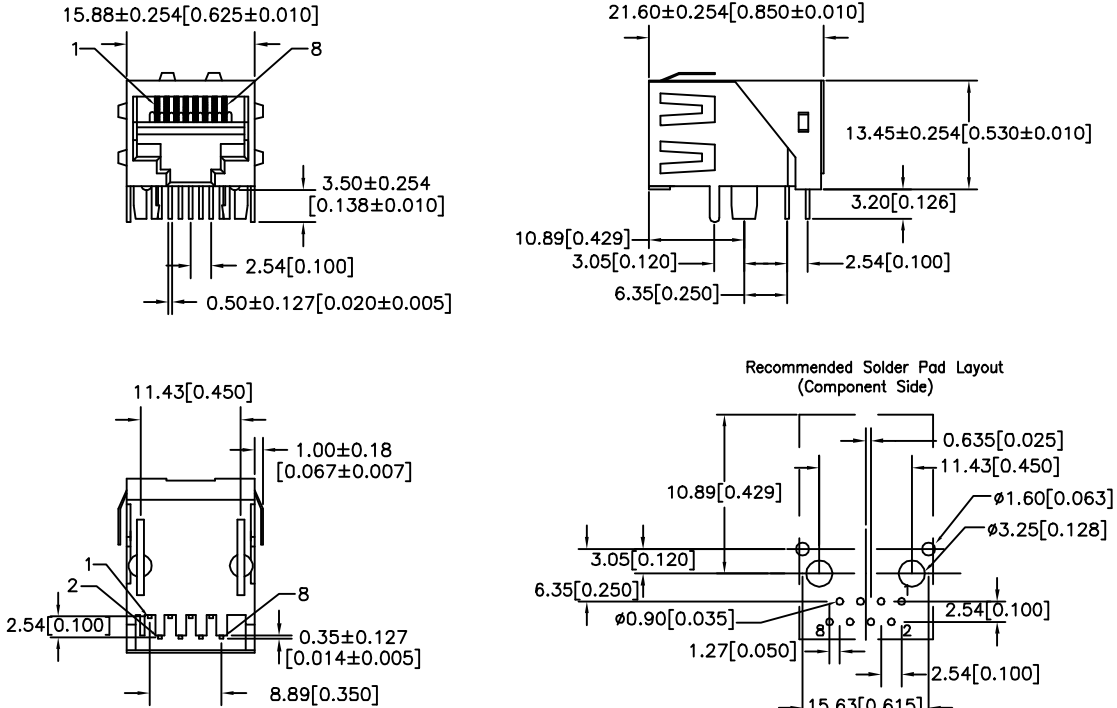




RJ45 Integrated Connector

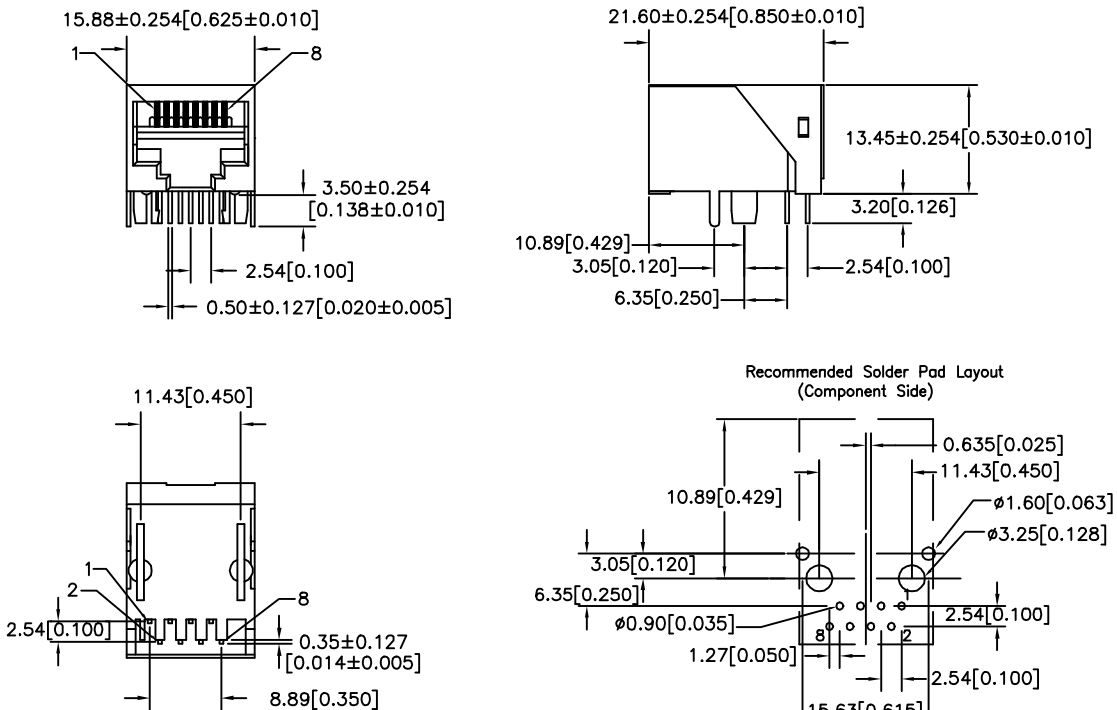
10/100 Base-TX, Single Port, Through Hole

Package S3



NOTE: Dimensions without tolerances are typical.

Package S4



NOTE: Dimensions without tolerances are typical.