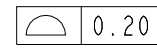
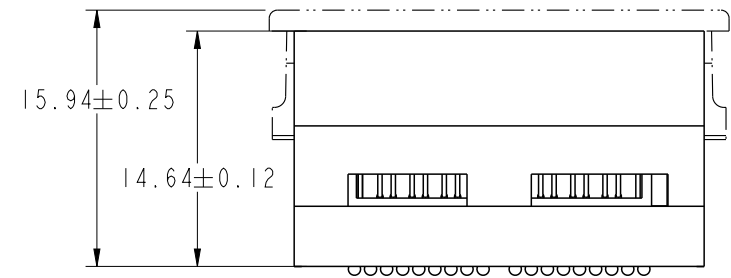
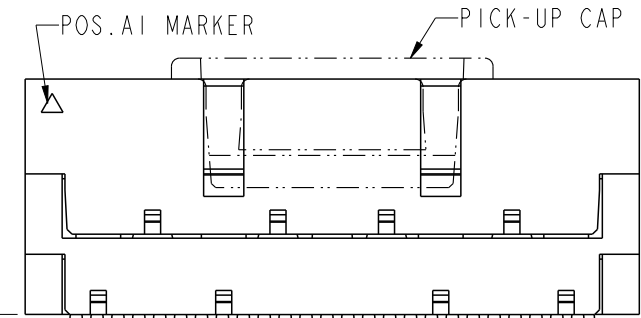
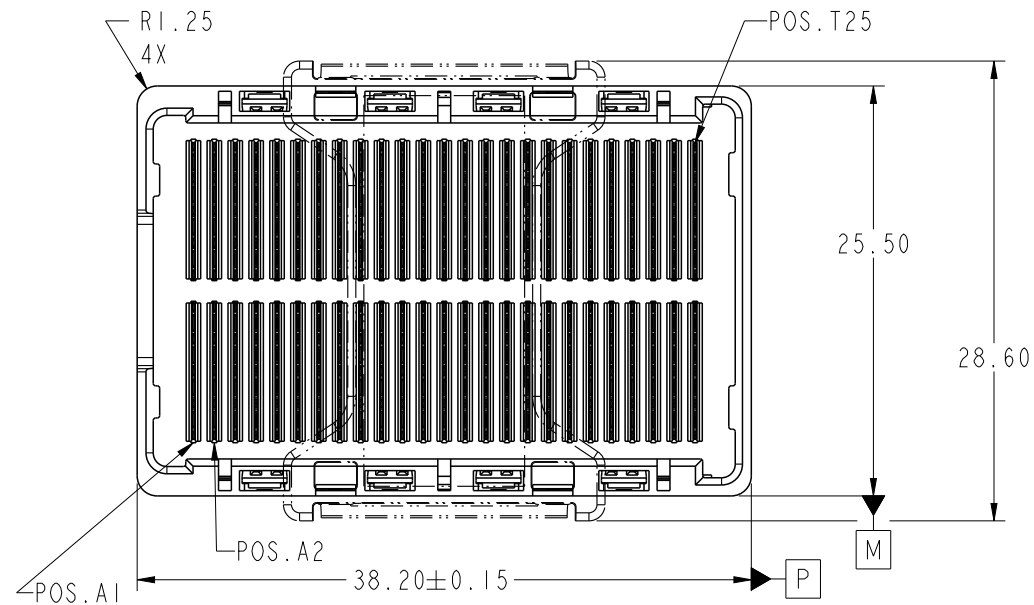
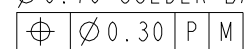


rev	ecn no	dr	date
A	V06-0240	DAI	2006-03-20
B	V06-0558	LP	2006-06-12
C	V08-0329	SM	2008-11-15



(0.55)

Ø0.76 SOLDER BALLS  
 450X  
 SEE NOTE 2



spec ref	-	dr	Bill Lin	2010/02/02	projection 	MM 	size	A4	scale	1:1		
tolerance std	ASME Y14.5	eng	Nickor Zuo	2011/05/26			ecn no	ELX-DG-003943-1				
surface	✓	chr	Alex Cao	2011/06/24			product family	GIG-Array		rel level	Released	
		appr	Pei-Ming Zheng	2011/06/27	title		GIG-Array		dwg no	55738	rev	D
					15mm PLUG ASSY. 200 SIG. POS.		Product - Customer Drw		sheet 1 of 5			

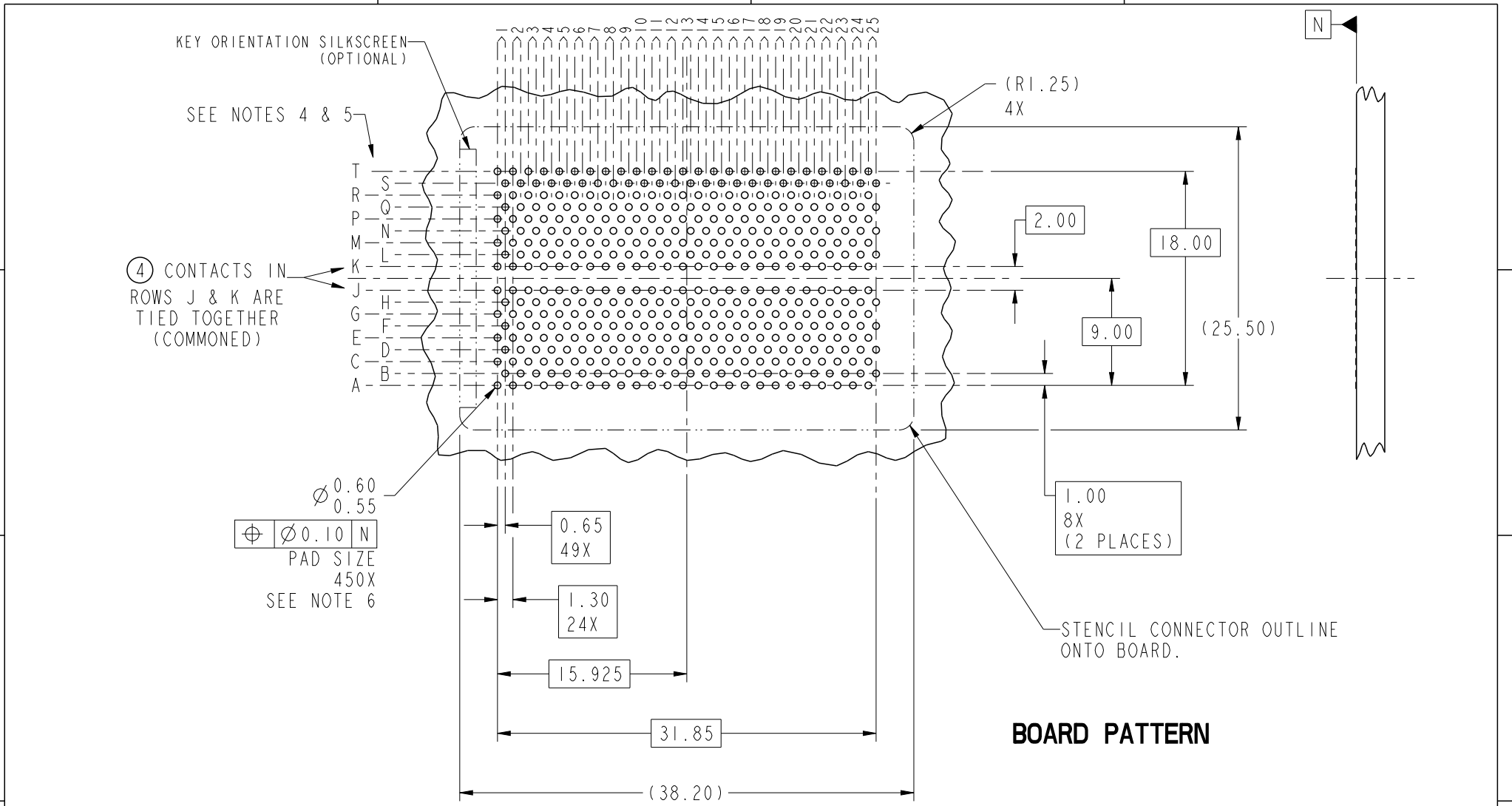
ProjE File - REV C - 2009-06-09



Copyright FCI.



Copyright FCI.



**BOARD PATTERN**

spec ref	-	dr	Bill Lin	2010/02/02	projection	MM	size	A4	scale	1:1
tolerance std	ASME Y14.5	eng	Nickor Zuo	2011/05/26			ecn no		ELX-DG-003943-1	
TOLERANCES UNLESS OTHERWISE SPECIFIED		chr	Alex Cao	2011/06/24			rel level		Released	
surface	✓	appr	Pei-Ming Zheng	2011/06/27	product family		GIG-Array		rev	
	linear			title			GIG-Array		dwg no	
		www.fci.com		15mm PLUG ASSY. 200 SIG. POS.			55738		D	
	angular	cat. no.		Product - Customer Drw			sheet 2 of 5			
		0.X	±0.30							
		0.XX	±0.10							
		0.XXX	±0.05							
		0°	±2°							

PreE File - REV C - 2009-06-09

1

2

3

4

A

B

C

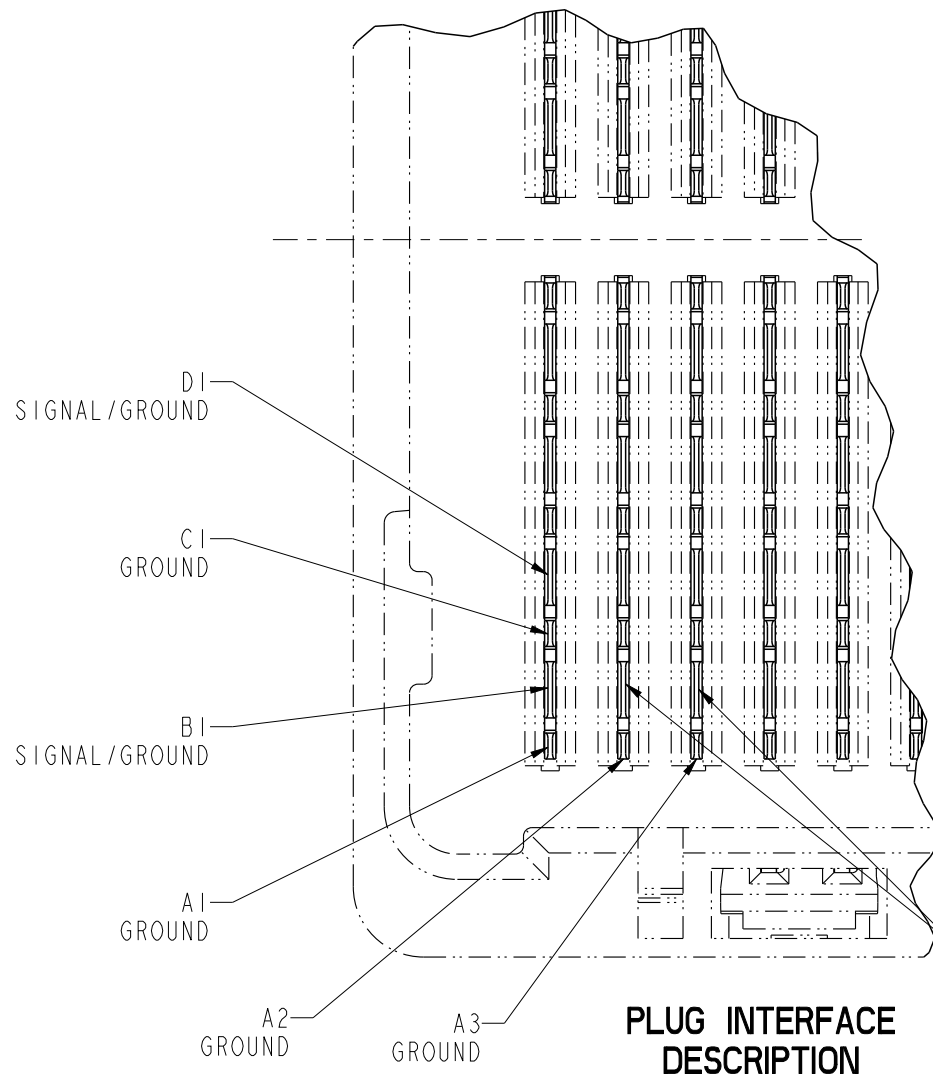
D

A

B

C

D



**PLUG INTERFACE DESCRIPTION**

spec ref	-			dr	Bill Lin	2010/02/02	projection 	MM ←→	size	A4	scale	1:1
tolerance std	ASME Y14.5			eng	Nickor Zuo	2011/05/26			ecn no	ELX-DG-003943-1		
surface	TOLERANCES UNLESS OTHERWISE SPECIFIED			chr	Alex Cao	2011/06/24			product family	GIG-Array		
	linear	0.X	±0.30	appr	Pei-Ming Zheng	2011/06/27	rel level	Released				
		0.XX	±0.10				title	GIG-Array			rev	D
		0.XXX	±0.05				cat. no.	Product - Customer Drw			sheet 3 of 5	
	angular	0°	±2°	www.fci.com			dwg no	55738				



Copyright FCI.

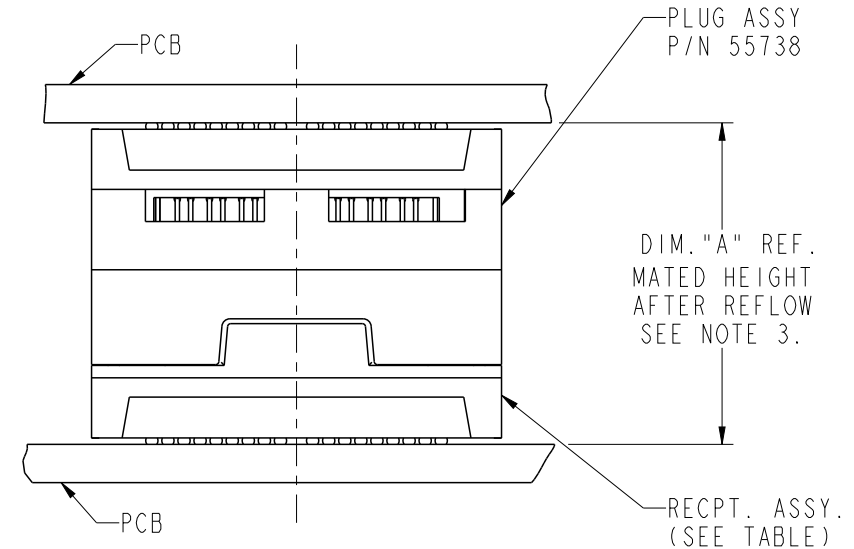
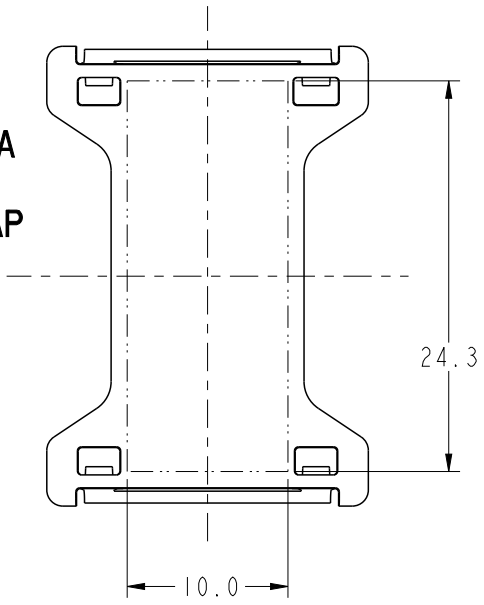
PreE File - REV C - 2009-06-09

2

3

4

FLAT AREA  
FOR  
PICK-UP CAP



END VIEW OF MATED CONNECTORS

DIM. "A"	RECPT. ASSY. P/N
20	55740
25	10026010
30	55741



Copyright FCI.

spec ref		-		dr	Bill Lin	2010/02/02	projection 	MM 	size	A4	scale	1:1					
tolerance std	ASME Y14.5	TOLERANCES UNLESS OTHERWISE SPECIFIED				eng			Nickor Zuo	2011/05/26	ecn no	ELX-DG-003943-1					
						chr			Alex Cao	2011/06/24		product family	GIG-Array		rel level	Released	
surface	✓	linear	0.X	±0.30	FCI 	title	GIG-Array		dwg no	55738			rev				
			0.XX	±0.10								www.fci.com		cat. no.	Product - Customer Drw		sheet 4 of 5
			0.XXX	±0.05													
		angular	0°	±2°													

PreE File - REV C - 2009-06-09

PRODUCT NUMBER	SOLDER BALL COMPOSITION	CONTACT PLATING PERFORMANCE LEVEL
55738-001	STANDARD (EUTECTIC)	PERFORMANCE-BASED PLATING, QUALIFIED TO MEET THE REQUIREMENTS OF FCI PRODUCT SPECIFICATION GS-12-192, INCLUDING TELCORDIA CENTRAL OFFICE
55738-001LF	LEADFREE	

NOTES:

1. MAT'L:  
HOUSING: LCP  
CONTACT: COPPER ALLOY  
PLATING (CONTACT): Au OVER Ni.  
UL RATING: 94 V-0  
SOLDER BALL: (SEE TABLE) EUTECTIC SnPb OR LEAD FREE 95.5 Sn/4Ag/0.5Cu.
2. SOLDER BALLS WILL NOT BE PERFECT SPHERICAL SHAPE DUE TO REFLOW ATTACHMENT.
3. MATED HEIGHT EFFECTED BY CUSTOMERS' PCB PAD SIZE, PLATING, SOLDER REFLOW PROFILE & SOLDER PASTE.
4. CONTACTS IN ROWS A,C,E,G,J,K,M,P,R AND T ARE SINGLE BEAM CONTACTS, TYPICALLY USED AS GROUND PINS. (NOTE: CONTACTS IN ROWS J & K ARE TIED TOGETHER [COMMONED])
5. CONTACTS IN ROWS B,D,F,H,L,N,Q AND S ARE DUAL BEAM CONTACTS, TYPICALLY USED AS SIGNAL PINS.
6. SPECIFIED POSITIONAL TOLERANCE DEFINES PAD TO PAD LOCATION WITHIN LAND PATTERN. POSITIONAL TOLERANCE OF LAND PATTERN TO FUDICIAL MARKS OR PCB DATUMS SHALL BE DEFINED BY CUSTOMER. FOR RECOMMENDED PRODUCT APPLICATION AND PCB DESIGN DETAILS, SEE DOC. NO. GS-20-016.
7. FOR PROPER APPLICATION FOLLOW FCI APPLICATION SPECIFICATION GS-20-033. LEAD FREE SOLDER BALLS WILL NOT SOLDER PROPERLY IN A LEADED SOLDER PROCESS DUE TO A HIGHER REFLOW TEMPERATURE. LEADFREE PRODUCT IS THEREFORE NOT BACKWARDS COMPATIBLE WITH LEADED OR SOME SOLDERING APPLICATIONS. REFERENCE FCI APPLICATION SPECIFICATION.
8. THIS PRODUCT MEETS THE EUROPEAN UNION DIRECTIVES AND OTHER COUNTRY REGULATIONS AS DESCRIBED IN GS-22-008. PRODUCT MEETING THIS DIRECTIVE IS IDENTIFIED IN THE CODE NUMBER MARKED ON EACH PART BY HAVING AN "X" IN THE SEVENTH CHARACTER POSTION.

spec ref	-	dr	Bill Lin	2010/02/02	projection		MM	size	A4	scale	1:1
tolerance std	ASME Y14.5	eng	Nickor Zuo	2011/05/26			ecn no	ELX-DG-003943-1			
	TOLERANCES UNLESS OTHERWISE SPECIFIED	chr	Alex Cao	2011/06/24				product family	GIG-Array	rel level	Released
surface	✓	appr	Pei-Ming Zheng	2011/06/27	title		dwg no	55738		rev	D
	linear	www.fci.com		cat. no.		Product - Customer Drw			sheet 5 of 5		
	angular	0°	±2°	GIG-Array		15mm PLUG ASSY. 200 SIG. POS.					

