

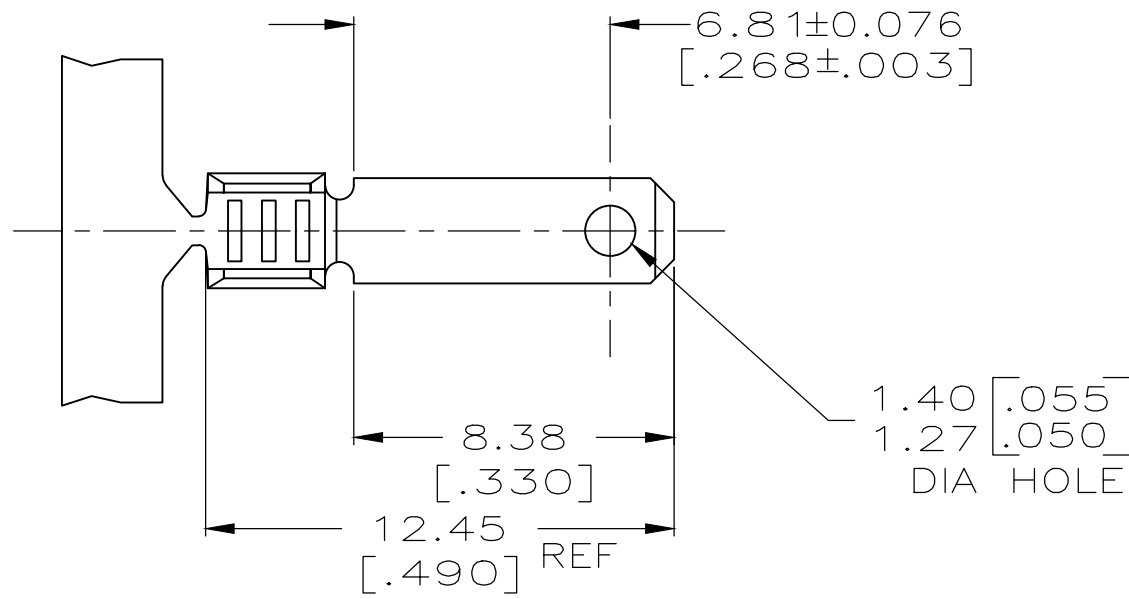
THIS DRAWING IS UNPUBLISHED.

RELEASED FOR PUBLICATION

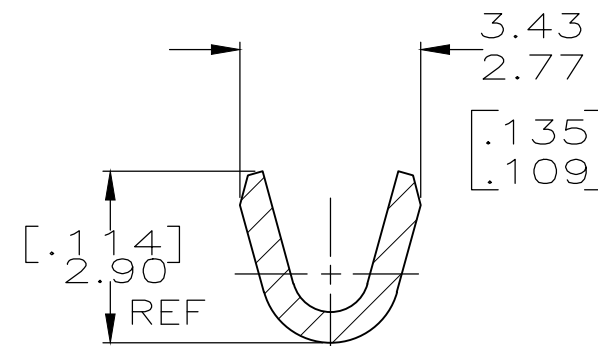
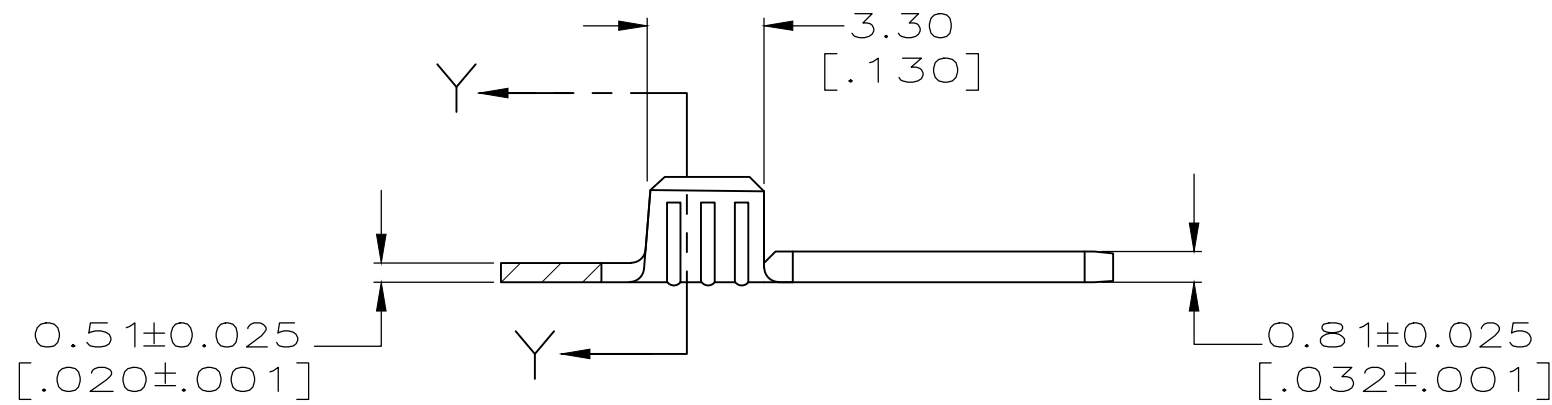
REVISIONS

© COPYRIGHT - By - ALL RIGHTS RESERVED.

P	LTR	DESCRIPTION	DATE	DWN	APVD
	F1	REVISED PER ECR-18-003290	6MAR2018	DL	TD



- 1 CONTINUOUS STRIP ON REELS.
- 2 WIRE SIZE TO BE [#22-#18] AWG.



63932-1

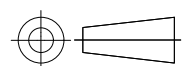
PART NO

[#18]	1.55 [.061]
[#20]	1.45 [.057]
[#22]	1.40 [.055]
WIRE SIZE	CRIMP HEIGHT

THIS DRAWING IS A CONTROLLED DOCUMENT.

DIMENSIONS:
mm [INCHES]

TOLERANCES UNLESS
OTHERWISE SPECIFIED:



0 PLC	± -
1 PLC	± -
2 PLC	± 0.25 [.010]
3 PLC	± -
4 PLC	± -
ANGLES	± -

MATERIAL
BRASS

FINISH
TIN

DWN	JR RUTH	8/22/96
CHK	MS FEHER	8/22/96
APVD	P. DESANTIS	8/22/96
PRODUCT SPEC	-	
APPLICATION SPEC	-	
WEIGHT	-	
CUSTOMER DRAWING		



TE Connectivity Ltd.

NAME TAB, FASTON™ 2.79 [.110] SERIES			
SIZE	CAGE CODE	DRAWING NO	RESTRICTED TO
A3	00779	C-63932	-
SCALE		SHEET	REV
5:1		1 of 1	F1