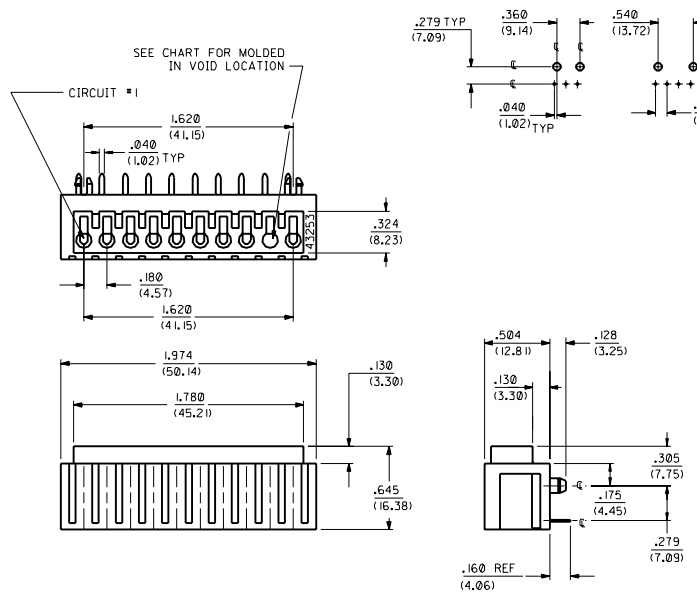


NOTES:

1. FOR USE WITH 16 AWG SOLID & 18 AWG SOLID OR STRANDED WIRE WITH TIN TOP COAT OR 20AWG STRANDED WIRE WITH TIN TOP COAT. INSULATION O.D., .079/.118.
2. SUGGESTED STRIP LENGTH OF MATED WIRE TO BE WITHIN .320-.380 LONG.
3. FOR PRODUCT SPECIFICATIONS SEE PS-42732.



P.C. BOARD LAYOUT; COMPONENT SIDE
RECOMMENDED PCB THICKNESS: .062±.005

43254-0061	6	2,4
43254-0101	10	2,4,7,9
43254-0031	3	2
43254-0100	10	NONE
43254-0080	8	NONE
43254-0060	6	NONE
43254-0050	5	NONE
43254-0040	4	NONE
43254-0030	3	NONE
ITEM NO.	CKT. SIZE	MOLDED VOIDS

C	UPDATE PER ICR 093-0339 98-8-10 SAMEC	BI	ADD MAJ QTY ECR U6 942 4-29-96 SAMEC	DIMENSIONS SHOWN METRIC INCH		REVISIONS		TITLE		MFG. SH. REV.	
B3	REL 0061 EC U70496 96/10/29 SAMEC	B	ADD GAGE PRINT MATCH PART ECR U6923 3-10-95 SAMEC	INCH	METRIC	REVISIONS		TITLE		MFG. SH. REV.	
B2	A/R 0181 ECR U61440 5-17-96 SAMEC	A	REV'D DIMS & FINAL RELEASE ECR U48144 8/17/94 RE	± .005	---	REVISIONS		TITLE		MFG. SH. REV.	
LTR.	REVISIONS	LTR.	REVISIONS	± .01	± 0.13	REVISIONS		TITLE		MFG. SH. REV.	
				± .025	---	REVISIONS		TITLE		MFG. SH. REV.	
				DRPMS PARTS APPLICABLE MUST BE USED UNLESS OTHERWISE SPECIFIED	SCALE	REVISIONS		TITLE		MFG. SH. REV.	
				APP'D: EDGLEY	CHK'D: LENZ	REVISIONS		TITLE		MFG. SH. REV.	
				DATE	DATE	REVISIONS		TITLE		MFG. SH. REV.	
				FILE NAME	SCALE	REVISIONS		TITLE		MFG. SH. REV.	
				DATE	DATE	REVISIONS		TITLE		MFG. SH. REV.	

WIRE TRAP ASSEMBLY

MOLEX INCORPORATED

DATE: 3/16/93

SEE CHART SDA-43254