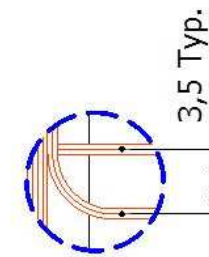
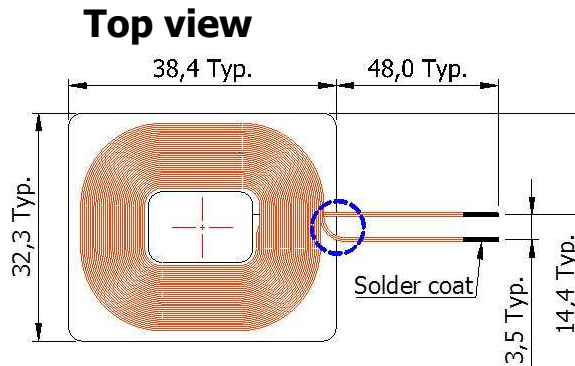
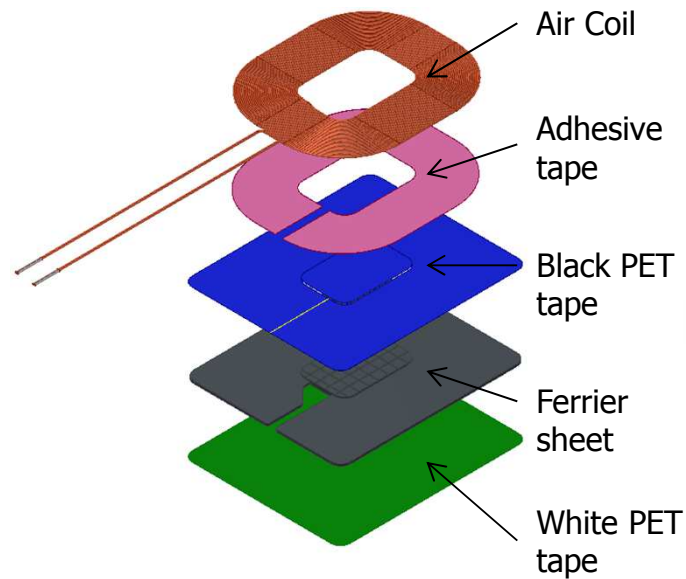
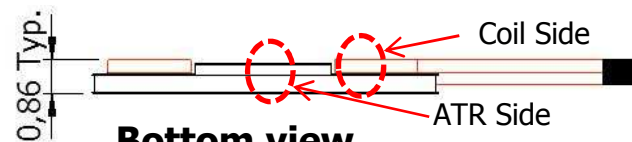


TDK P/N: WR383245-17F5-G

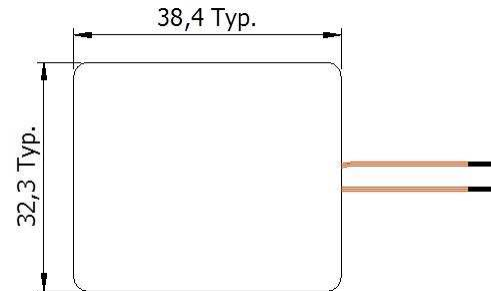
<Structure>



Side view



Bottom view



<Thickness>

Coil side	Unit: mm	
	Typ	Max
Coil+Resin	0.300	0.315
Adhesive tape	0.050	0.053
PET tape	0.030	0.032
Main Sheet	0.450	0.495
PET tape	0.030	0.032
Total	0.860	0.926

ATR side	Unit: mm	
	Typ	Max
PET tape	0.03	0.03
ATR	0.30	0.33
Main Sheet	0.45	0.50
PET tape	0.03	0.03
Total	0.81	0.89

<Remark>

- Sheet material : FK5
- Sheet thickness : 0.45mm
- ATR material : FK5
- ATR thickness : 0.30 mm
- Wire Type : 0.25mm x 2
- Ts : 17

<Electrical Characteristics>

- Ls [uH] : 13.9 typ @100kHz
- Rs [ohm] : 0.31 typ @100kHz
- Q : 28.0 typ @100kHz
- Rdc [ohm]: 0.25 typ