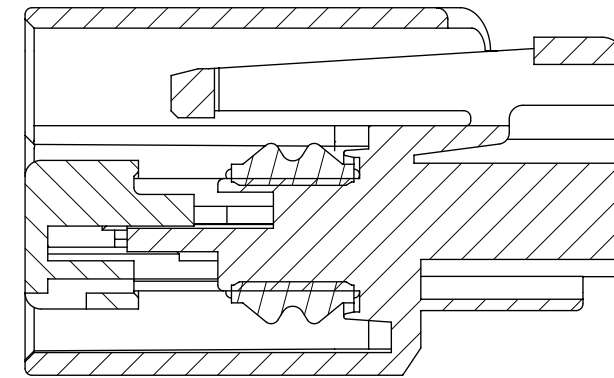
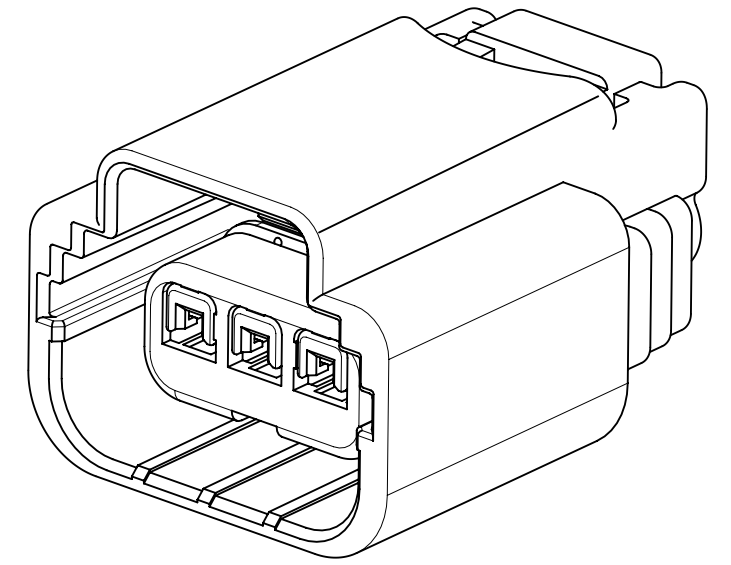
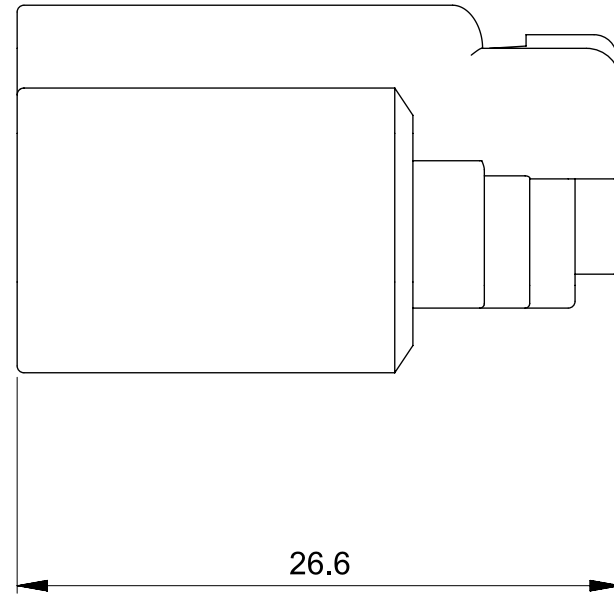
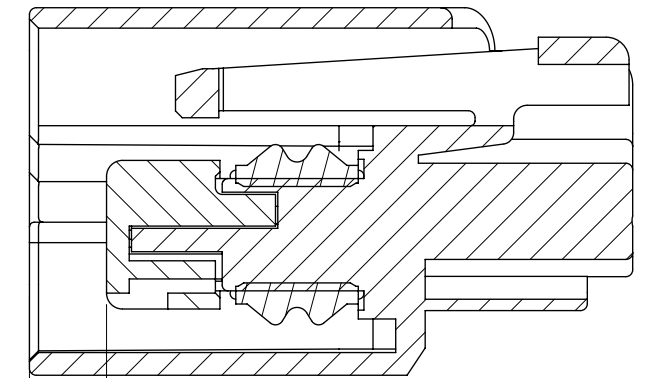


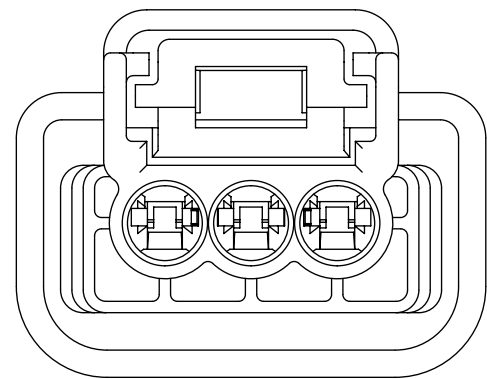
REC HOUSING
REC TPA
RING SEAL



SECTION A-A
TPA IN PRIMARY LOCK POSITION



SECTION A-A
TPA IN FINAL LOCK POSITION



NOTES

1. 適合ターミナル : 2018615000
2. 使用材料
REC HOUSING : PBT, BLACK
REC TPA : PBT, NATURAL
RING SEAL : シリコーン, RED

1. APPLICABLE TERMINAL : 2018615000
2. MATERIAL
REC HOUSING : PBT, BLACK
REC TPA : PBT, NATURAL
RING SEAL : SILICONE, RED

28.3	2024830051	1	5
24.5	2024830041		4
20.7	2024830031		3
A	ORDER NO.	ROW	CKT

FUNCTIONAL SYMBOLS	THIS DRAWING CONTAINS INFORMATION THAT IS PROPRIETARY TO MOLEX ELECTRONIC TECHNOLOGIES, LLC AND SHOULD NOT BE USED WITHOUT WRITTEN PERMISSION		CURRENT REV DESC:	
	△/A = 0	mm	NTS	
DIVISIONAL SYMBOLS	GENERAL TOLERANCES (UNLESS SPECIFIED)		PHASE: Design Production	
	△/E = 0	ANGULAR TOL ± 3.0°		CO NO: CO-000001319
	4 PLACES	± 0.20000	DRWN: Hideo Yoneyama	2022-08-10
	3 PLACES	± 0.2000	CHK'D: Takashi Iida	2022-08-15
	2 PLACES	± 0.200	APPR: Takashi Iida	2022-08-22
	1 PLACE	± 0.20	INITIAL REVISION:	
	0 PLACES	± 0.20	DRWN: Hideo Yoneyama	2021-12-17
	DRAFT WHERE APPLICABLE MUST REMAIN WITHIN DIMENSIONS		APPR: Takashi Iida	2022-02-14
	THIRD ANGLE PROJECTION	DRAWING	SERIES	DOCUMENT NUMBER
		A3-SIZE	202483	2024830001
			MATERIAL NUMBER	DOC TYPE
			GENERAL	PSD
			CUSTOMER	DOC PART
				000
				REVISION
				A1
				SHEET NUMBER
				1 OF 1