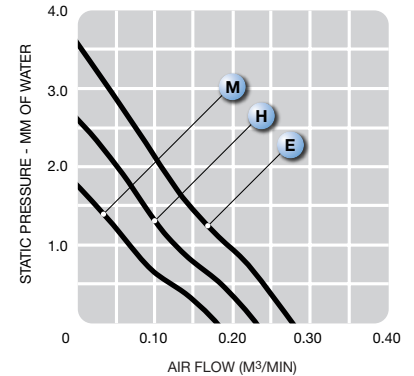
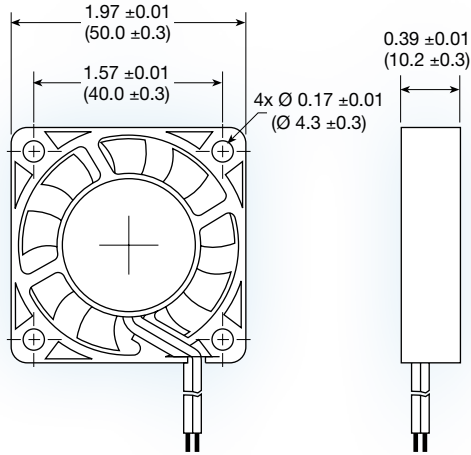


# M5010 series



**(50 x 50 x 10 mm)**  
1.97 x 1.97 x 0.39 inches

|                 |                              |
|-----------------|------------------------------|
| Construction:   | UL94V-0 PBT impeller & frame |
| Bearing option: | ball bearing or sleeve       |
| Connection:     | AWG 26, UL1007 lead wires    |
| Frame:          | ribbed                       |
| Protection:     | impedance                    |
| Options:        | tachometer output signal     |

| Model No.     | Rated Voltage<br>V | Operating Voltage<br>V | Current<br>mA | Speed<br>RPM | Air Volume           |      | Max. Static Pressure (H <sub>2</sub> O) |      | Sound Noise<br>dba | Weight<br>g |
|---------------|--------------------|------------------------|---------------|--------------|----------------------|------|---|------|--------------------|-------------|
|               |                    |                        |               |              | M <sup>3</sup> /Min. | CFM  | MM                                      | INCH |                    |             |
| <b>M5010M</b> | 5                  | 3-6.0                  | 60            | 4,000        | 0.18                 | 6.36 | 1.77                                    | 0.07 | 24                 | 20          |
| <b>M5010H</b> | 5                  | 3-6.0                  | 80            | 5,000        | 0.23                 | 8.12 | 2.63                                    | 0.11 | 26                 | 20          |
| <b>M5010E</b> | 5                  | 3-6.0                  | 150           | 6,000        | 0.28                 | 9.89 | 3.60                                    | 0.14 | 28                 | 20          |
| <b>M5010M</b> | 12                 | 7-13.8                 | 60            | 4,000        | 0.18                 | 6.36 | 1.77                                    | 0.07 | 24                 | 20          |
| <b>M5010H</b> | 12                 | 7-13.8                 | 70            | 5,000        | 0.23                 | 8.12 | 2.63                                    | 0.11 | 26                 | 20          |
| <b>M5010E</b> | 12                 | 7-13.8                 | 120           | 6,000        | 0.28                 | 9.89 | 3.60                                    | 0.14 | 28                 | 20          |