

NOTES:

1. 梱包数量 : 570個/リール
 NUMBER OF CONNECTORS : 570PIECES/REEL

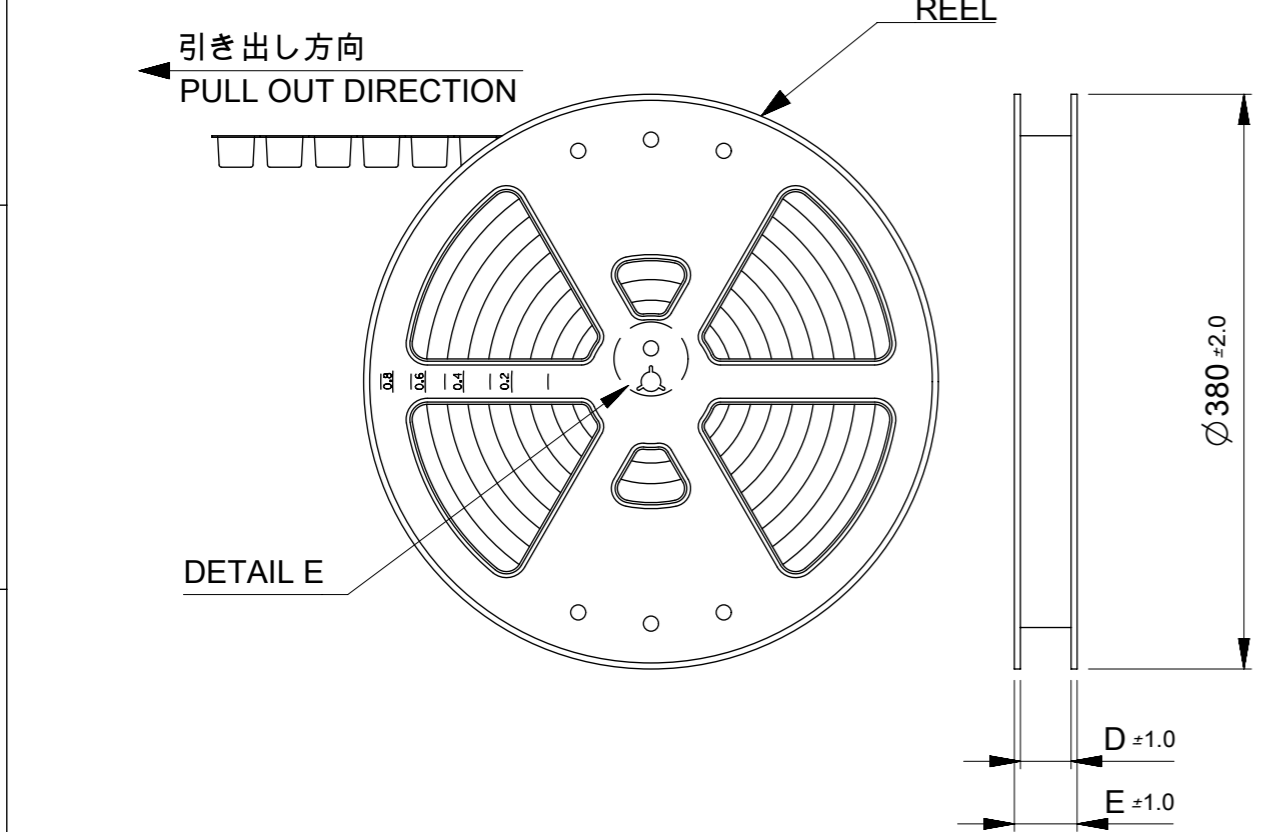
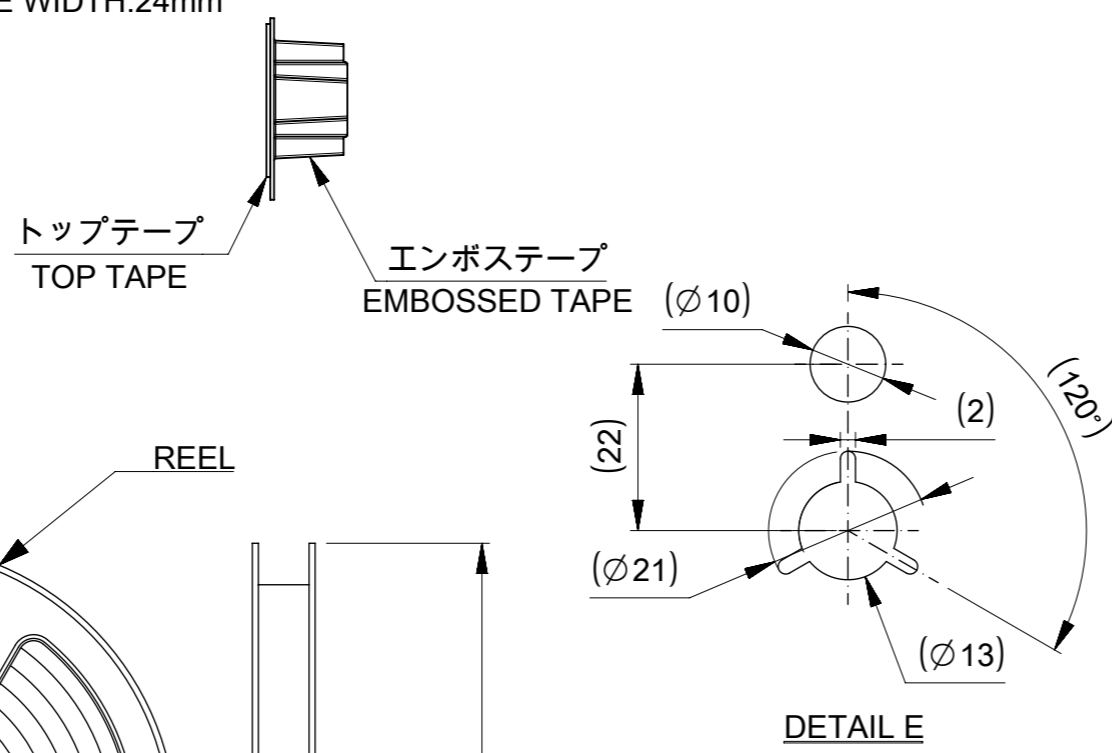
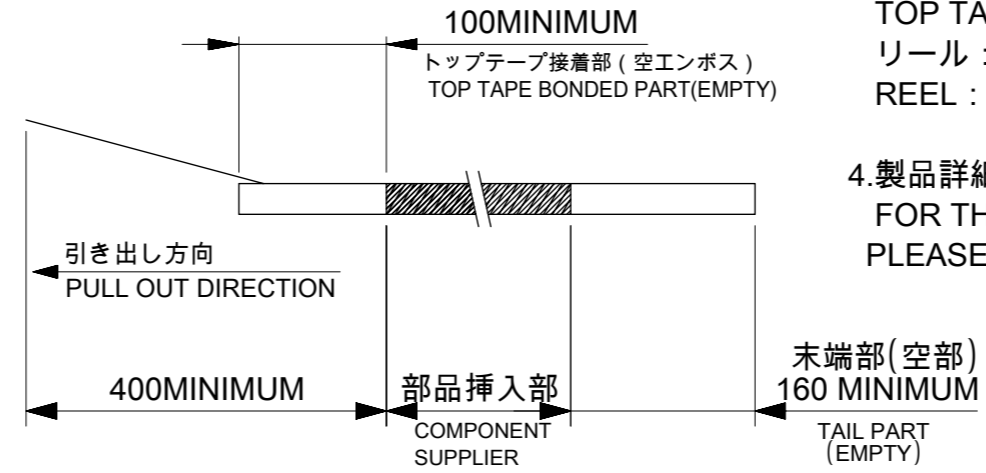
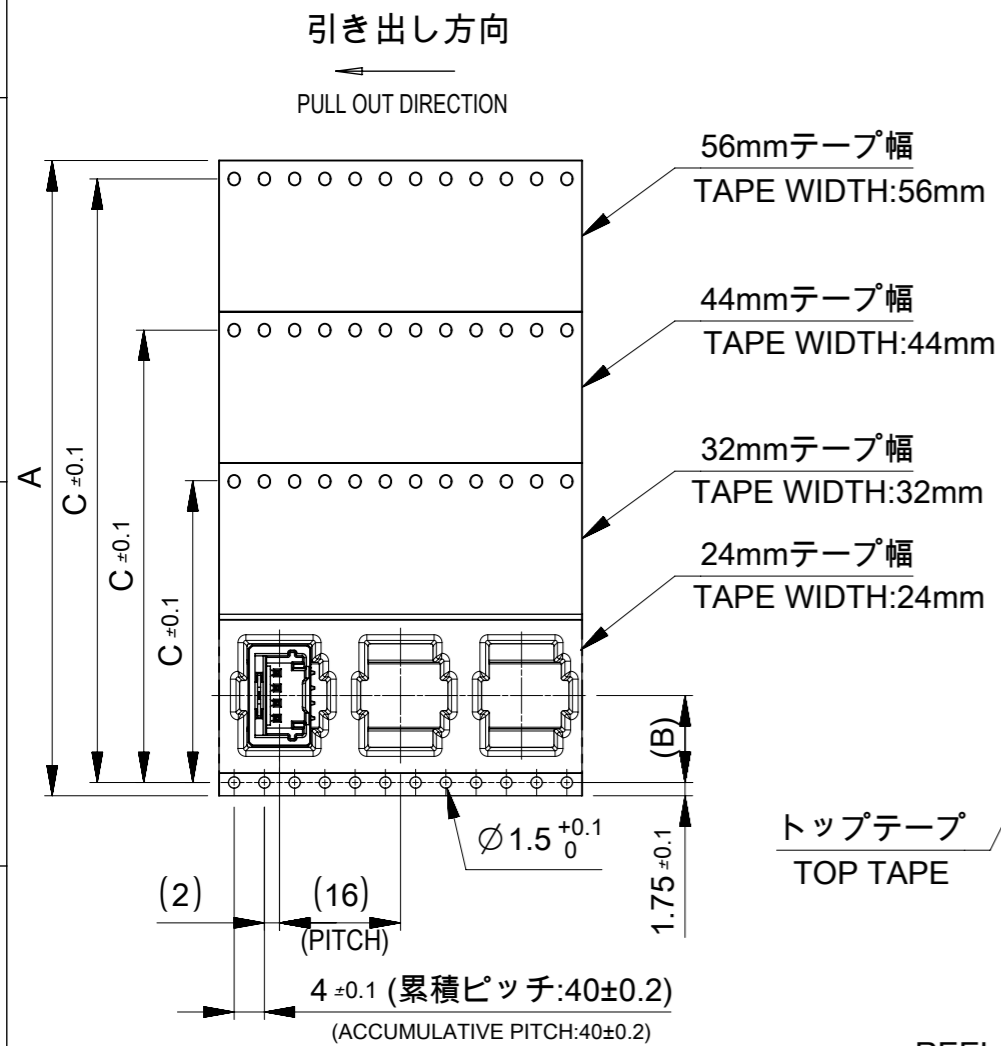
2. リードテープ長さ
 LEAD TAPE LENGTH

3. 材料

MATERIALS

エンボステープ : ポリスチレン(PS)
 EMBOSSED TAPE : POLYSTYRENE(PS)
 トップテープ : ポリエステル(PET)、その他
 TOP TAPE : POLYESTER(PET)、OTHER
 リール : ポリスチレン(PS) リサイクル材を含む
 REEL : POLYSTYRENE(PS) RECYCLE MATERIAL CONTAINED

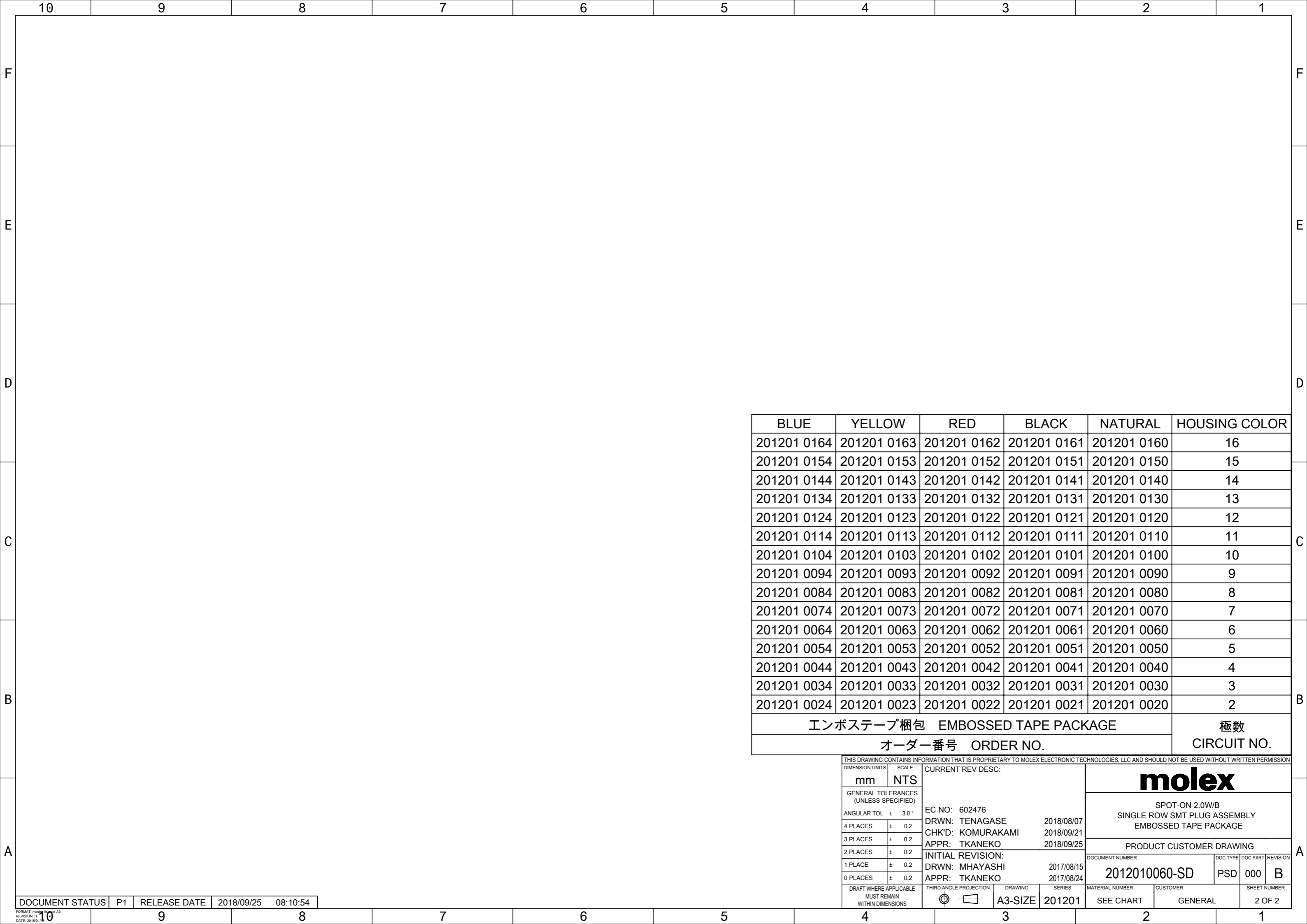
4. 製品詳細寸法については製品単体図面を参照して下さい。
 FOR THE DETAIL OF CONNECTOR DIMENSIONS,
 PLEASE REFER TO THE DRAWING OF CONNECTOR.



61.4	57.4	52.4	26.2	56±0.3	201201 016*	16
					201201 015*	15
					201201 014*	14
					201201 013*	13
					201201 012*	12
					201201 011*	11
49.4	45.4	40.4	20.2	44±0.3	201201 010*	10
					201201 009*	9
					201201 008*	8
37.4	33.4	28.4	14.2	32±0.3	201201 007*	7
					201201 006*	6
					201201 005*	5
					201201 004*	4
29.4	25.4	-	11.5	24 ^{+0.3} _{-0.1}	201201 003*	3
					201201 002*	2
E	D	C	B	A	オーダー番号 ORDER NO.	極数 CIRCUIT NO.

THIS DRAWING CONTAINS INFORMATION THAT IS PROPRIETARY TO MOLEX ELECTRONIC TECHNOLOGIES, LLC AND SHOULD NOT BE USED WITHOUT WRITTEN PERMISSION

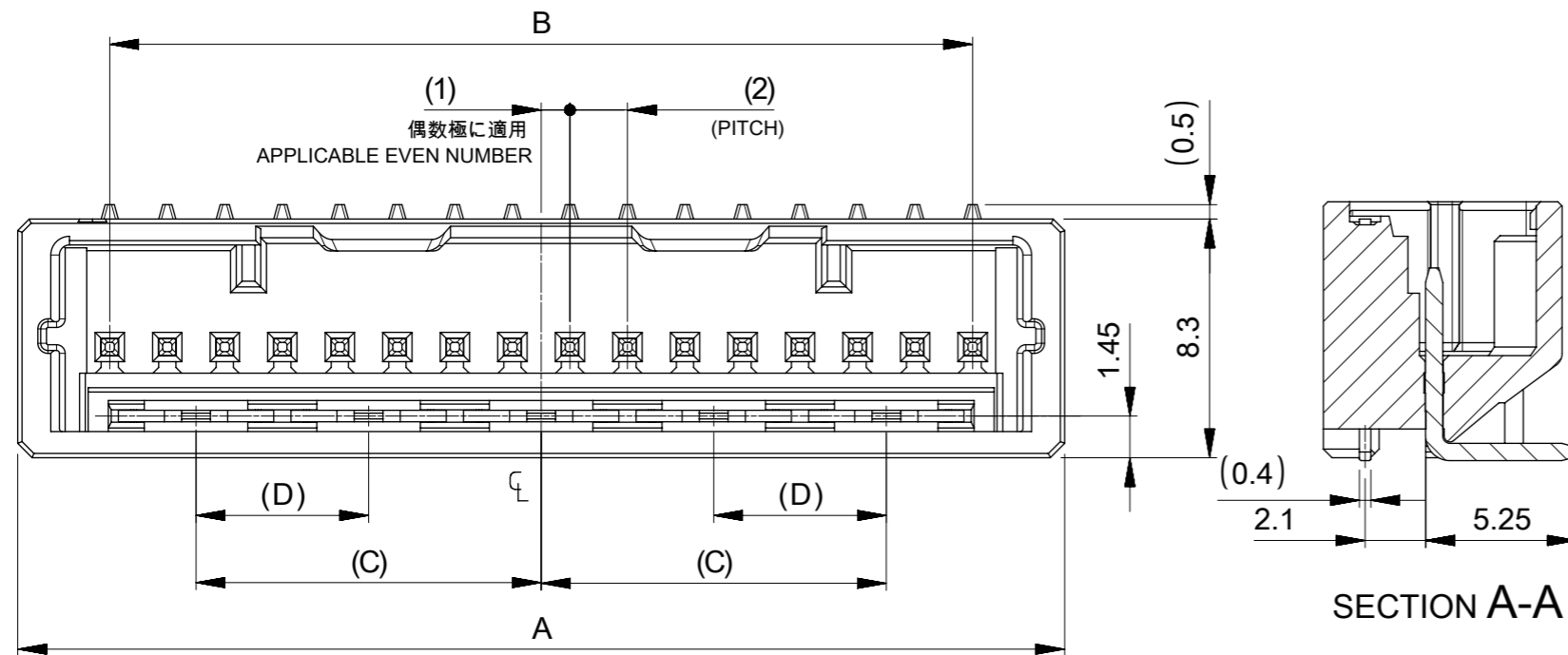
DIMENSION UNITS	SCALE	CURRENT REV DESC:		molex			
mm	NTS						
GENERAL TOLERANCES (UNLESS SPECIFIED)				SPOT-ON 2.0W/B SINGLE ROW SMT PLUG ASSEMBLY EMBOSSED TAPE PACKAGE			
ANGULAR TOL	± 3.0°						
4 PLACES	± 0.2	EC NO: 602476	2018/08/07	PRODUCT CUSTOMER DRAWING			
3 PLACES	± 0.2	DRWN: TENAGASE	2018/09/21				
2 PLACES	± 0.2	CHK'D: KOMURAKAMI	2018/09/25	DOCUMENT NUMBER: 2012010060-SD			
1 PLACE	± 0.2	APPR: TKANEKO					DOC TYPE: PSD
0 PLACES	± 0.2	INITIAL REVISION:		MATERIAL NUMBER: SEE SHEET 2			
		DRWN: MHAYASHI	2017/08/15				CUSTOMER: GENERAL
		APPR: TKANEKO	2017/08/24	SHEET NUMBER: 1 OF 2			
DRAFT WHERE APPLICABLE MUST REMAIN WITHIN DIMENSIONS		THIRD ANGLE PROJECTION	DRAWING: A3-SIZE				SERIES: 201201



BLUE	YELLOW	RED	BLACK	NATURAL	HOUSING COLOR
201201 0164	201201 0163	201201 0162	201201 0161	201201 0160	16
201201 0154	201201 0153	201201 0152	201201 0151	201201 0150	15
201201 0144	201201 0143	201201 0142	201201 0141	201201 0140	14
201201 0134	201201 0133	201201 0132	201201 0131	201201 0130	13
201201 0124	201201 0123	201201 0122	201201 0121	201201 0120	12
201201 0114	201201 0113	201201 0112	201201 0111	201201 0110	11
201201 0104	201201 0103	201201 0102	201201 0101	201201 0100	10
201201 0094	201201 0093	201201 0092	201201 0091	201201 0090	9
201201 0084	201201 0083	201201 0082	201201 0081	201201 0080	8
201201 0074	201201 0073	201201 0072	201201 0071	201201 0070	7
201201 0064	201201 0063	201201 0062	201201 0061	201201 0060	6
201201 0054	201201 0053	201201 0052	201201 0051	201201 0050	5
201201 0044	201201 0043	201201 0042	201201 0041	201201 0040	4
201201 0034	201201 0033	201201 0032	201201 0031	201201 0030	3
201201 0024	201201 0023	201201 0022	201201 0021	201201 0020	2
エンボステープ梱包 EMBOSSED TAPE PACKAGE					極数
オーダー番号 ORDER NO.					CIRCUIT NO.

THIS DRAWING CONTAINS INFORMATION THAT IS PROPRIETARY TO MOLEX ELECTRONIC TECHNOLOGIES, LLC AND SHOULD NOT BE USED WITHOUT WRITTEN PERMISSION															
DIMENSION UNITS		SCALE		CURRENT REV DESC:											
mm		NTS													
GENERAL TOLERANCES (UNLESS SPECIFIED)				EC NO: 602476 DRWN: TENAGASE 2018/08/07 CHK'D: KOMURAKAMI 2018/09/21 APPR: TKANEKO 2018/09/25 INITIAL REVISION: DRWN: MHAYASHI 2017/08/15 APPR: TKANEKO 2017/08/24				SPOT-ON 2.0W/B SINGLE ROW SMT PLUG ASSEMBLY EMBOSSED TAPE PACKAGE							
ANGULAR TOL ± 3.0 °								PRODUCT CUSTOMER DRAWING							
4 PLACES ± 0.2		3 PLACES ± 0.2						2 PLACES ± 0.2		1 PLACE ± 0.2		0 PLACES ± 0.2			
DRAFT WHERE APPLICABLE MUST REMAIN WITHIN DIMENSIONS								THIRD ANGLE PROJECTION		DRAWING		SERIES		MATERIAL NUMBER	
										A3-SIZE		201201		SEE CHART	
								CUSTOMER		SHEET NUMBER					
								GENERAL		2 OF 2					
								2012010060-SD		PSD 000 B					
								DOCUMENT NUMBER		DOC TYPE DOC PART REVISION					

DOCUMENT STATUS	P1	RELEASE DATE	2018/09/25	08:10:54
-----------------	----	--------------	------------	----------

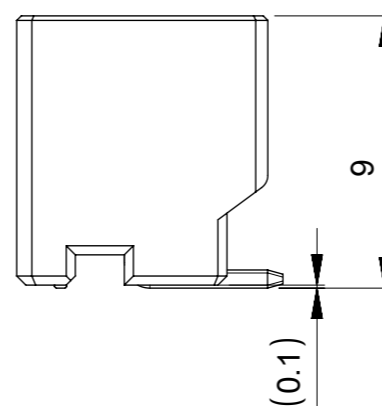
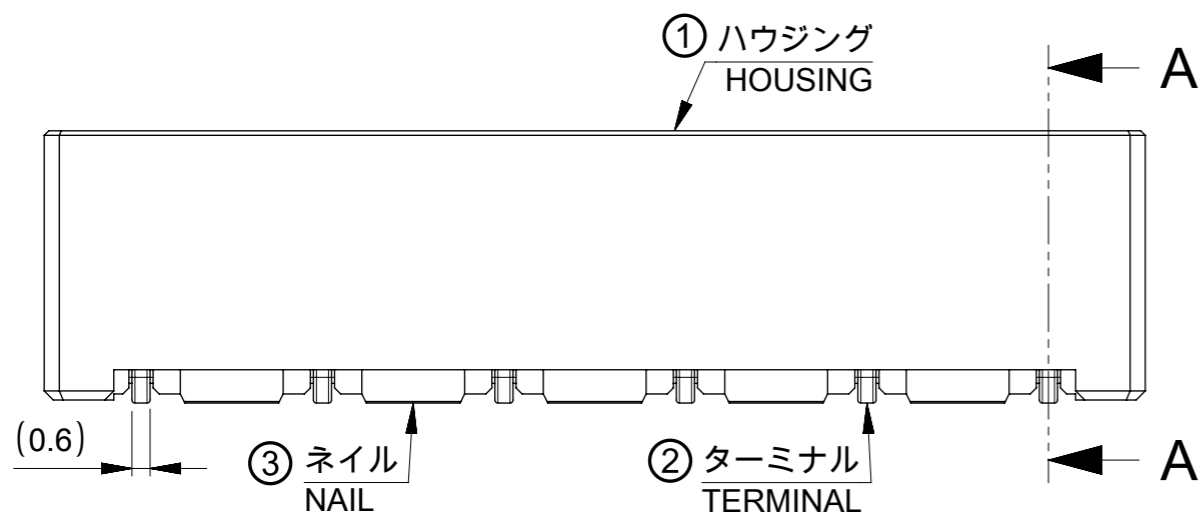


NOTE

- 1. 嵌合相手 : 201200 2***
MATE WITH: 201200 2***
- 2. ターミナル及びネイルの平坦度 : 0.1MAXIMUM
TERMINAL AND NAIL COPLANARITY TO BE 0.1MAXIMUM
- 3. 製品番号 MATERIAL NO.
201201 0 ***

極数 CIRCUI T SIZE 色 キータイプ COLOR KEY TYPE

NO.	COLOR	KEY TYPE
0	NATURAL	1
1	BLACK	2
2	RED	3
3	YELLOW	4
4	BLUE	5



NAIL QUANTITY	D	C	B	A	EMBOSS ED TAPE PACKAGE ORDER NO.	極数 CIRCUI T NO.
5	6	12	30	36.4	201201 016*	16
4	6	11	28	34.4	201201 015*	15
4	6	10	26	32.4	201201 014*	14
4	6	9	24	30.4	201201 013*	13
3	---	8	22	28.4	201201 012*	12
3	---	7	20	26.4	201201 011*	11
3	---	6	18	24.4	201201 010*	10
2	---	5	16	22.4	201201 009*	9
2	---	4	14	20.4	201201 008*	8
2	---	3	12	18.4	201201 007*	7
1	---	---	10	16.4	201201 006*	6
1	---	---	8	14.4	201201 005*	5
1	---	---	6	13.4	201201 004*	4
1	---	---	4	11.4	201201 003*	3
1	---	---	2	9.4	201201 002*	2

番号 NO.	部品 PART	材質 MATERIAL
①	ハウジング HOUSING	ポリアミド(PA)、ガラス充填、UL94 V-0 POLYAMIDE(PA), GLASS FILLED, UL94 V-0
②	ターミナル TERMINAL	黄銅 BRASS
		錫めっき、リフロー処理(前めっき) PRE-TIN PLATED (HEAT TREATED MATTE TIN) : 1.0 MICRO-METER MINIMUM 銅めっき(下地) COPPER (UNDER PLATING) : 0.5 MICRO-METER MINIMUM
③	ネイル NAIL	黄銅 BRASS
		錫めっき MATTE TIN : 1.0 MICRO-METER MINIMUM
		ニッケルめっき(下地) NICKEL (UNDER PLATING) : 1.0 MICRO-METER MINIMUM

THIS DRAWING CONTAINS INFORMATION THAT IS PROPRIETARY TO MOLEX ELECTRONIC TECHNOLOGIES, LLC AND SHOULD NOT BE USED WITHOUT WRITTEN PERMISSION

DIMENSION UNITS: mm	SCALE: NTS	CURRENT REV DESC:		molex		
GENERAL TOLERANCES (UNLESS SPECIFIED)		EC NO: 602476				
ANGULAR TOL ± 3.0°	4 PLACES ±	DRWN: TENAGASE	2018/08/07	PRODUCT CUSTOMER DRAWING		
3 PLACES ±	2 PLACES ± 0.2	CHK'D: KOMURAKAMI	2018/09/25	DOCUMENT NUMBER: 2012011060-SD		
1 PLACE ± 0.2	0 PLACES ± 0.2	APPR: TKANEKO	2018/09/25	DOC TYPE: PSD		
DRAFT WHERE APPLICABLE MUST REMAIN WITHIN DIMENSIONS		THIRD ANGLE PROJECTION		SERIES: 201201		DOC PART: 000
		DRAWING: A3-SIZE		MATERIAL NUMBER: SEE SHEET 2		REVISION: B
				CUSTOMER: GENERAL		SHEET NUMBER: 1 OF 3

**MATING
KEY TYPE & COLOR**

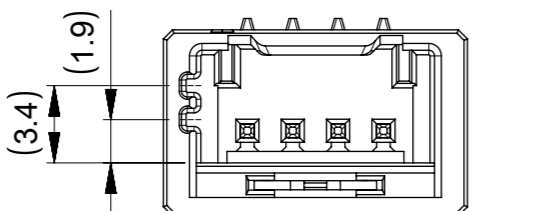
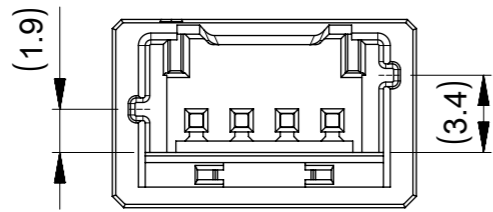
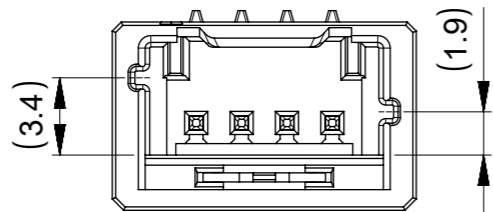
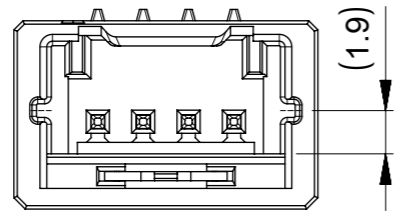
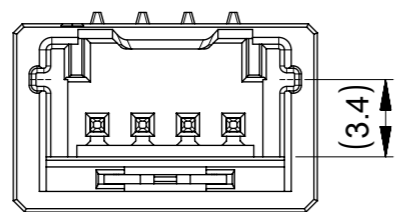
KEY TYPE:1
ORDER No.:2012010**0
COLOR:NATURAL

KEY TYPE:2
ORDER No.:2012010**1
COLOR:BLACK

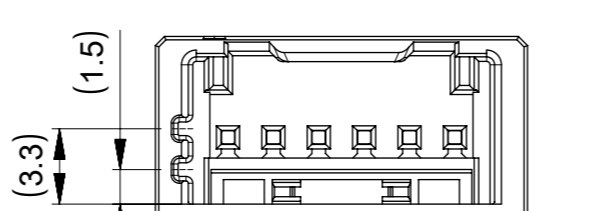
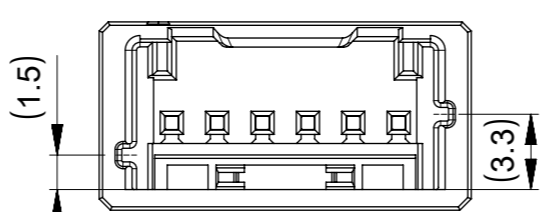
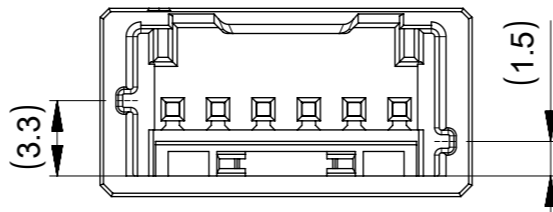
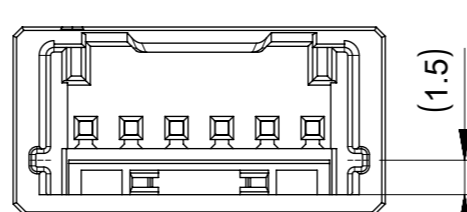
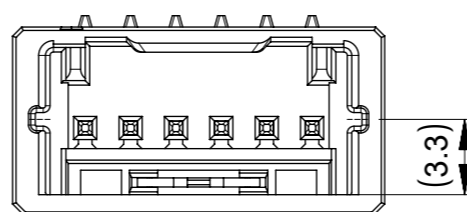
KEY TYPE:3
ORDER No.:2012010**2
COLOR:RED

KEY TYPE:4
ORDER No.:2012010**3
COLOR:YELLOW

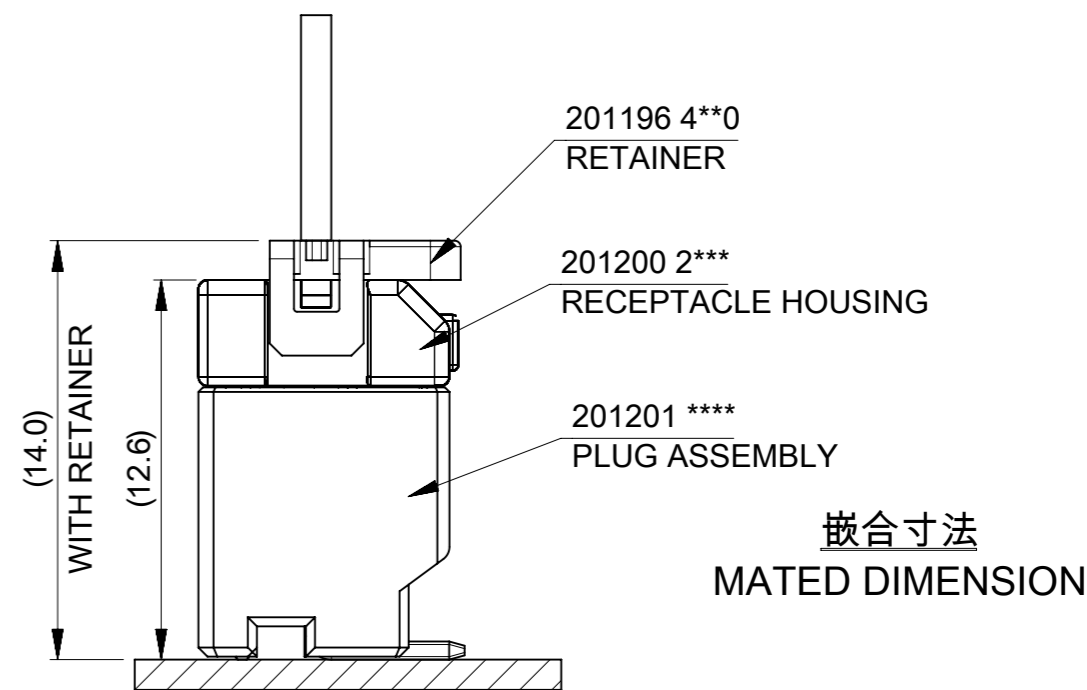
KEY TYPE:5
ORDER No.:2012010**4
COLOR:BLUE



2~4CKT対応
FOR 2~4CKT

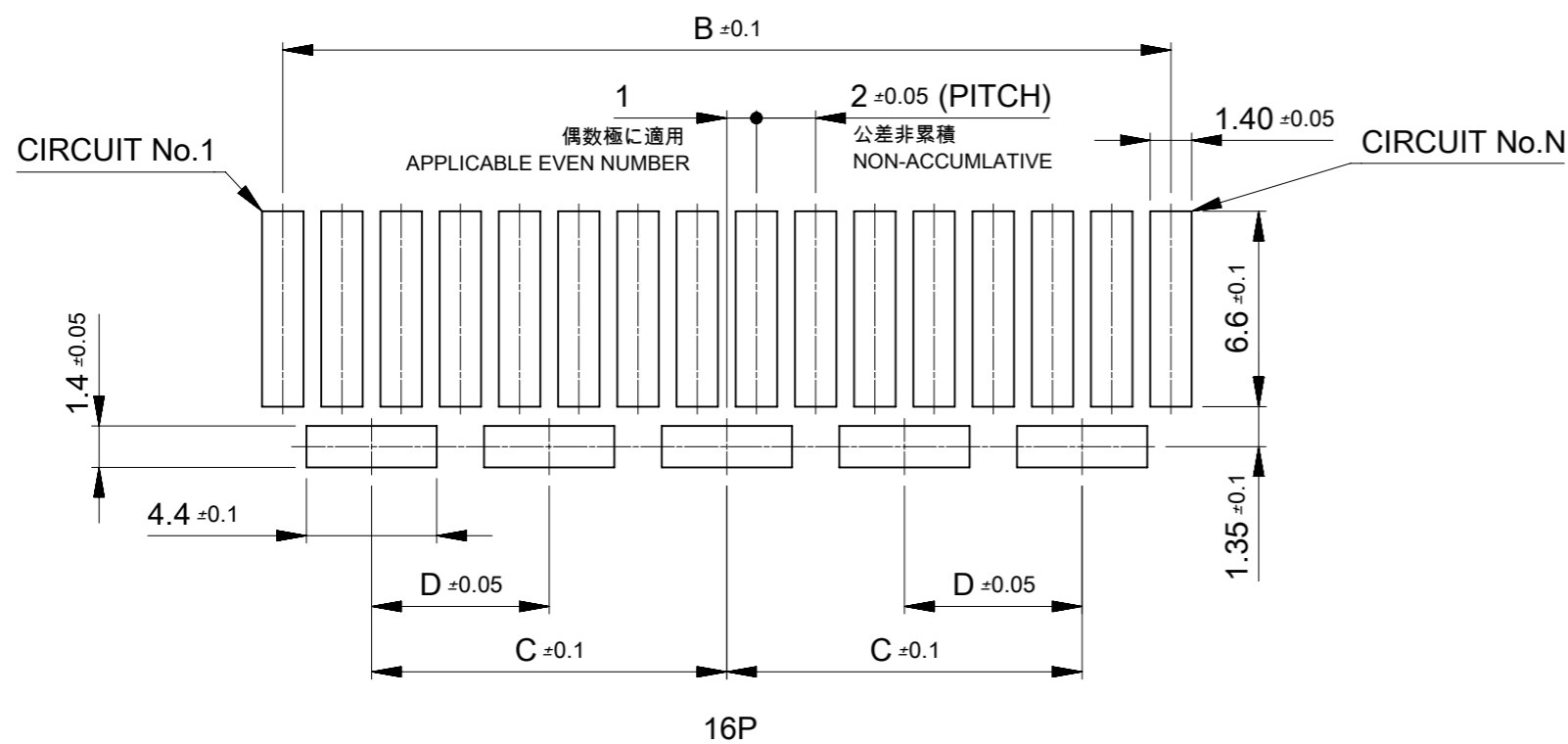


5~16CKT対応
FOR 5~16CKT

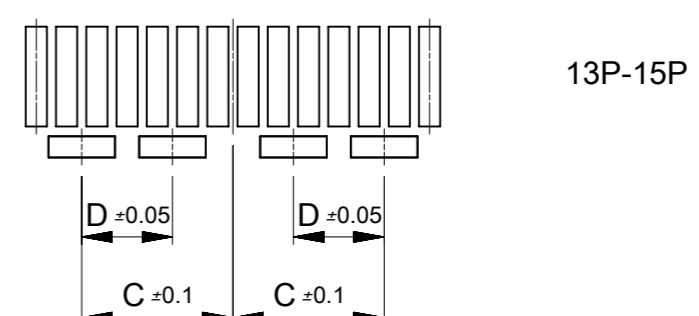
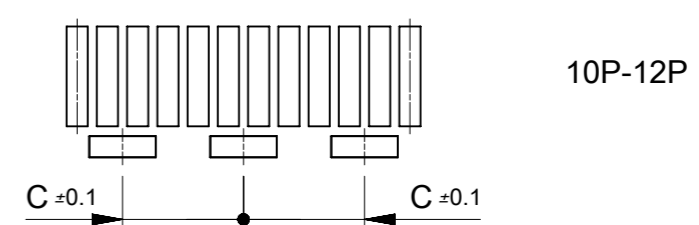
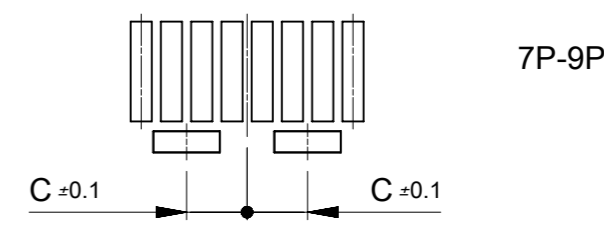
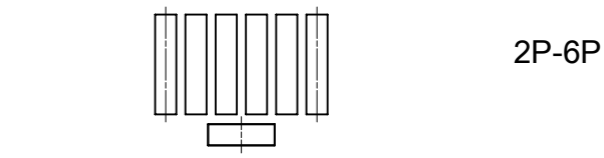


BLUE	YELLOW	RED	BLACK	NATURAL	HOUSING COLOR
201201 0164	201201 0163	201201 0162	201201 0161	201201 0160	16
201201 0154	201201 0153	201201 0152	201201 0151	201201 0150	15
201201 0144	201201 0143	201201 0142	201201 0141	201201 0140	14
201201 0134	201201 0133	201201 0132	201201 0131	201201 0130	13
201201 0124	201201 0123	201201 0122	201201 0121	201201 0120	12
201201 0114	201201 0113	201201 0112	201201 0111	201201 0110	11
201201 0104	201201 0103	201201 0102	201201 0101	201201 0100	10
201201 0094	201201 0093	201201 0092	201201 0091	201201 0090	9
201201 0084	201201 0083	201201 0082	201201 0081	201201 0080	8
201201 0074	201201 0073	201201 0072	201201 0071	201201 0070	7
201201 0064	201201 0063	201201 0062	201201 0061	201201 0060	6
201201 0054	201201 0053	201201 0052	201201 0051	201201 0050	5
201201 0044	201201 0043	201201 0042	201201 0041	201201 0040	4
201201 0034	201201 0033	201201 0032	201201 0031	201201 0030	3
201201 0024	201201 0023	201201 0022	201201 0021	201201 0020	2
エンボステープ梱包 EMBOSSED TAPE PACKAGE					極数
オーダー番号 ORDER NO.					CIRCUIT NO.

THIS DRAWING CONTAINS INFORMATION THAT IS PROPRIETARY TO MOLEX ELECTRONIC TECHNOLOGIES, LLC AND SHOULD NOT BE USED WITHOUT WRITTEN PERMISSION		CURRENT REV DESC:		molex		
DIMENSION UNITS	SCALE					
mm	NTS			SPOT-ON 2.0W/B SINGLE ROW SMT PLUG ASSEMBLY		
GENERAL TOLERANCES (UNLESS SPECIFIED)				PRODUCT CUSTOMER DRAWING		
ANGULAR TOL	± 3.0°	EC NO: 602476		DOCUMENT NUMBER		
4 PLACES	±	DRWN: TENAGASE 2018/08/07		2012011060-SD		
3 PLACES	±	CHK'D: KOMURAKAMI 2018/09/25		DOC TYPE	DOC PART	REVISION
2 PLACES	± 0.2	APPR: TKANEKO 2018/09/25		PSD	000	B
1 PLACE	± 0.2	INITIAL REVISION:		SHEET NUMBER		
0 PLACES	± 0.2	DRWN: MHAYASHI 2017/08/15		2 OF 3		
DRAFT WHERE APPLICABLE MUST REMAIN WITHIN DIMENSIONS		THIRD ANGLE PROJECTION	DRAWING	SERIES	MATERIAL NUMBER	CUSTOMER
			A3-SIZE	201201	SEE CHART	GENERAL



推奨基板レイアウト
 RECOMMENDED PWB PATTERN LAYOUT
 (参考: メタルマスク厚さ: 120μm. マスク開口率100%)
 (REFERENCE: STENCIL THICKNESS: 120μm APERTURE RATIO: 100%)



THIS DRAWING CONTAINS INFORMATION THAT IS PROPRIETARY TO MOLEX ELECTRONIC TECHNOLOGIES, LLC AND SHOULD NOT BE USED WITHOUT WRITTEN PERMISSION									
DIMENSION UNITS		SCALE		CURRENT REV DESC:				molex	
mm		NTS							
GENERAL TOLERANCES (UNLESS SPECIFIED)				EC NO: 602476				SPOT-ON 2.0W/B	
ANGULAR TOL ± 3.0°				DRWN: TENAGASE 2018/08/07				SINGLE ROW SMT PLUG ASSEMBLY	
4 PLACES ±				CHK'D: KOMURAKAMI 2018/09/25				PRODUCT CUSTOMER DRAWING	
3 PLACES ±				APPR: TKANEKO 2018/09/25				DOCUMENT NUMBER	
2 PLACES ± 0.2				INITIAL REVISION:				2012011060-SD	
1 PLACE ± 0.2				DRWN: MHAYASHI 2017/08/15				DOC TYPE	
0 PLACES ± 0.2				APPR: TKANEKO 2017/08/24				PSD	
DRAFT WHERE APPLICABLE MUST REMAIN WITHIN DIMENSIONS				THIRD ANGLE PROJECTION		DRAWING		DOC PART	
				THIRD ANGLE PROJECTION		SERIES		REVISION	
				THIRD ANGLE PROJECTION		A3-SIZE		000	
				THIRD ANGLE PROJECTION		201201		B	
				THIRD ANGLE PROJECTION		MATERIAL NUMBER		SHEET NUMBER	
				THIRD ANGLE PROJECTION		CUSTOMER		3 OF 3	
				THIRD ANGLE PROJECTION		GENERAL			