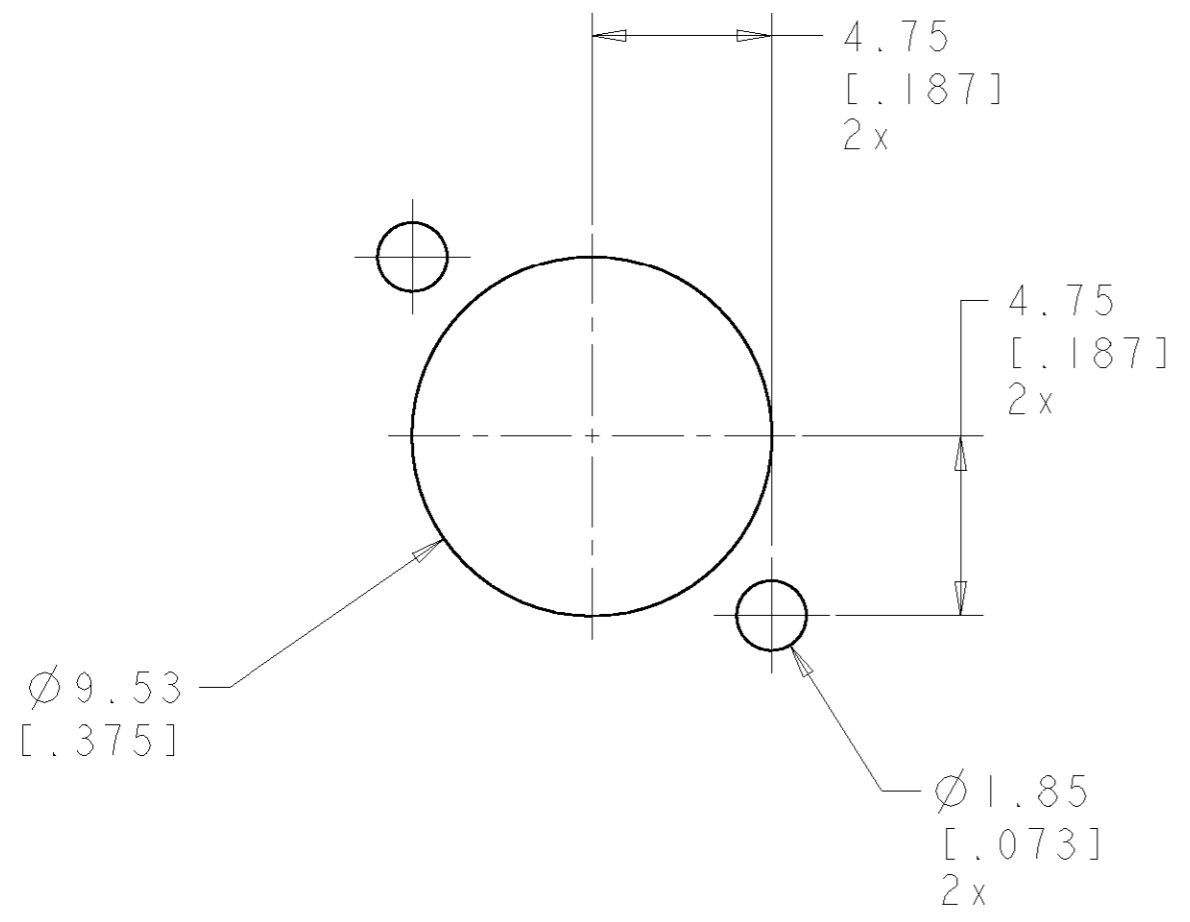
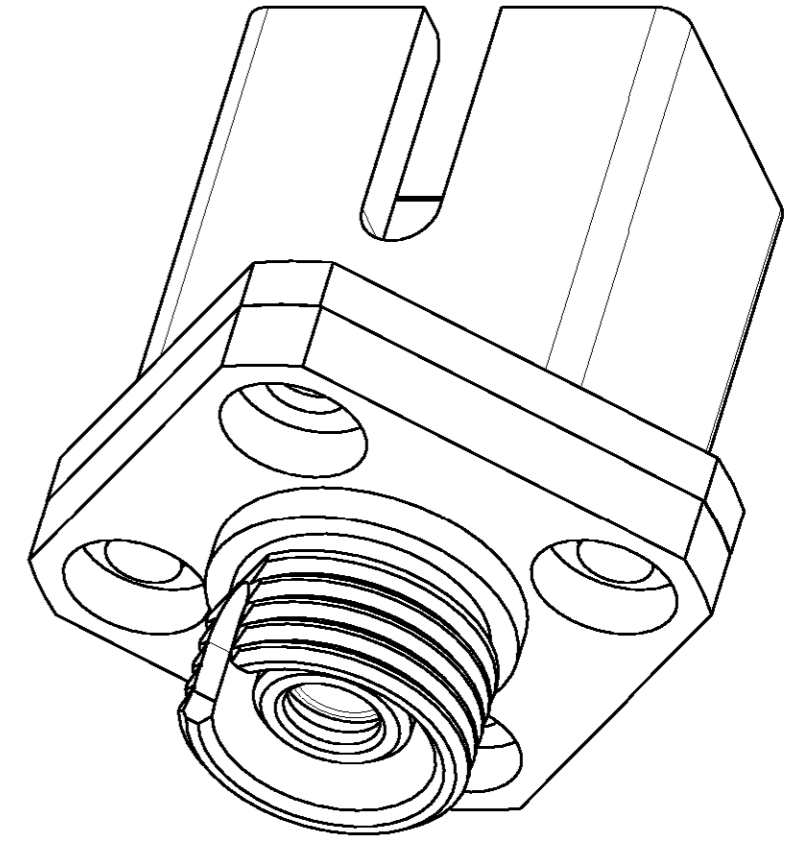
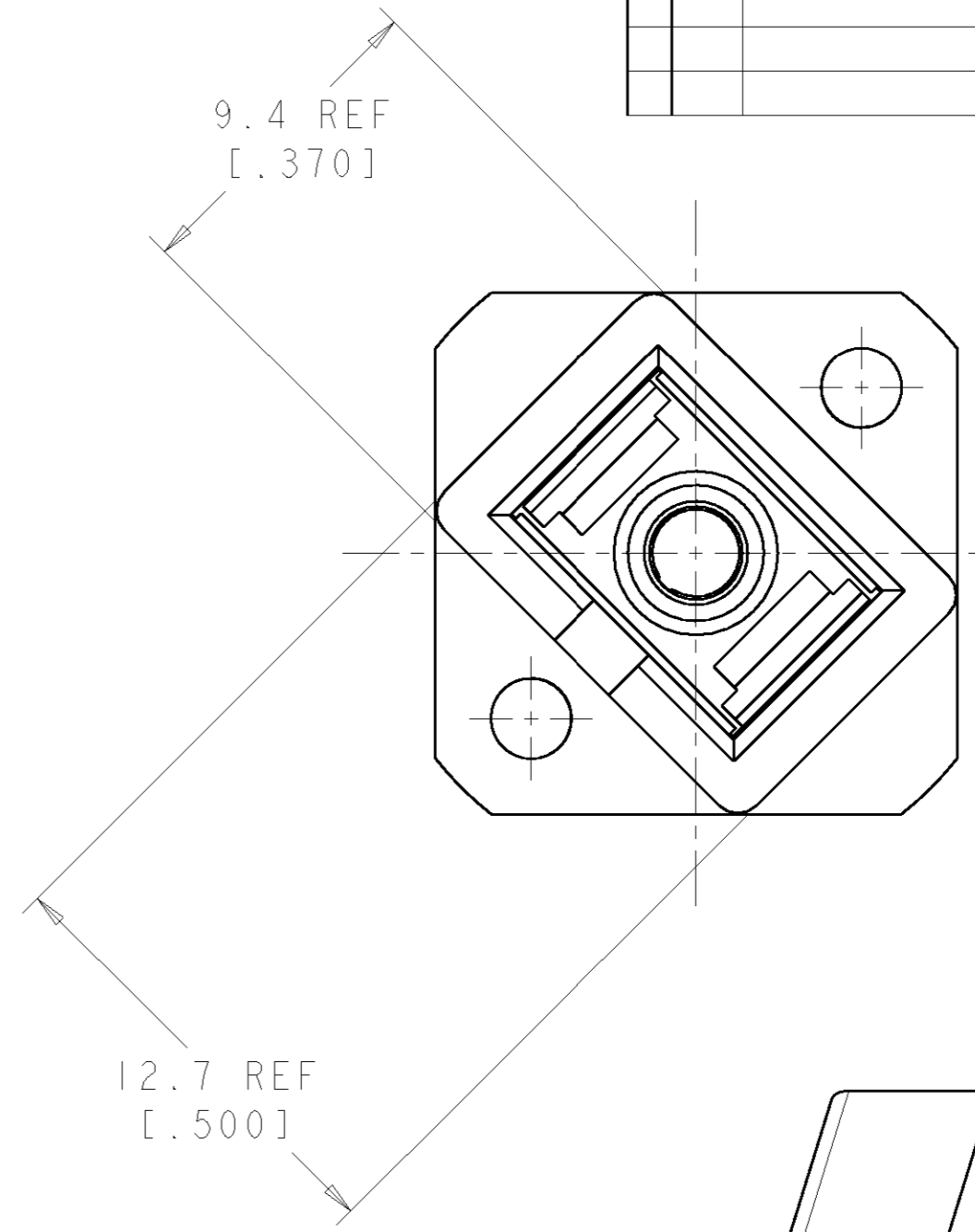
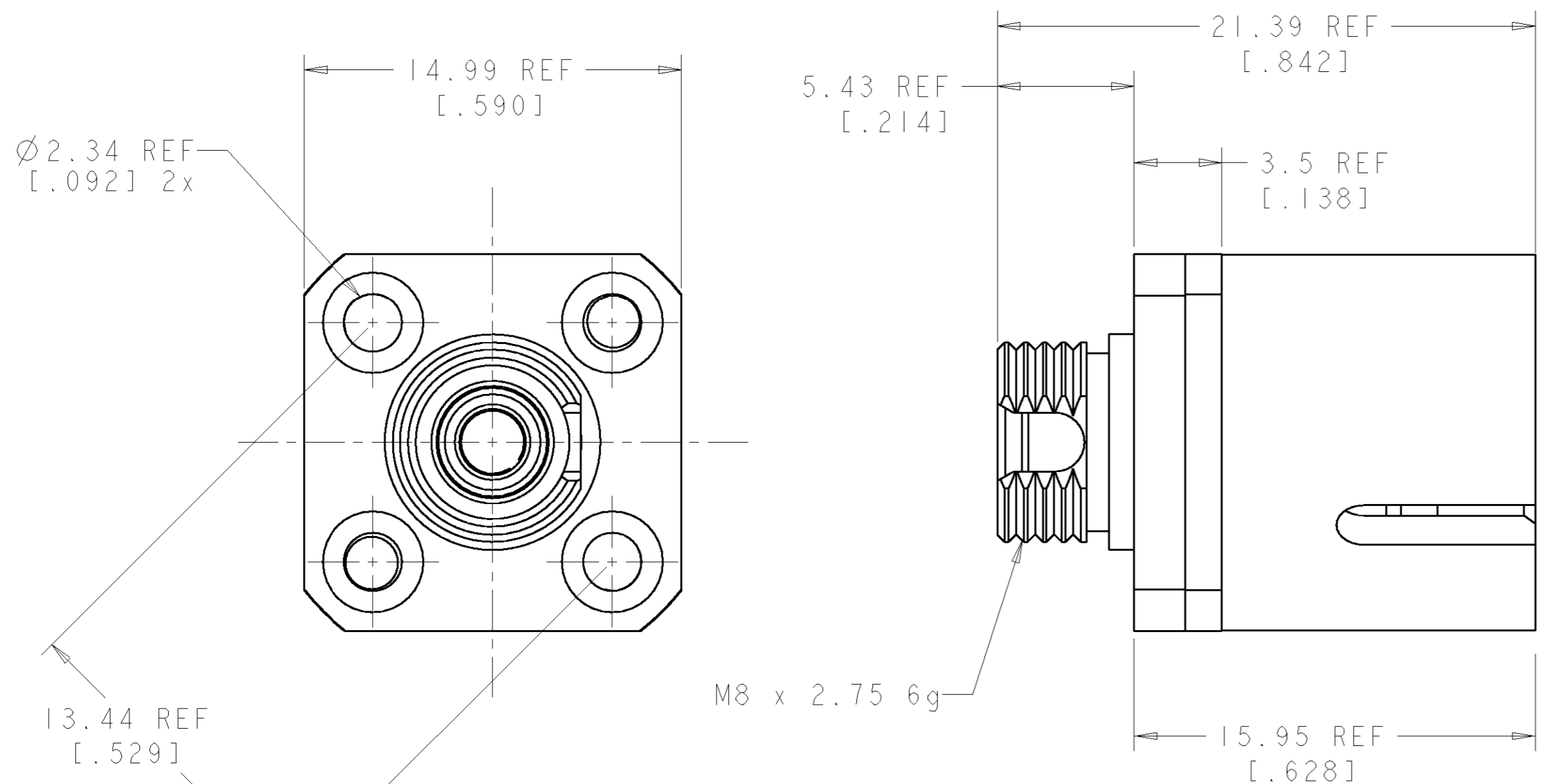


THIS DRAWING IS UNPUBLISHED. RELEASED FOR PUBLICATION 20
 © COPYRIGHT 20 BY TYCO ELECTRONICS CORPORATION. ALL RIGHTS RESERVED.

LOC	DIST	REVISIONS					
CE	00	P	LTR	DESCRIPTION	DATE	DWN	APVD
		J		REVISE PER 0A00-0150-05	22APR2005	BB	SM



SUGGESTED PANEL CUTOUT ³

- 1. PROTECTIVE COVERS NOT SHOWN.
- ² MATERIAL:
 HOUSING: NICKEL PLATED ZINC/BRASS
 SLEEVE: PHOSPHOR BRONZE
 SLEEVE: ZIRCONIA
 PROTECTIVE COVER: VINYL
 PROTECTIVE COVER: THERMOPLASTIC ELASTOMER
- ³ RECOMMENDED PANEL THICKNESS
 1.6±0.1 [.063±.004]

CERAMIC	503480-2
METAL	503480-1
ALIGNMENT SLEEVE	PART NUMBER

THIS DRAWING IS A CONTROLLED DOCUMENT FOR TYCO ELECTRONICS CORPORATION. IT IS SUBJECT TO CHANGE AND THE CONTROLLING ENGINEERING ORGANIZATION SHOULD BE CONTACTED FOR THE LATEST REVISION.		DWN B. BRIGGS 22APR2005	Tyco Electronics Harrisburg, PA 17105-3608	
DIMENSIONS: mm [INCHES]		CHK S. MILLER 22APR2005	NAME ADAPTER, HYBRID, SIMPLEX, METALLIZED AMP SC TO FC TYPE	
TOLERANCES UNLESS OTHERWISE SPECIFIED: 0 PLC ± 1 PLC ± 2 PLC ± 3 PLC ± 4 PLC ± ANGLES ± FINISH		APVD S. RUCHTER 22APR2005	RESTRICTED TO	
MATERIAL ²		PRODUCT SPEC -	SIZE A200779	DRAWING NO G-503480
CUSTOMER DRAWING		APPLICATION SPEC -	SCALE 5:1	SHEET OF 1 REV J