



Connectors > Rectangular Connectors > Connector Contacts



Contact Type: **Receptacle**

Contact Mating Area Plating Material: **Tin**

Wire Contact Termination Area Plating Material: **Pre-Tin**

Operating Voltage: **250 VDC**

## Features

### Product Type Features

Discrete Wire Type	Stranded
Connector & Contact Terminates To	Wire & Cable

### Configuration Features

Compatible With Wire & Cable Type	Discrete Wire
-----------------------------------	---------------

### Electrical Characteristics

Operating Voltage	250 VDC
-------------------	---------

### Contact Features

Wire Contact Termination Area Plating Thickness	1 – 2 $\mu\text{m}$ [39.37 – 78.74 $\mu\text{in}$ ]
Contact Mating Area Plating Material Thickness	1 – 2 $\mu\text{m}$ [39.37 – 78.74 $\mu\text{in}$ ]
Barrel Type	Open
Contact Type	Receptacle
Contact Mating Area Plating Material	Tin
Wire Contact Termination Area Plating Material	Pre-Tin
Contact Retention Within Housing	With



Contact Base Material	Phosphor Bronze
-----------------------	-----------------

Contact Current Rating (Max)	6 A
------------------------------	-----

### Termination Features

Termination Method to Wire & Cable	Crimp
------------------------------------	-------

### Mechanical Attachment

Contact Retention Type Within Housing	Locking Lance
---------------------------------------	---------------

### Dimensions

Compatible Insulation Diameter Range	2 – 2.5 mm [.079 – .098 in]
--------------------------------------	-----------------------------

Wire Size	22 – 18 AWG
-----------	-------------

### Operation/Application

For Multiple Crimp	No
--------------------	----

### Packaging Features

Packaging Quantity	5000
--------------------	------

Packaging Method	Reel
------------------	------

### Product Compliance

[For compliance documentation, visit the product page on TE.com>](#)

EU RoHS Directive 2011/65/EU	Compliant
------------------------------	-----------

EU ELV Directive 2000/53/EC	Compliant
-----------------------------	-----------

China RoHS 2 Directive MIIT Order No 32, 2016	No Restricted Materials Above Threshold
---	---

EU REACH Regulation (EC) No. 1907/2006	Current ECHA Candidate List: JUNE 2023 (235) Candidate List Declared Against: JAN 2023 (233) Does not contain REACH SVHC
--	--

Halogen Content	Low Halogen - Br, Cl, F, I < 900 ppm per homogenous material. Also BFR/CFR/PVC Free
-----------------	---

Solder Process Capability	Not applicable for solder process capability
---------------------------	--

#### Product Compliance Disclaimer

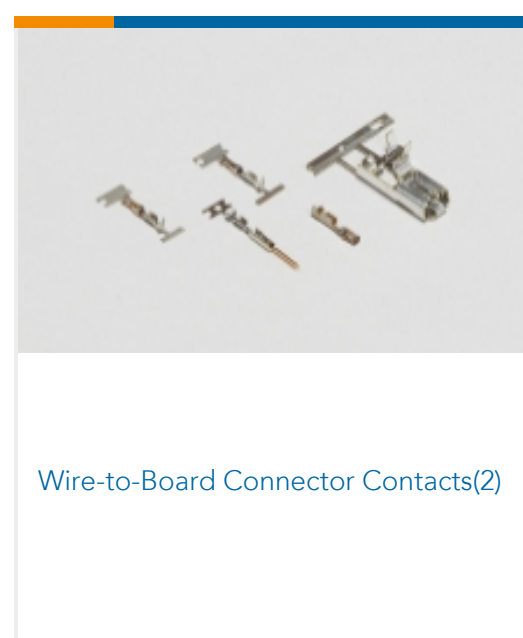
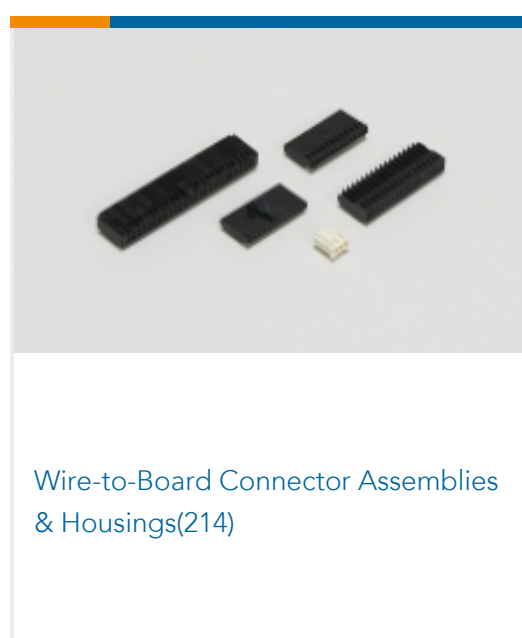
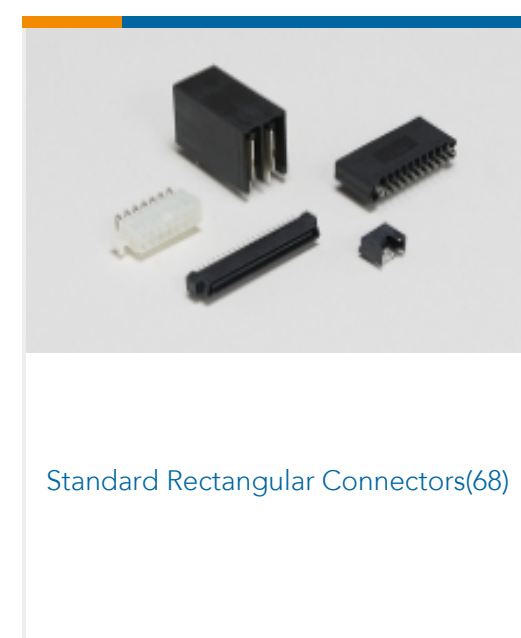
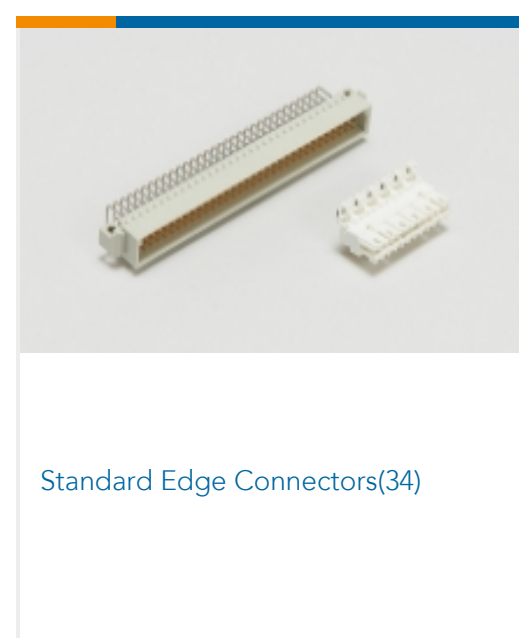
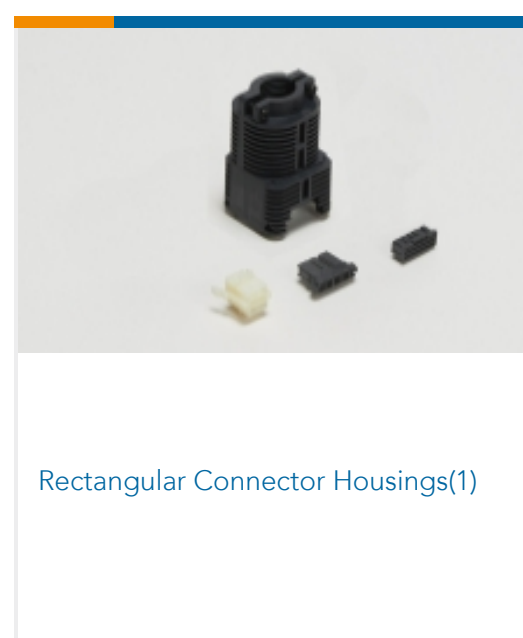
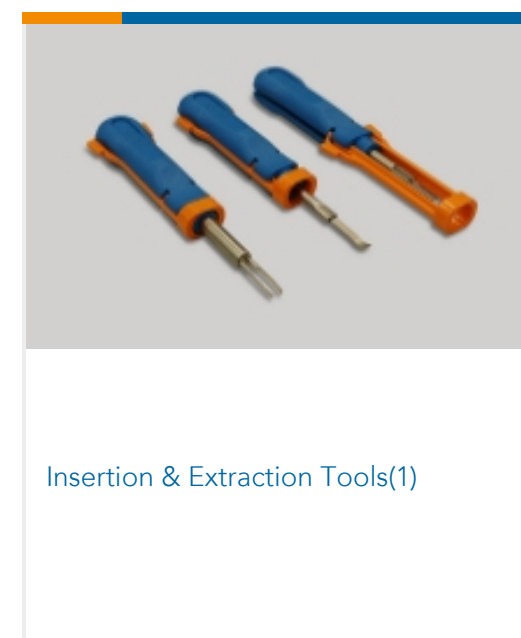
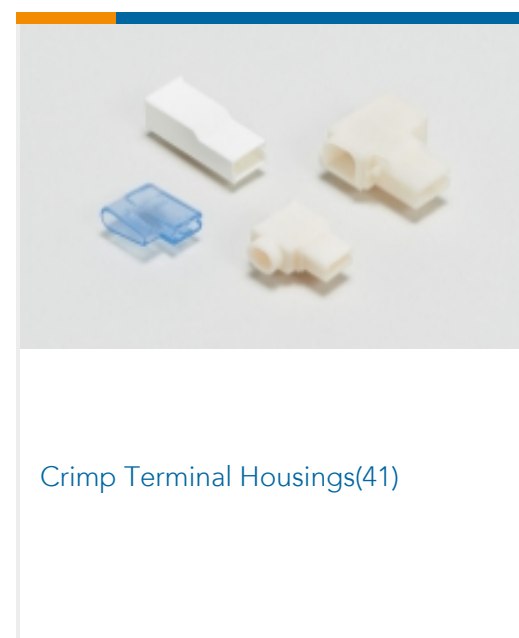
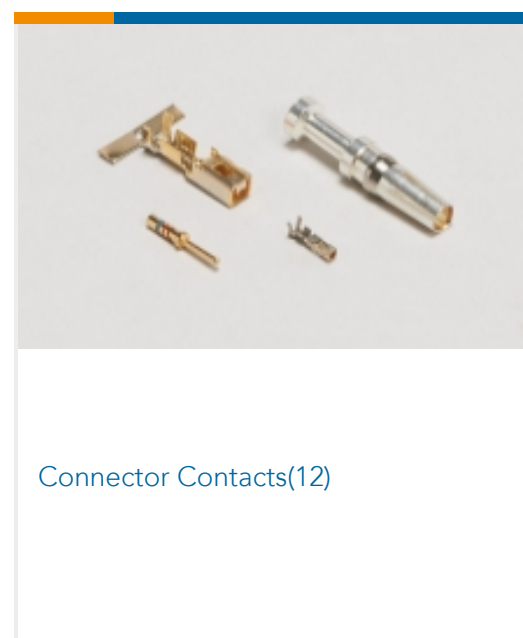
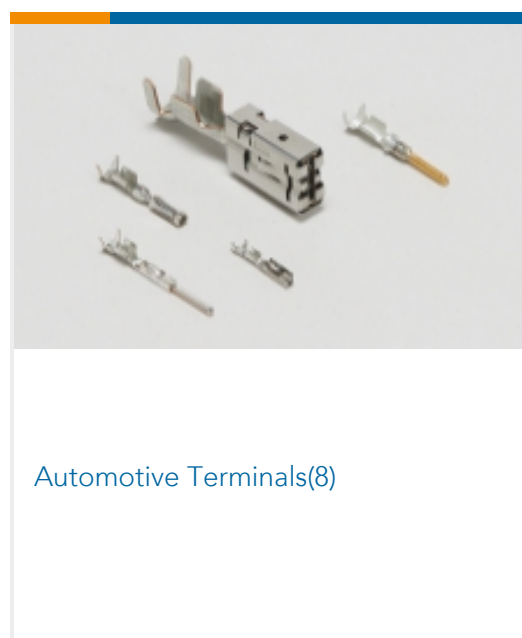
This information is provided based on reasonable inquiry of our suppliers and represents our current actual knowledge based on the information they provided. This information is subject to change. The part numbers that TE has identified as EU RoHS compliant have a maximum concentration of 0.1% by weight in homogenous materials for lead, hexavalent chromium, mercury, PBB, PBDE, DBP, BBP, DEHP, DIBP, and 0.01% for cadmium, or qualify for an exemption to these limits as defined in the Annexes of Directive 2011/65/EU (RoHS2). Finished electrical and electronic equipment products will be CE marked as required by Directive 2011/65/EU. Components may not be CE marked. Additionally, the part numbers that TE has identified as EU ELV compliant have a maximum concentration of 0.1% by weight in homogenous materials for lead, hexavalent chromium, and mercury, and 0.01% for cadmium, or qualify for an exemption to these limits

as defined in the Annexes of Directive 2000/53/EC (ELV). Regarding the REACH Regulation, the information TE provides on SVHC in articles for this part number is based on the latest European Chemicals Agency (ECHA) 'Guidance on requirements for substances in articles' posted at this URL: <https://echa.europa.eu/guidance-documents/guidance-on-reach>

## Compatible Parts



## Also in the Series | RAST 5 IDC Connectors



## Also in the Series | RAST 5D



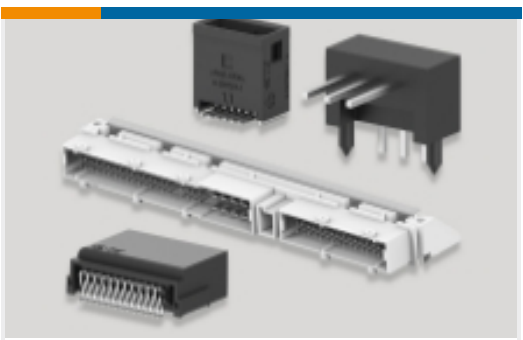
Automotive Terminals(5)



Connector Contacts(10)



Insertion & Extraction Tools(1)



PCB Headers & Receptacles(69)



Wire-to-Board Connector Assemblies & Housings(88)

## Customers Also Bought



TE Part #1775441-4  
EMIX CONN., 1.5MM PITCH, RCPT, HSG, 4P



TE Part #5-747905-2  
9 Rcpt Solder Cup, Gold Flash,



TE Part #5745171-1  
SIZE 1 ASSY KIT .250



TE Part #794617-4  
4POS,MICRO MNL,RCPT HSG



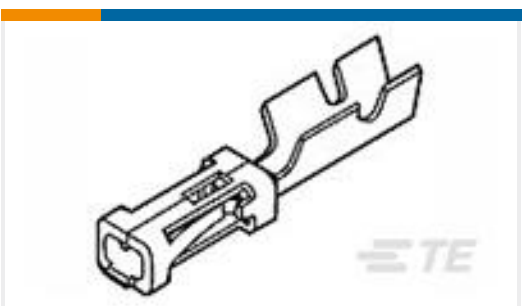
TE Part #5-103957-1  
10X2 MTE RCPT SR LATCH .100CL



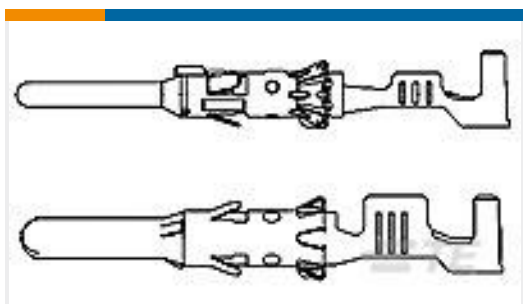
TE Part #926882-3  
UNIV.M-N-L.SOCKET



TE Part #794606-1  
MICRO MNL RPT CNT STRIP 20-24



TE Part #166309-2  
MOD-5 REC.CONTACT



TE Part #929968-1  
2,5MM PIN CONTACT



TE Part #2178474-2  
3POS UMNL CAP HSG V0 GW

## Documents



## Product Drawings

### MT-EDGE CRIM CONTACT

English

---

## CAD Files

### 3D PDF

3D

#### Customer View Model

[ENG\\_CVM\\_CVM\\_926972-1\\_A.2d\\_dxf.zip](#)

English

#### Customer View Model

[ENG\\_CVM\\_CVM\\_926972-1\\_A.3d\\_igs.zip](#)

English

#### Customer View Model

[ENG\\_CVM\\_CVM\\_926972-1\\_A.3d\\_stp.zip](#)

English

By downloading the CAD file I accept and agree to the [Terms and Conditions](#) of use.