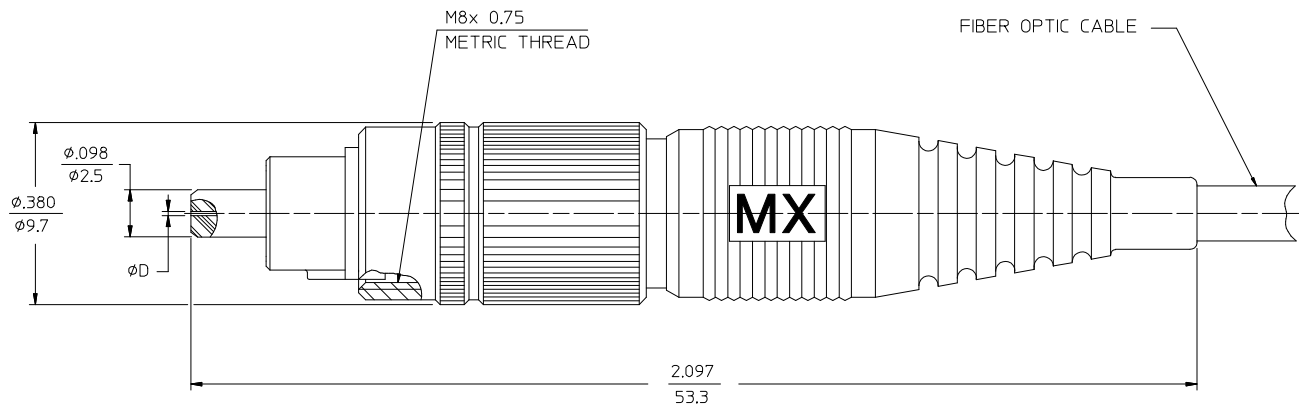


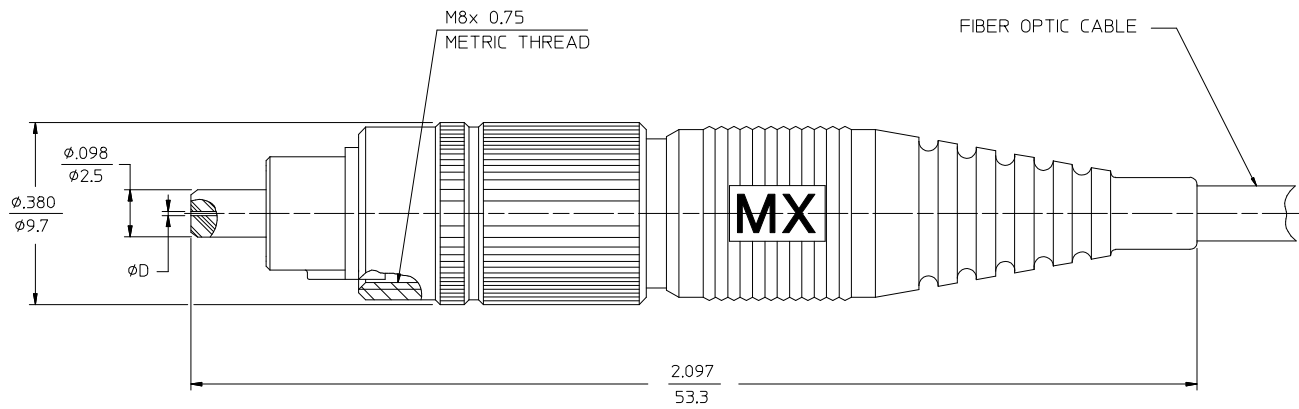
P/N OF FCII CONNECTOR	ØD (Hm)	FERRULE MATERIAL	BOOT COLOR	CABLE DIAMETER	CABLE TYPE
106053-0000	127	Zr	BLACK	3mm	MULTIMODE
106053-0099		LOW COST Zr			
106053-0020*					
106053-2000	125.5		YELLOW		SINGLE MODE
106053-2070		BLACK			
106053-3000	128		BLACK		MULTIMODE
106053-4000	125		YELLOW		SINGLE MODE
106053-4070		BLACK			
106053-5000	126	Zr	YELLOW		
106053-5020*			BLACK		
106053-5070		YELLOW			
106053-7000	127		BLACK		
106053-7070	126		YELLOW		
106053-5300		YELLOW	2.4mm		



* P/Ns 106053-0020 AND 106053-5020 ARE BULK PACKED IN QUANTITIES OF 100 PCS.

ENTER DESCRIPTION EC NO: MF2017-0132 DRWN: HANUMAPPARE 2016/11/04 CHKD: APPR: GJMIN 2016/11/16 REV DESCRIPTION	QUALITY SYMBOLS	GENERAL TOLERANCES (UNLESS SPECIFIED)	DIMENSION STYLE	SCALE	DESIGN UNITS	THIRD ANGLE PROJECTION																												
	▼=0 ▽=0	<table border="1"> <thead> <tr> <th></th> <th>mm</th> <th>INCH</th> </tr> </thead> <tbody> <tr> <td>4 PLACES ±</td> <td>---</td> <td>---</td> </tr> <tr> <td>3 PLACES ±</td> <td>---</td> <td>---</td> </tr> <tr> <td>2 PLACES ±</td> <td>---</td> <td>---</td> </tr> <tr> <td>1 PLACE ±</td> <td>---</td> <td>---</td> </tr> <tr> <td>0 PLACE ±</td> <td>---</td> <td>---</td> </tr> </tbody> </table>		mm	INCH	4 PLACES ±	---	---	3 PLACES ±	---	---	2 PLACES ±	---	---	1 PLACE ±	---	---	0 PLACE ±	---	---	<table border="1"> <thead> <tr> <th colspan="2">IN/MM</th> </tr> </thead> <tbody> <tr> <td>DRAWN BY</td> <td>DATE</td> </tr> <tr> <td>RPACIFICI</td> <td>2005/12/22</td> </tr> <tr> <td>CHECKED BY</td> <td>DATE</td> </tr> <tr> <td>APPROVED BY</td> <td>DATE</td> </tr> </tbody> </table>	IN/MM		DRAWN BY	DATE	RPACIFICI	2005/12/22	CHECKED BY	DATE	APPROVED BY	DATE	5:1	INCH	
		mm	INCH																															
	4 PLACES ±	---	---																															
3 PLACES ±	---	---																																
2 PLACES ±	---	---																																
1 PLACE ±	---	---																																
0 PLACE ±	---	---																																
IN/MM																																		
DRAWN BY	DATE																																	
RPACIFICI	2005/12/22																																	
CHECKED BY	DATE																																	
APPROVED BY	DATE																																	
	ANGULAR ±1/2°	DRAFT WHERE APPLICABLE MUST REMAIN WITHIN DIMENSIONS	MATERIAL NO.	DOCUMENT NO.	FCII CONNECTOR																													
			SEE TABLE	SD-106053-YYYY																														
			SIZE C	THIS DRAWING CONTAINS INFORMATION THAT IS PROPRIETARY TO MOLEX INCORPORATED AND SHOULD NOT BE USED WITHOUT WRITTEN PERMISSION																														

P/N OF FCII CONNECTOR	ØD (Hm)	FERRULE MATERIAL	BOOT COLOR	CABLE DIAMETER	CABLE TYPE
106053-0000	127	Zr	BLACK	3mm	MULTIMODE
106053-0099		LOW COST Zr			
106053-0020*					
106053-2000	125.5		YELLOW		SINGLE MODE
106053-2070		BLACK			
106053-3000	128		BLACK		MULTIMODE
106053-4000	125		YELLOW		SINGLE MODE
106053-4070		BLACK			
106053-5000	126	Zr	YELLOW		
106053-5020*			BLACK		
106053-5070		YELLOW			
106053-7000	127		BLACK		
106053-7070		YELLOW			
106053-5300	126		YELLOW	2.4mm	



* P/Ns 106053-0020 AND 106053-5020 ARE BULK PACKED IN QUANTITIES OF 100 PCS.

ENTER DESCRIPTION EC NO: MF2017-0132 DRWN: HANUMAPPARE 2016/11/04 CHKD: APPR: GJMIN 2016/11/16 REV DESCRIPTION	QUALITY SYMBOLS	GENERAL TOLERANCES (UNLESS SPECIFIED)	DIMENSION STYLE	SCALE	DESIGN UNITS	THIRD ANGLE PROJECTION	
	▼=0 ▽=0	mm INCH	IN/MM	5:1	INCH		
		4 PLACES ± --- ± --- 3 PLACES ± --- ± --- 2 PLACES ± --- ± --- 1 PLACE ± --- ± --- 0 PLACE ± ±	DRAWN BY DATE RPACIFICI 2005/12/22 CHECKED BY DATE	TITLE FCII CONNECTOR			
		ANGULAR ±1/2° DRAFT WHERE APPLICABLE MUST REMAIN WITHIN DIMENSIONS	APPROVED BY DATE	molex MATERIAL NO. SEE TABLE DOCUMENT NO. SD-106053-YYYY SHEET NO. 1 OF 1			
			SIZE THIS DRAWING CONTAINS INFORMATION THAT IS PROPRIETARY TO MOLEX INCORPORATED AND SHOULD NOT BE USED WITHOUT WRITTEN PERMISSION				