

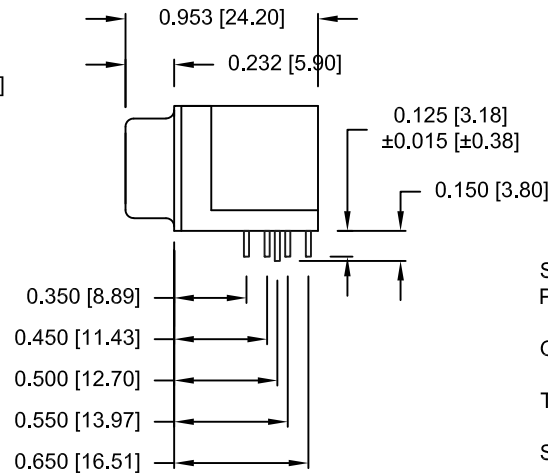
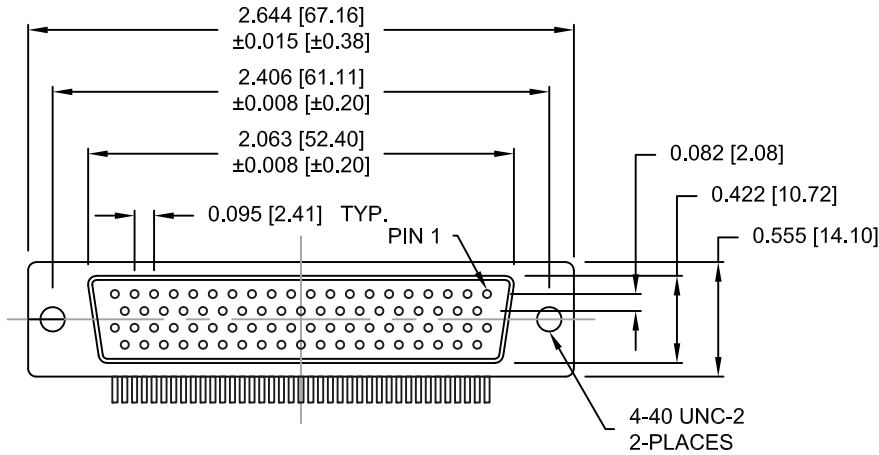
DESCRIPTION: HIGH DENSITY - FEMALE - RIGHT ANGLE

ELECTRICAL:

CURRENT RATING: 3 AMPS
 CONTACT RESISTANCE: 15 MILLIOhms Max.
 INSULATION RESISTANCE: 1,000 MEGOhms Min. AT 500VDC
 WITHSTANDING VOLTAGE: 1,000VAC FOR 1 MINUTE
 TEMPERATURE: -55°C TO +105°C

MATERIALS:

SHELL: STEEL
 INSULATOR: PBT, (UL94-0)
 CONTACT: COPPER ALLOY
 CONTACT FINISH: SEE PART NUMBER KEY BELOW
 BOARD LOCK: BRASS - TIN PLATED
 RIVET INSERT: BRASS - NICKEL PLATED



181-078-2 1 3 L YY 1

SERIES _____
 POSITIONS _____
 078
 GENDER _____
 2 = FEMALE
 TERMINATION _____
 1 = DIP SOLDER
 SHELL PLATING _____
 3 = NICKEL PLATED
 RoHS COMPLIANT _____
 L = LOW TEMP. PROCESS
 HARDWARE OPTIONS _____
 53 = 4-40 INSERTS / BOARDLOCKS
 56 = 4-40 SCREWLOCKS / BOARDLOCKS
 PLATING OPTIONS _____
 1 = GOLD FLASH (MATING AREA)
 TIN TAILS (SOLDER AREA)

DO NOT SCALE FROM DRAWING



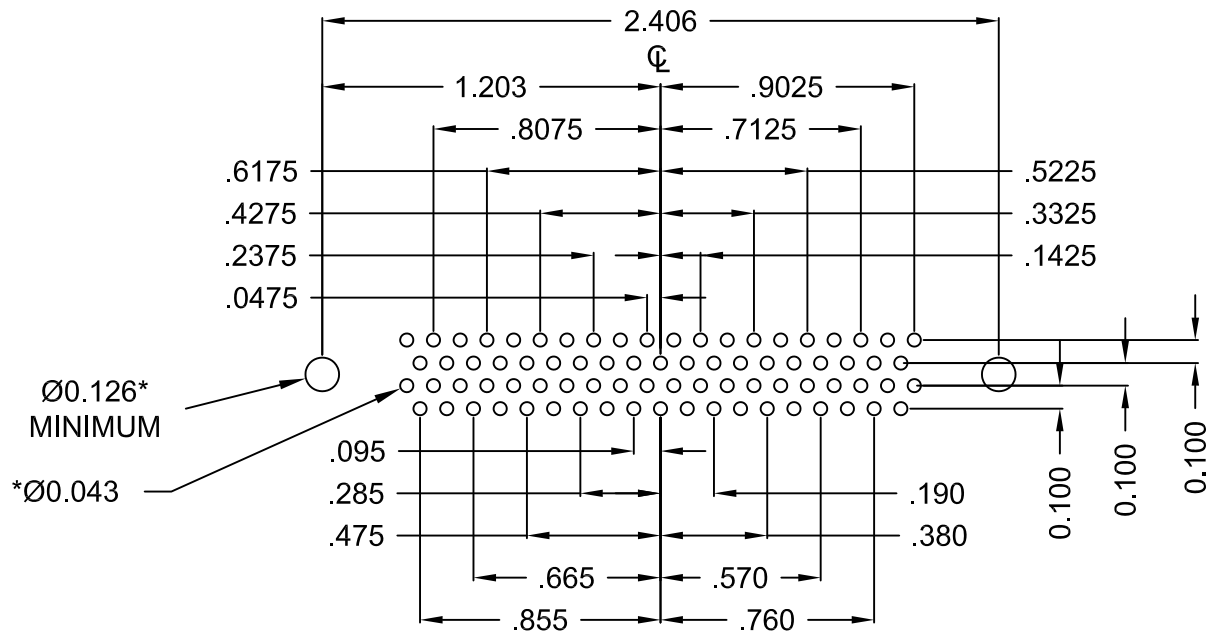
THESE DRAWINGS AND SPECIFICATIONS ARE THE PROPERTY OF NorComp AND SHALL NOT BE REPRODUCED, COPIED OR USED AS THE BASIS FOR THE MANUFACTURE OR SALE OF APPARATUS WITHOUT WRITTEN PERMISSION.

DRAWN: C. SMITH		DATE: 07-01-10	
SCALE: NTS	SHEET 1	OF 2	REV 6
DWG NO. 181-078-213LYY1			

RoHS COMPLIANT

NorComp

DESCRIPTION: PCB LAYOUT - RIGHT ANGLE - FEMALE

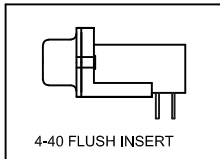
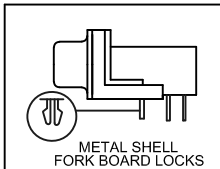


78 POSITION

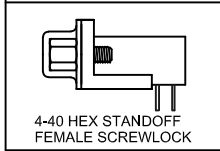
HOLE PATTERN SHOWN ARE FOR MALE

UNITS = inch

* TYP. SUGGESTED SIZE MAY NOT BE SUITABLE FOR ALL APPLICATIONS



53 BOARD LOCKS IN FRONT HOLE



56 BOARD LOCKS IN FRONT HOLE

DO NOT SCALE FROM DRAWING

	THESE DRAWINGS AND SPECIFICATIONS ARE THE PROPERTY OF NorComp AND SHALL NOT BE REPRODUCED, COPIED OR USED AS THE BASIS FOR THE MANUFACTURE OR SALE OF APPARATUS WITHOUT WRITTEN PERMISSION.		DRAWN: C. SMITH	DATE: 07-01-10
	<h1>NorComp</h1>		SCALE: NTS	SHEET 1 OF 2
			DWG NO. 181-078-213LYY1	