

THIS DRAWING IS UNPUBLISHED. RELEASED FOR PUBLICATION  
 © COPYRIGHT BY TYCO ELECTRONICS CORPORATION. ALL RIGHTS RESERVED.

LOC	DIST	REVISIONS					
EA	51	P	LTR	DESCRIPTION	DATE	DWN	APVD
		A		SEE SHEET 2	05JUN06	LGE	RP

NOTE :

- CONNECTOR KEYING CONFORMS TO ANSI X3T9.5/84-48.
- LED IS 'ON' WHEN IN INSERTED STATE.
- THIS PRODUCT HAS NOT COMPLETED VALIDATION TESTING.

SPECIFICATIONS :

SWITCH LEGEND	
PI = PRIMARY IN	PTx = PRIMARY TRANSMIT
SO = SECONDARY OUT	STx = SECONDARY TRANSMIT
PO = PRIMARY OUT	PRx = PRIMARY RECEIVE
SI = SECONDARY IN	SRx = SECONDARY RECEIVE

FIBER TYPE	62.5/125/250
------------	--------------

INSERTION LOSS

INSERTION LOSS DATA INCLUDES TWO CONNECTED PAIRS TESTED PER FOTP-34 METHOD A2

OPERATE MODE, POWER ON

PI LINE TO PRX STATION	1.8 DB MAX
SI LINE TO SRX STATION	1.8 DB MAX
PTX STATION TO PO LINE	1.8 DB MAX
STX STATION TO SO LINE	1.8 DB MAX

BYPASS MODE, POWER OFF

PI LINE TO PO LINE	1.8 DB MAX
SI LINE TO SO LINE	1.8 DB MAX
PTX STATION TO PRX STATION	5.0 DB MAX
STX STATION TO SRX STATION	5.0 DB MAX

OPTICAL CROSSTALK

</= -45 DB, PER FOTP-42

OPERATING WAVE LENGTH

750 TO 1450nm

TESTED WAVELENGTH

1300nm

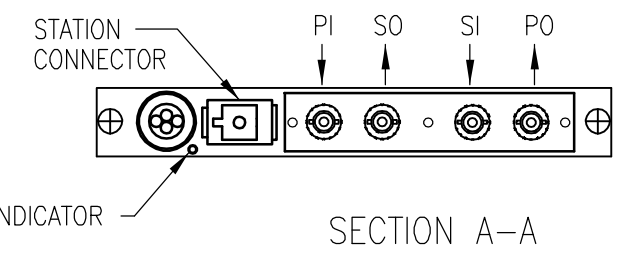
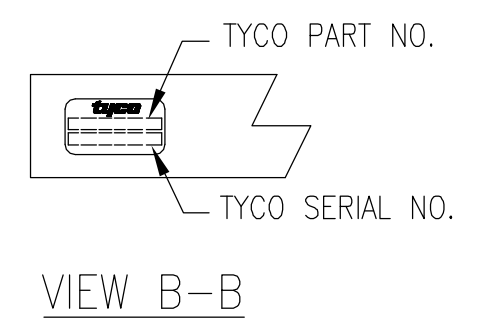
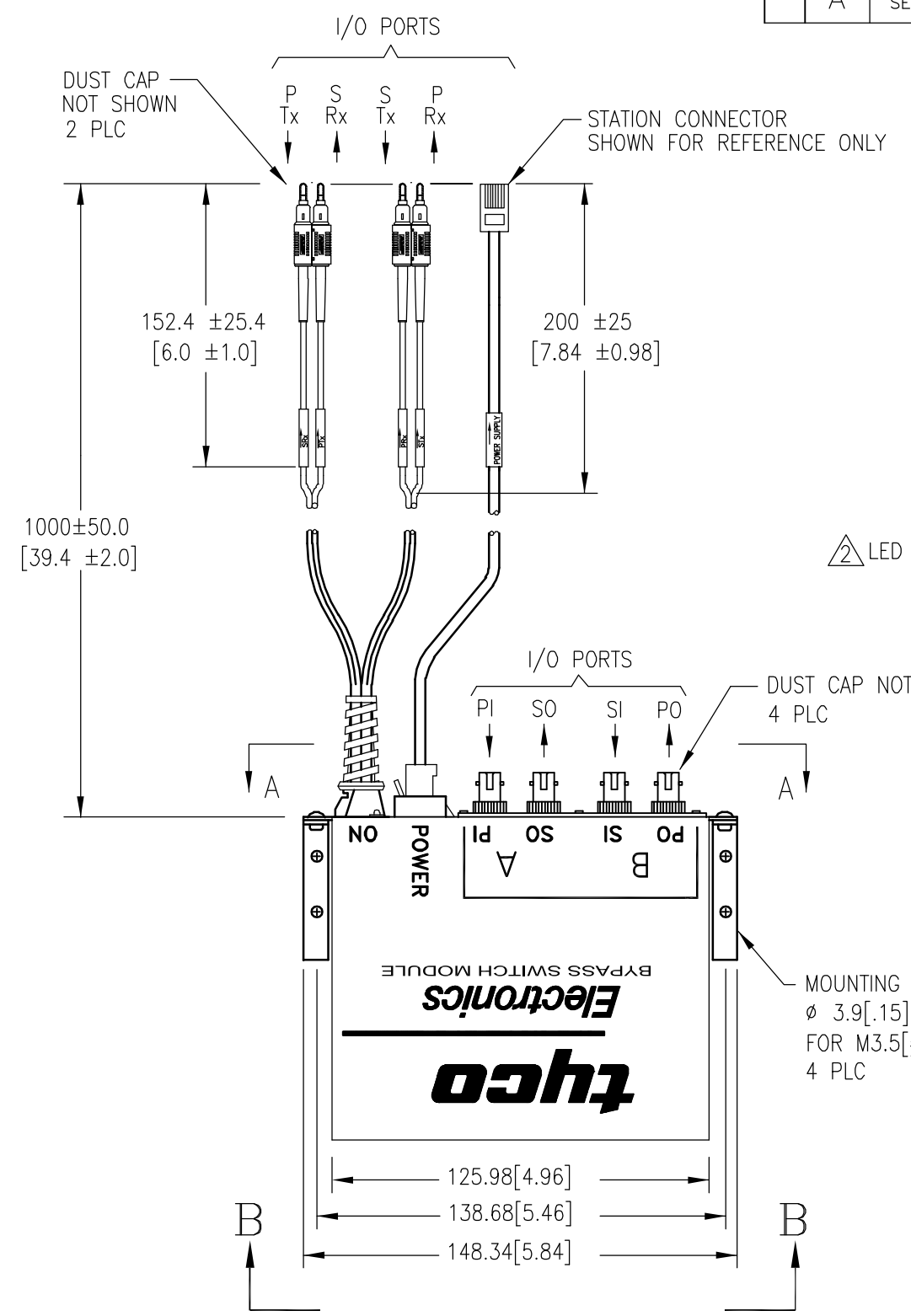
POWER REQUIREMENTS

4.0 TO 5.5 VDC

190 MA MAX AT 5.0 VDC W/ LED

SWITCHING SPEED

10 MILLISECONDS MAX




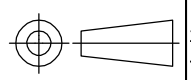
KIT P/N	MODULE P/N	POWER CORD P/N	STATION CONNECTOR TYPE
5209175-3	5209665-3	5209503-1	6 POS. SHIELDED MOD PLUG
5209175-4	5209665-3	5209504-1	6 POS. SHIELDED MINI DIN
5209175-6	5209665-3	5209506-1	4 POS. MOD PLUG
5209175-8	5209665-3	5209659-2	6 POS MOD 4 PLUG 2M

THIS DRAWING IS A CONTROLLED DOCUMENT.		DWN	S. MONGOLD	30JAN06	<b>tyco</b> Electronics	Tyco Electronics Corporation	
DIMENSIONS: mm [INCHES]		CHK	R. PAUL	30JAN06		Harrisburg, PA 17105-3608	
TOLERANCES UNLESS OTHERWISE SPECIFIED:		APVD	F. ABENDSCHEIN	30JAN06	NAME		
0 PLC ± -		PRODUCT SPEC		-			
1 PLC ± 0.5 [.020]		APPLICATION SPEC		-			
2 PLC ± 0.38 [.015]		WEIGHT		-			
3 PLC ± -		CUSTOMER DRAWING		-			
4 PLC ± -		SCALE		1:1			
ANGLES ± 2°		SHEET		1 OF 2			
FINISH		REV		A			
MATERIAL		SIZE		CAGE CODE		DRAWING NO	
-		A3		00779		5209175	
-		RESTRICTED TO		-			

THIS DRAWING IS UNPUBLISHED. RELEASED FOR PUBLICATION  
 © COPYRIGHT - BY TYCO ELECTRONICS CORPORATION. ALL RIGHTS RESERVED.

LOC	DIST	REVISIONS					
		P	LTR	DESCRIPTION	DATE	DWN	APVD
EA	51			SEE REVISION CHART	-	-	-

DATE	REVISION	CHANGES	REASON	APPROVAL
30JAN06	1	PRINT CREATED	-	RP
02MAR06	2	UPDATED PER BYPASS SWITCH KIT EXAMPLE PRINT, ADD -8	-	RP
05JUN06	A	CHANGE STATUS TO ACTIVE	-	RP

THIS DRAWING IS A CONTROLLED DOCUMENT.		DWN S. MONGOLD 30JAN06	 Tyco Electronics Corporation Harrisburg, PA 17105-3608		
DIMENSIONS: mm [INCHES]		CHK R. PAUL 30JAN06	NAME		
		APVD F. ABENDSCHEIN 30JAN06	-		
TOLERANCES UNLESS OTHERWISE SPECIFIED:		PRODUCT SPEC	BYPASS, SWITCH KIT, ST, ADAPTOR/SC, DUPLEX, PIGTAILS		
0 PLC ± -		APPLICATION SPEC	SIZE	CAGE CODE	DRAWING NO
1 PLC ± 0.5 [.020]			A3	00779	5209175
2 PLC ± 0.38 [.015]			RESTRICTED TO		-
3 PLC ± -		WEIGHT	CUSTOMER DRAWING		
4 PLC ± -			SCALE	SHEET	REV
ANGLES ± 2'			1:1	2 OF 2	A
MATERIAL	FINISH				
-	-				