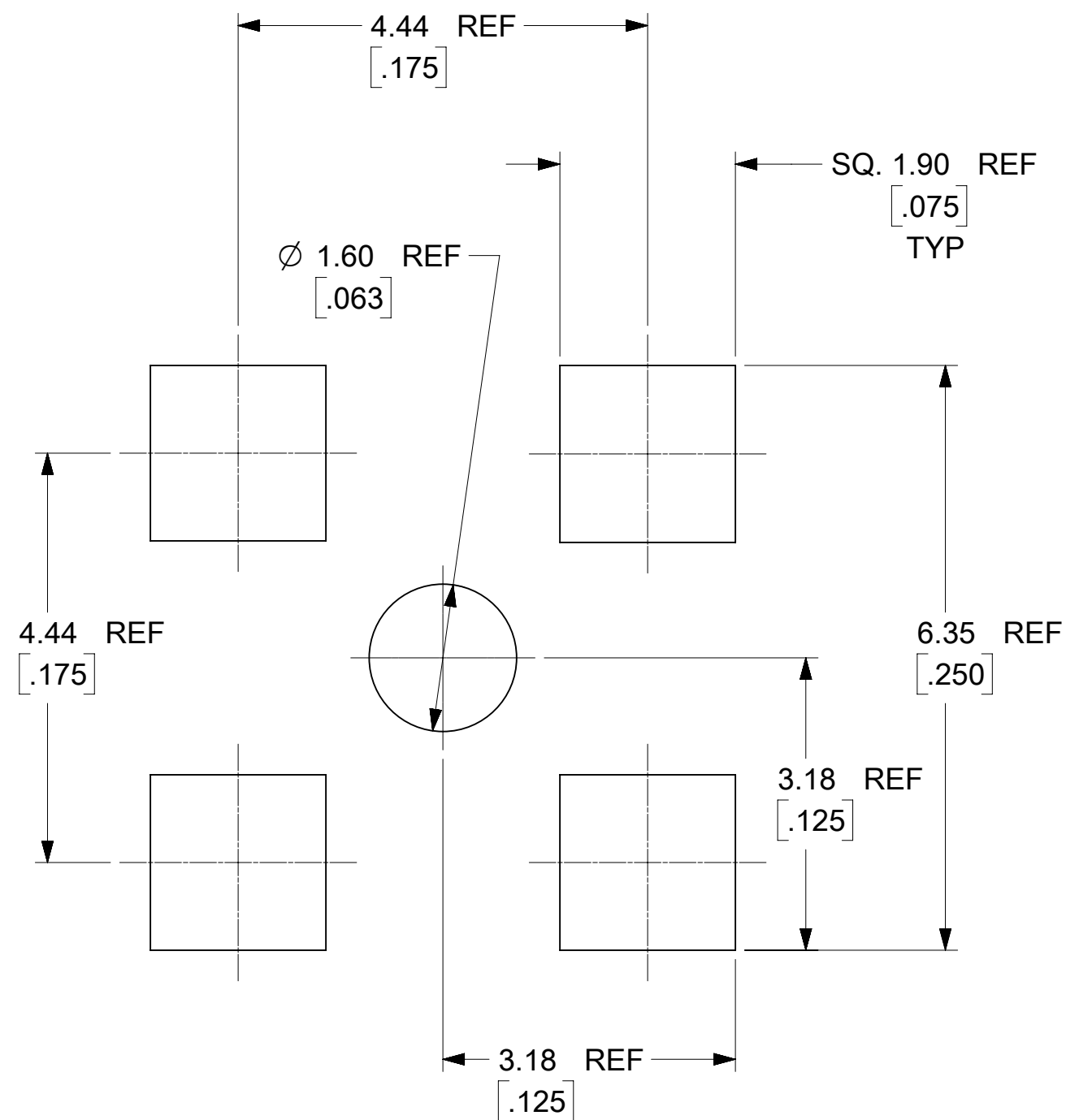
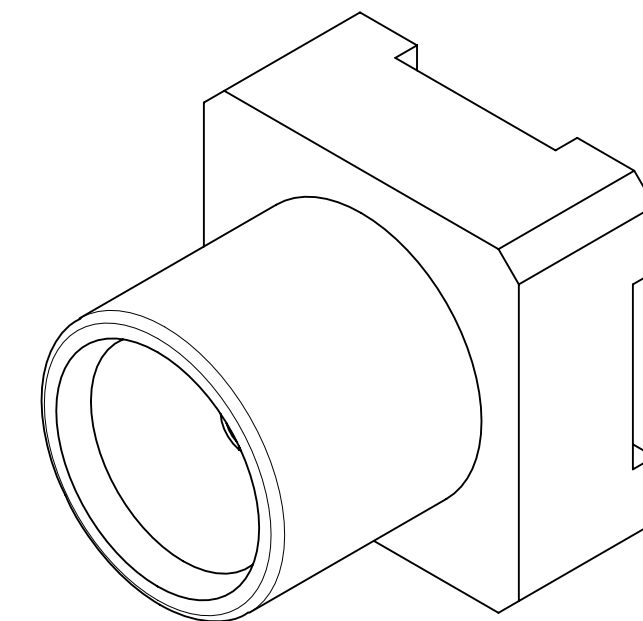


MATERIALS AND FINISHES:

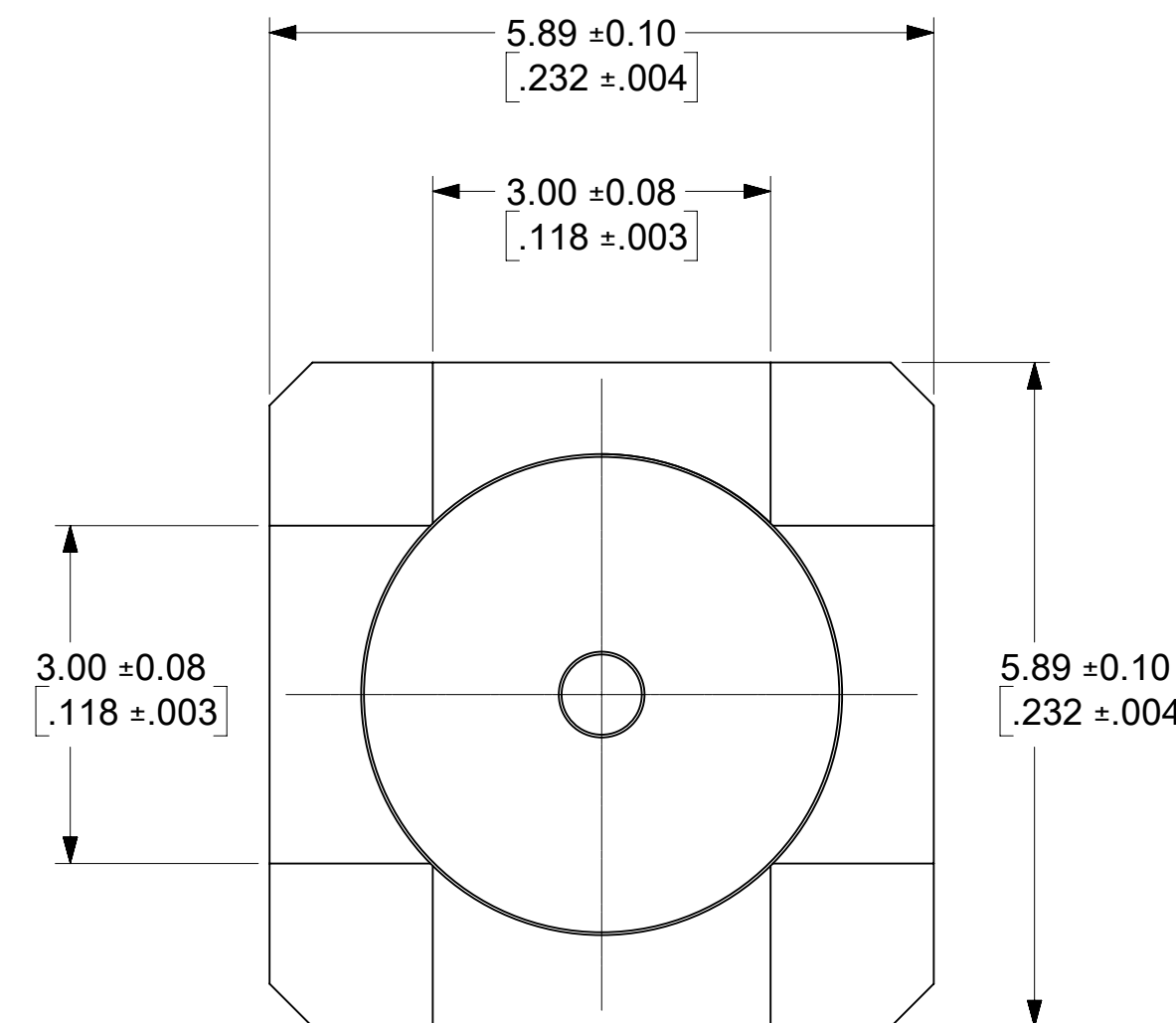
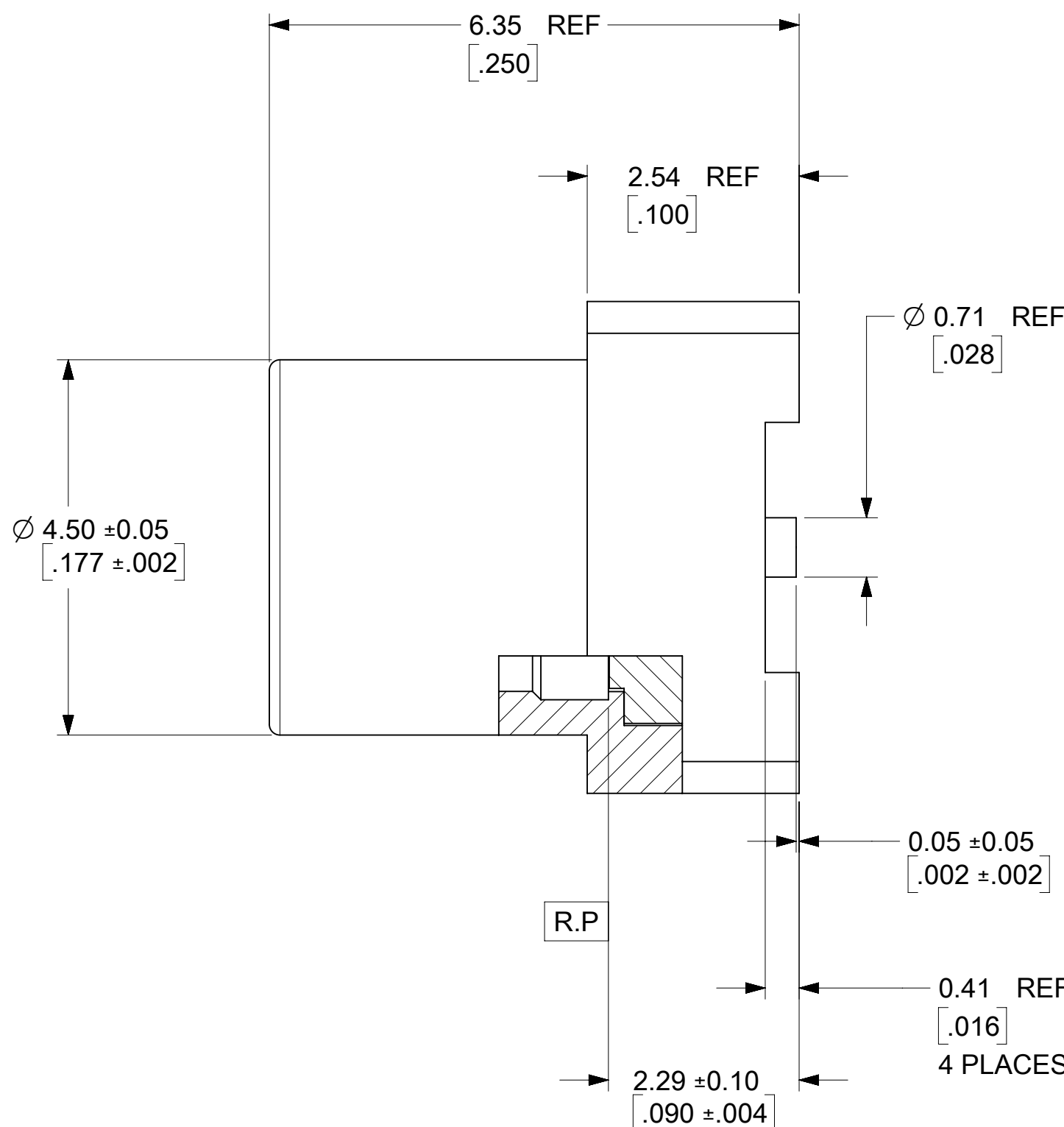
BODY: BRASS
PLATED SEE TABLE

CENTER CONTACT: BERYLLIUM COPPER
PLATED SEE TABLE

INSULATOR: PTFE



RECOMMENDED MOUNTING PATTERN



FUNCTIONAL SYMBOLS	THIS DRAWING CONTAINS INFORMATION THAT IS PROPRIETARY TO MOLEX ELECTRONIC TECHNOLOGIES, LLC AND SHOULD NOT BE USED WITHOUT WRITTEN PERMISSION										
	DIMENSION UNITS	SCALE		CURRENT REV DESC:							
$\frac{F}{A} = 0$	MM/INCH	NTS		EWR # 15426-A ADDED -1639 PART NO FOR TRAY PACKING							
$\frac{F}{C} = 0$	GENERAL TOLERANCES (UNLESS SPECIFIED)			EC NO: 720547						MCX JACK,PCB,SMT,75 OHMS MCX-J/PCB, EWR-11739	
$\frac{F}{P} = 0$		MM	INCH	DRWN: JSU18 2022/09/08							
DIVISIONAL SYMBOLS	4 PLACES	±	±	CHK'D: YCHENG 2022/09/13						PRODUCT CUSTOMER DRAWING	
	3 PLACES	±	± 0.005	APPR: YCHENG 2022/09/13							
	2 PLACES	± 0.13	± 0.01	INITIAL REVISION:						DOCUMENT NUMBER SD-73415-163	
	1 PLACE	± 0.25	±	DRWN: TEF 2000/01/05							
	0 PLACES	±	±	APPR: GMH 2000/01/05						DOC TYPE DOC PART REVISION PSD 001 A10	
	ANGULAR TOL	± 2.0 °		THIRD ANGLE PROJECTION		DRAWING	SERIES	MATERIAL NUMBER	CUSTOMER	SHEET NUMBER	
	DRAFT WHERE APPLICABLE MUST REMAIN WITHIN DIMENSIONS					C-SIZE	73415	SEE TABLE		1 OF 8	

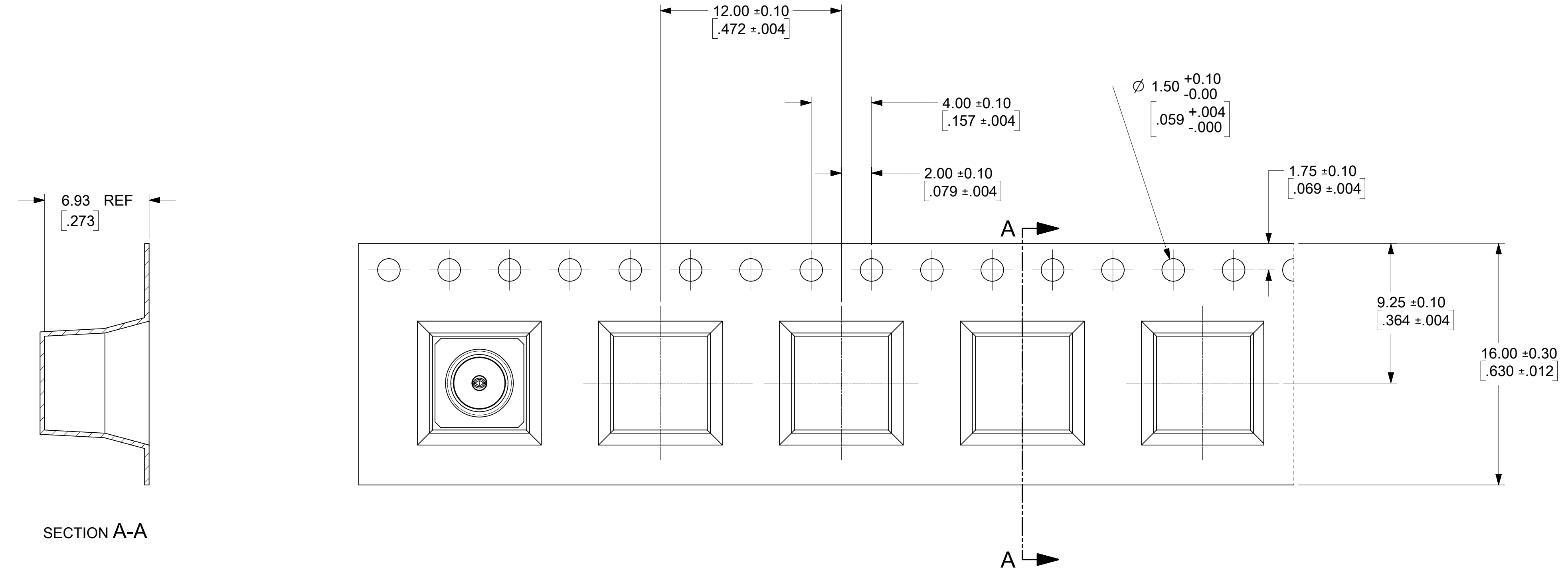
DOCUMENT STATUS	P1	RELEASE DATE	2022/09/13 10:28:02
-----------------	----	--------------	---------------------

73415-1639	SEE TABLE	P/N 73415-1631,TRAY (DU 3200PCS)
73415-1638	SEE TABLE	TAPE AND REEL (SPQ/DU 800PCS) WITH KAPTON TAPE OF 73415-1631
73415-1637	SEE TABLE	TAPE AND REEL (SPQ 800 PCS) WITHOUT KAPTON TAPE OF 73415-1630
73415-1636	SEE TABLE	TAPE AND REEL (SPQ 800 PCS) WITH KAPTON TAPE OF 73415-1630
73415-1635	SEE TABLE	P/N 73415-1631, ONE PIECE PER BAG
73415-1634	SEE TABLE	P/N 73415-1630, ONE PIECE PER BAG
73415-1633	SEE TABLE	TAPE AND REEL (SPQ 800 PCS) WITHOUT KAPTON TAPE OF 73415-1631
73415-1632	SEE TABLE	TAPE AND REEL (SPQ 800 PCS) WITH KAPTON TAPE OF 73415-1631
73415-1631	SEE TABLE	INDIVIDUAL, 100 PCS PER BAG
73415-1630	SEE TABLE	INDIVIDUAL, 100 PCS PER BAG
PART NO.	PLATING	PACKAGING

CONTACT	GOLD (10μ-in MIN)	GOLD (30μ-in MIN)
BODY	TRI-M3 (80μ-in MIN)	GOLD (10μ-in MIN)
PART NO.	73415-1630	73415-1631

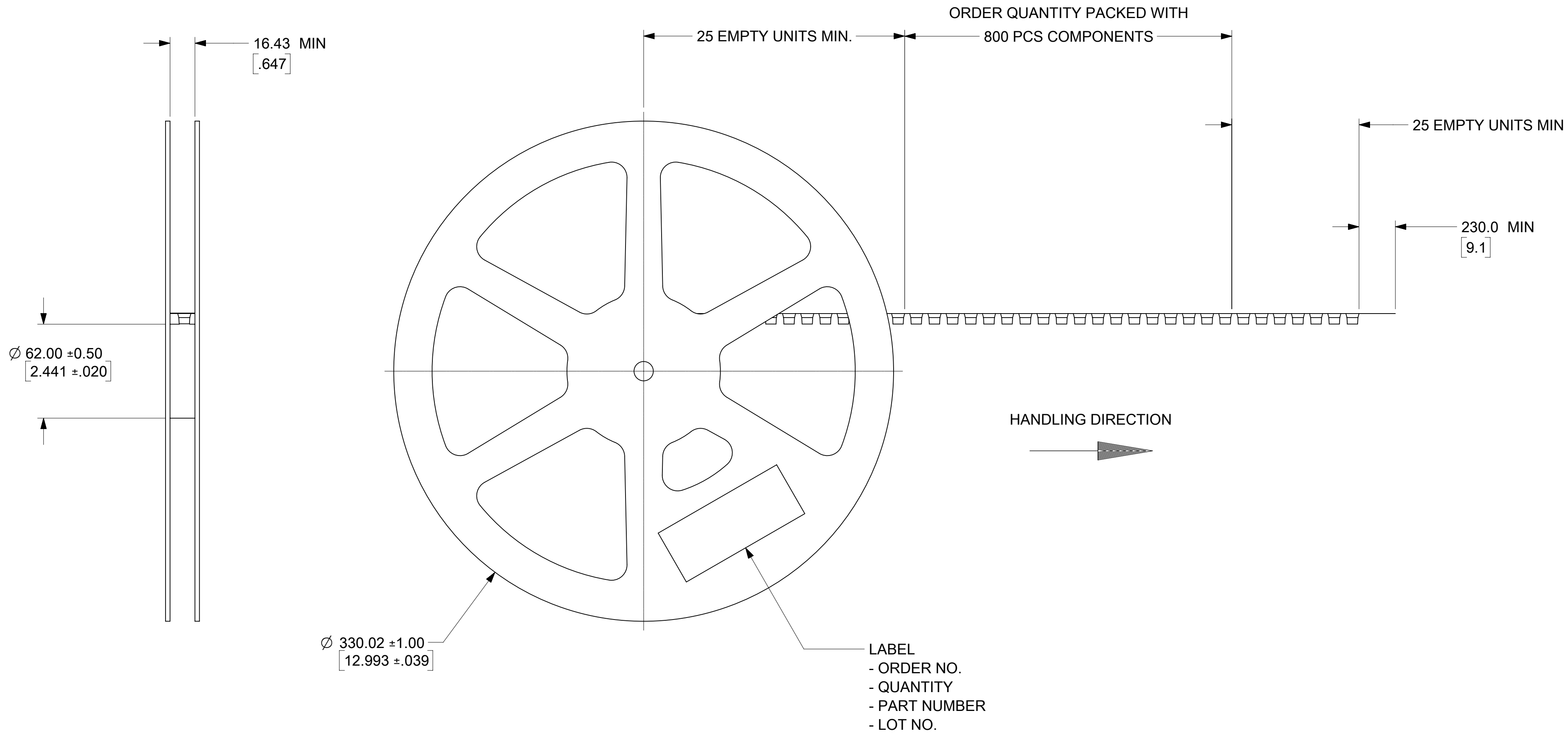
FUNCTIONAL SYMBOLS FA = 0 FC = 0 FP = 0	THIS DRAWING CONTAINS INFORMATION THAT IS PROPRIETARY TO MOLEX ELECTRONIC TECHNOLOGIES, LLC AND SHOULD NOT BE USED WITHOUT WRITTEN PERMISSION		CURRENT REV DESC:		molex
	DIMENSION UNITS MM/INCH	SCALE NTS	EWR # 15426-A ADDED -1639 PART NO FOR TRAY PACKING		
DIVISIONAL SYMBOLS	GENERAL TOLERANCES (UNLESS SPECIFIED)		EC NO: 720547		MCX JACK,PCB,SMT,75 OHMS MCX-J/PCB, EWR-11739
	4 PLACES	±	±	2022/09/08	
	3 PLACES	±	± 0.005	2022/09/13	PRODUCT CUSTOMER DRAWING
	2 PLACES	±	0.13	± 0.01	
	1 PLACE	±	0.25	±	DOCUMENT NUMBER SD-73415-163
	0 PLACES	±	±	±	
	ANGULAR TOL	±	2.0 °		DOC PART 001
DRAFT WHERE APPLICABLE MUST REMAIN WITHIN DIMENSIONS		THIRD ANGLE PROJECTION		DRAWING C-SIZE	REVISION A10
				SERIES 73415	SHEET NUMBER 2 OF 8

DOCUMENT STATUS	P1	RELEASE DATE	2022/09/13	10:28:02
-----------------	----	--------------	------------	----------



FUNCTIONAL SYMBOLS $\frac{F}{A} = 0$ $\frac{F}{C} = 0$ $\frac{F}{P} = 0$ DIVISIONAL SYMBOLS	THIS DRAWING CONTAINS INFORMATION THAT IS PROPRIETARY TO MOLEX ELECTRONIC TECHNOLOGIES, LLC AND SHOULD NOT BE USED WITHOUT WRITTEN PERMISSION																										
	DIMENSION UNITS: MM/INCH SCALE: NTS		CURRENT REV DESC:																								
	GENERAL TOLERANCES (UNLESS SPECIFIED)		EWR # 15426-A ADDED -1639 PART NO FOR TRAY PACKING																								
	<table border="1"> <thead> <tr> <th></th> <th>MM</th> <th>INCH</th> </tr> </thead> <tbody> <tr> <td>4 PLACES</td> <td>±</td> <td>±</td> </tr> <tr> <td>3 PLACES</td> <td>±</td> <td>± 0.005</td> </tr> <tr> <td>2 PLACES</td> <td>± 0.13</td> <td>± 0.01</td> </tr> <tr> <td>1 PLACE</td> <td>± 0.25</td> <td>±</td> </tr> <tr> <td>0 PLACES</td> <td>±</td> <td>±</td> </tr> </tbody> </table>			MM	INCH	4 PLACES	±	±	3 PLACES	±	± 0.005	2 PLACES	± 0.13	± 0.01	1 PLACE	± 0.25	±	0 PLACES	±	±	EC NO: 720547 DRWN: JSU18 CHK'D: YCHENG APPR: YCHENG			2022/09/08 2022/09/13 2022/09/13			
	MM	INCH																									
4 PLACES	±	±																									
3 PLACES	±	± 0.005																									
2 PLACES	± 0.13	± 0.01																									
1 PLACE	± 0.25	±																									
0 PLACES	±	±																									
ANGULAR TOL ± 2.0 ° DRAFT WHERE APPLICABLE MUST REMAIN WITHIN DIMENSIONS		INITIAL REVISION: DRWN: DRWN BY APPR: APPR BY			XXXX/XX/XX XXXX/XX/XX																						
		THIRD ANGLE PROJECTION 		DRAWING: C-SIZE SERIES: 73415		DOCUMENT NUMBER: SD-73415-163 MATERIAL NUMBER:			DOC TYPE: PSD DOC PART: 001 REVISION: A10																		
				CUSTOMER:			SHEET NUMBER: 3 OF 8																				

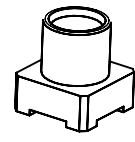
PART NO. 73415-1636
 13" REEL SIZE FOR 800 PIECES



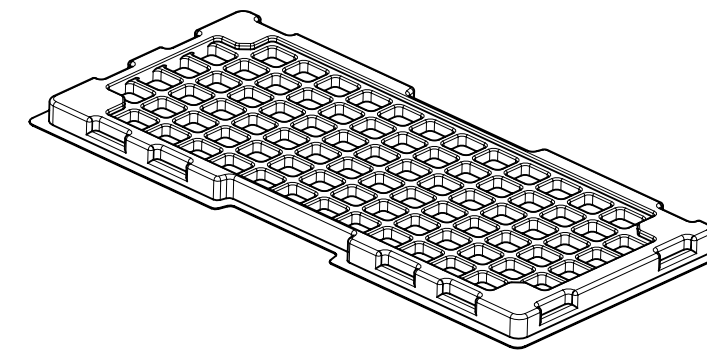
LABEL
 - ORDER NO.
 - QUANTITY
 - PART NUMBER
 - LOT NO.

FUNCTIONAL SYMBOLS	THIS DRAWING CONTAINS INFORMATION THAT IS PROPRIETARY TO MOLEX ELECTRONIC TECHNOLOGIES, LLC AND SHOULD NOT BE USED WITHOUT WRITTEN PERMISSION												
	DIMENSION UNITS	SCALE		CURRENT REV DESC:									
$\frac{F}{A} = 0$	MM/INCH	NTS		EWR # 15426-A ADDED -1639 PART NO FOR TRAY PACKING									
$\frac{F}{C} = 0$	GENERAL TOLERANCES (UNLESS SPECIFIED)			EC NO: 720547						MCX JACK,PCB,SMT,75 OHMS MCX-J/PCB, EWR-11739			
$\frac{F}{P} = 0$		MM	INCH	DRWN: JSU18 2022/09/08									
DIVISIONAL SYMBOLS	4 PLACES	±	±	CHK'D: YCHENG 2022/09/13						PRODUCT CUSTOMER DRAWING			
	3 PLACES	±	± 0.005	APPR: YCHENG 2022/09/13									
	2 PLACES	± 0.13	± 0.01	INITIAL REVISION:						DOCUMENT NUMBER	DOC TYPE	DOC PART	REVISION
	1 PLACE	± 0.25	±	DRWN: DRWN BY XXXX/XX/XX						SD-73415-163	PSD	001	A10
0 PLACES	±	±	APPR: APPR BY XXXX/XX/XX						MATERIAL NUMBER	CUSTOMER		SHEET NUMBER	
ANGULAR TOL ± 2.0 °			THIRD ANGLE PROJECTION		DRAWING	SERIES	MATERIAL NUMBER		CUSTOMER		SHEET NUMBER		
DRAFT WHERE APPLICABLE MUST REMAIN WITHIN DIMENSIONS					C-SIZE	73415					4 OF 8		

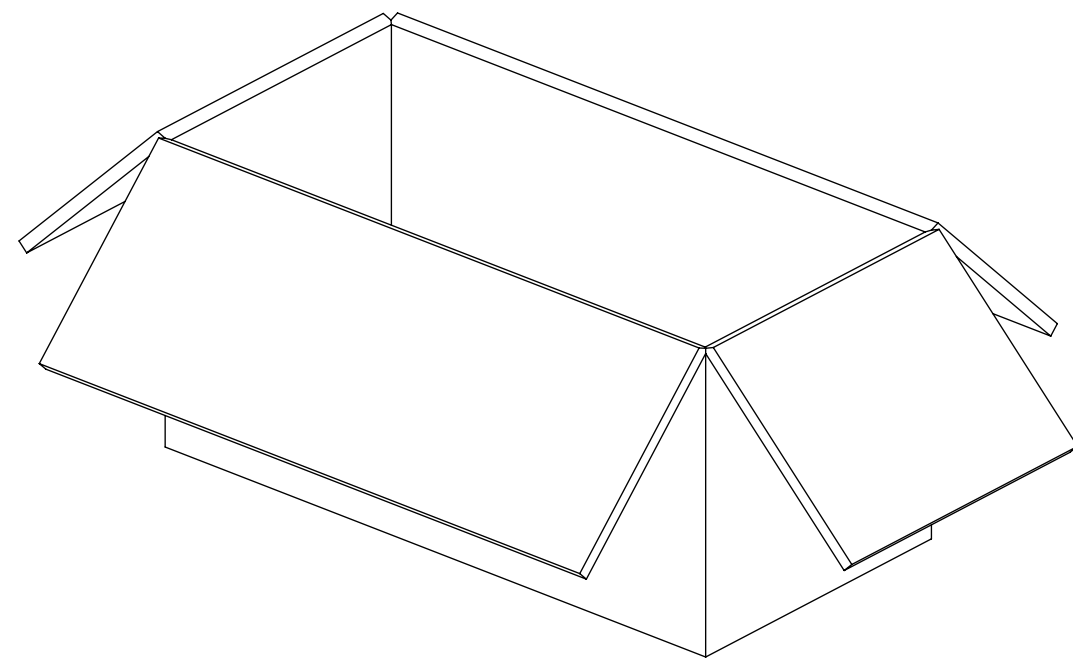
DOCUMENT STATUS	P1	RELEASE DATE	2022/09/13	10:28:02
-----------------	----	--------------	------------	----------



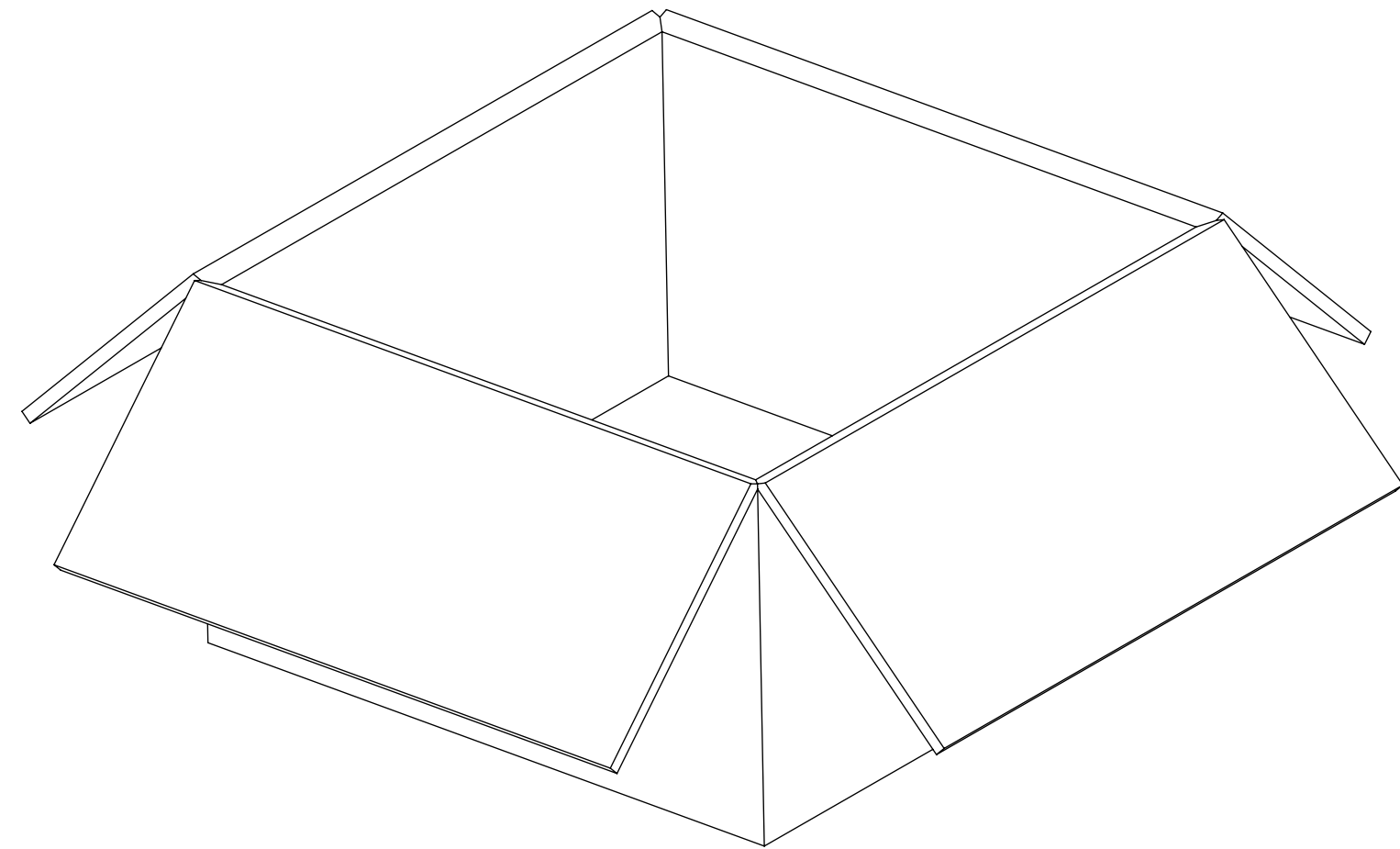
PART NO : 73415-1639



80 SET PER TRAY
P/N: 89707-0190



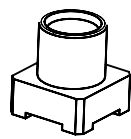
1600 SET PER INNER CARTON BOX
P/N: 96707-0001
L371mm X W184mm X D192mm



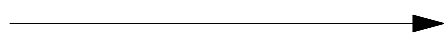
3200 SET PER OUTER CARTON BOX
P/N: 96708-0005
L394mm X W391mm X D212mm

FUNCTIONAL SYMBOLS	THIS DRAWING CONTAINS INFORMATION THAT IS PROPRIETARY TO MOLEX ELECTRONIC TECHNOLOGIES, LLC AND SHOULD NOT BE USED WITHOUT WRITTEN PERMISSION													
	DIMENSION UNITS		SCALE		CURRENT REV DESC:									
$\frac{F}{A} = 0$	MM/INCH	NTS		EWR # 15426-A ADDED -1639 PART NO FOR TRAY PACKING										
$\frac{F}{C} = 0$	GENERAL TOLERANCES (UNLESS SPECIFIED)			EC NO: 720547 DRWN: JSU18 2022/09/08 CHK'D: YCHENG 2022/09/13 APPR: YCHENG 2022/09/13						MCX JACK,PCB,SMT,75 OHMS MCX-J/PCB, EWR-11739				
$\frac{F}{P} = 0$				INITIAL REVISION:						PRODUCT CUSTOMER DRAWING				
DIVISIONAL SYMBOLS				DRWN: DRAWN BY 0099/99/99 APPR: APPR BY 0099/99/99						DOCUMENT NUMBER	DOC TYPE	DOC PART	REVISION	
			4 PLACES ±			3 PLACES ± 0.005			SD-73415-163			PSD	001	A10
			2 PLACES ± 0.13 ± 0.01			1 PLACE ± 0.25 ±			MATERIAL NUMBER			CUSTOMER		SHEET NUMBER
			0 PLACES ±			ANGULAR TOL ± 2.0 °			THIRD ANGLE PROJECTION			DRAWING		SERIES
			DRAFT WHERE APPLICABLE MUST REMAIN WITHIN DIMENSIONS			C-SIZE		73415				5 OF 8		

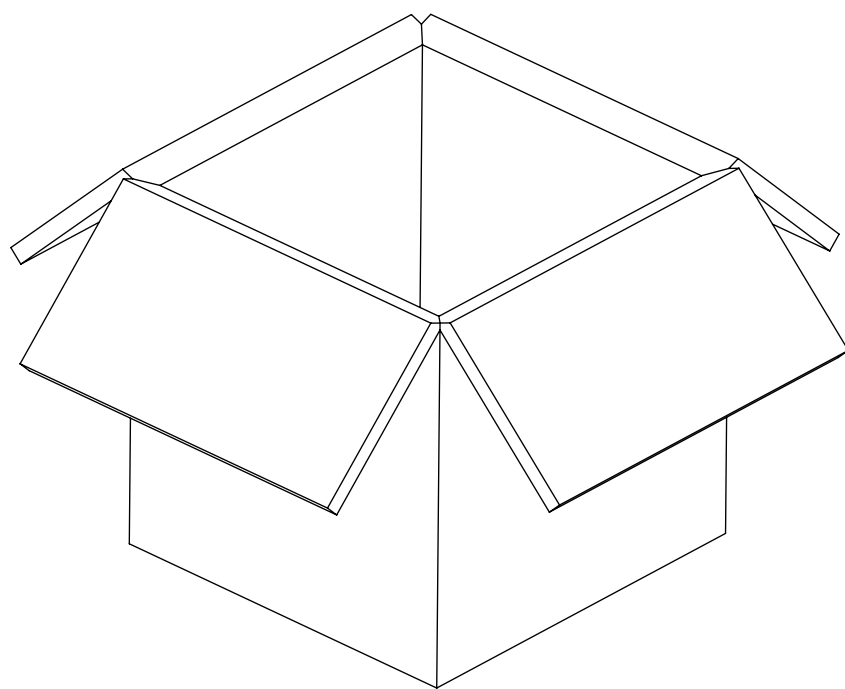
DOCUMENT STATUS	P1	RELEASE DATE	2022/09/13	10:28:02
-----------------	----	--------------	------------	----------



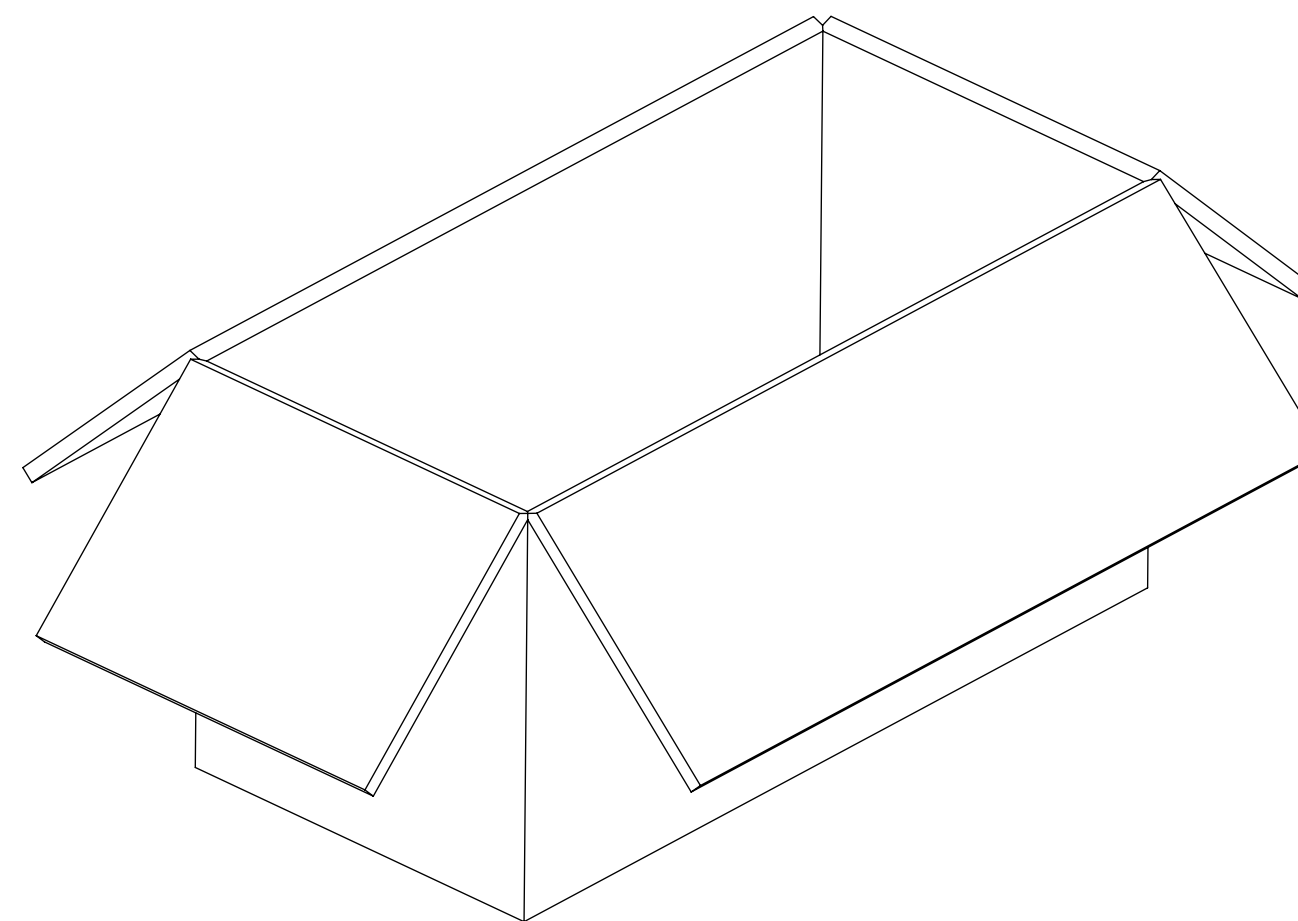
PART NO : 73415-1630
PART NO : 73415-1631



100 SETS PER POLY BAG
P/N: 89707-0001

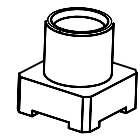


2000 SETS PER INNER
CARTON BOX
P/N: 96707-0005
DIMENSION: 176X173X176MM

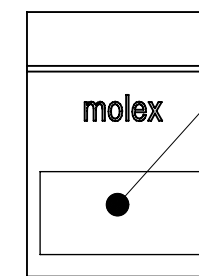
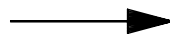


4000 SETS PER OUTER
CARTON BOX
P/N: 96707-0002
DIMENSION: 564X176X176MM

FUNCTIONAL SYMBOLS	THIS DRAWING CONTAINS INFORMATION THAT IS PROPRIETARY TO MOLEX ELECTRONIC TECHNOLOGIES, LLC AND SHOULD NOT BE USED WITHOUT WRITTEN PERMISSION											
	DIMENSION UNITS		SCALE		CURRENT REV DESC:							
$\frac{F}{A} = 0$	MM/INCH	NTS		EC NO: 720547 DRWN: JSU18 2022/09/08 CHK'D: YCHENG 2022/09/13 APPR: YCHENG 2022/09/13								
$\frac{F}{C} = 0$	GENERAL TOLERANCES (UNLESS SPECIFIED)											
$\frac{F}{P} = 0$		MM	INCH	INITIAL REVISION: DRWN: DRAWN BY 0099/99/99 APPR: APPR BY 0099/99/99				DOCUMENT NUMBER		DOC TYPE	DOC PART	REVISION
DIVISIONAL SYMBOLS	4 PLACES	±	±					SD-73415-163		PSD	001	A10
	3 PLACES	±	± 0.005	MATERIAL NUMBER		CUSTOMER		SHEET NUMBER				
	2 PLACES	± 0.13	± 0.01	0099/99/99				6 OF 8				
	1 PLACE	± 0.25	±	THIRD ANGLE PROJECTION								
	0 PLACES	±	±									
	ANGULAR TOL ± 2.0 °			DRAWING		SERIES						
	DRAFT WHERE APPLICABLE MUST REMAIN WITHIN DIMENSIONS			C-SIZE		73415						



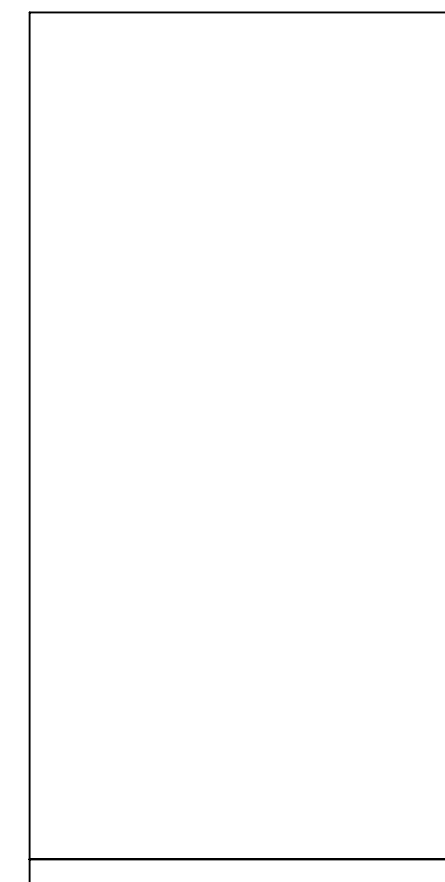
PART NO : 73415-1634



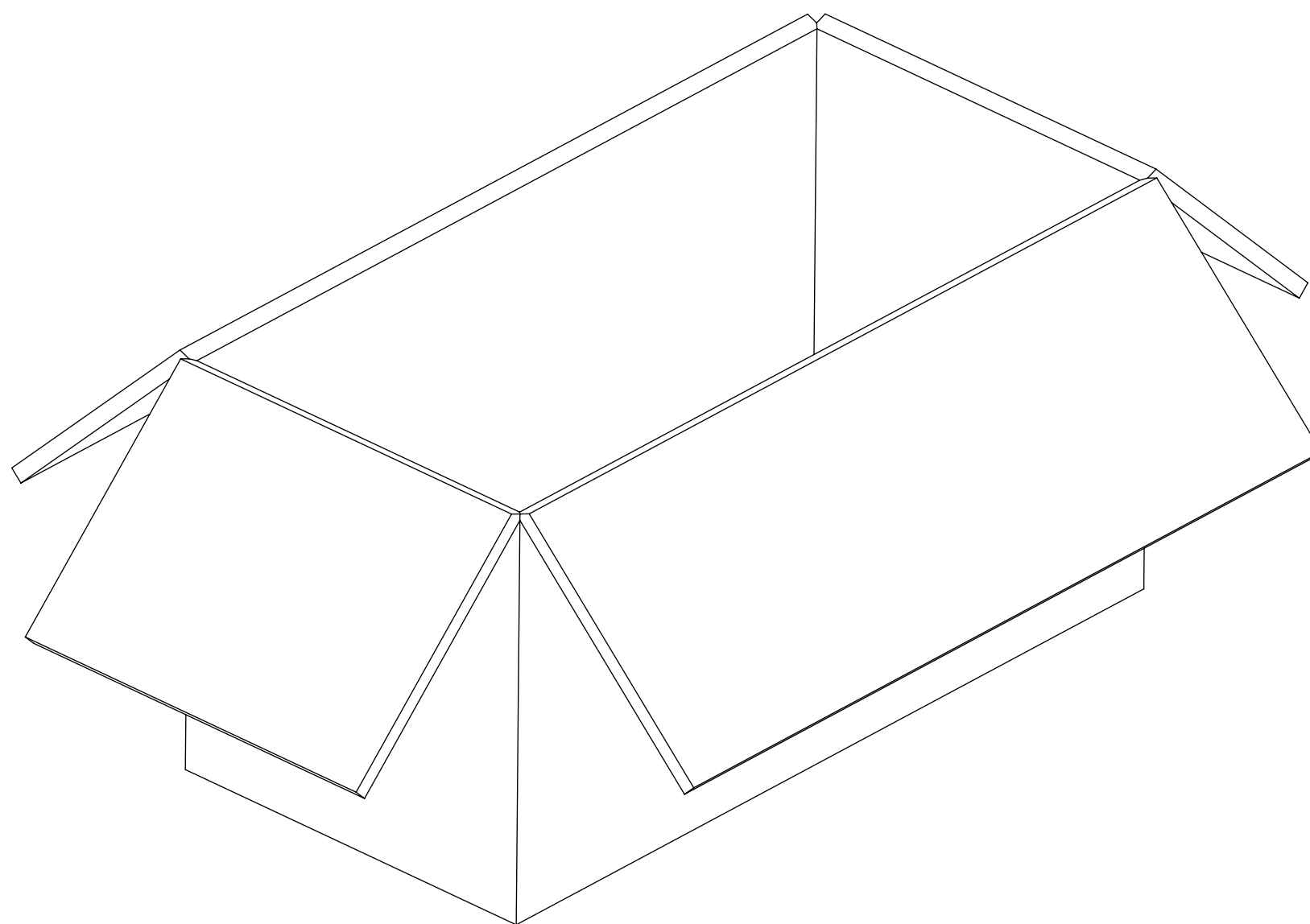
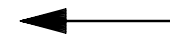
LABEL WITH EACH BAG

PART NUMBER
ORDER NUMBER
MOLEX
DATE: YYWW

ONE SET PER ZIPPER BAG
P/N: 89707-0317

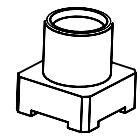


50 SETS PER BAG
P/N: 89707-0174

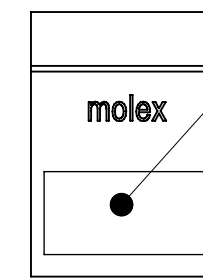
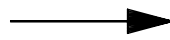


500 SETS PER CARTON BOX
P/N: 96707-0002
DIMENSION: 564X176X176MM

FUNCTIONAL SYMBOLS	THIS DRAWING CONTAINS INFORMATION THAT IS PROPRIETARY TO MOLEX ELECTRONIC TECHNOLOGIES, LLC AND SHOULD NOT BE USED WITHOUT WRITTEN PERMISSION												
	DIMENSION UNITS	SCALE		CURRENT REV DESC:						molex			
$\frac{F}{A} = 0$	MM/INCH	NTS		EWR # 15426-A ADDED -1639 PART NO FOR TRAY PACKING									
$\frac{F}{C} = 0$	GENERAL TOLERANCES (UNLESS SPECIFIED)			EC NO: 720547						MCX JACK,PCB,SMT,75 OHMS MCX-J/PCB, EWR-11739			
$\frac{F}{P} = 0$		MM	INCH	DRWN: JSU18 2022/09/08									
DIVISIONAL SYMBOLS	4 PLACES	±	±	CHK'D: YCHENG 2022/09/13						PRODUCT CUSTOMER DRAWING			
	3 PLACES	±	± 0.005	APPR: YCHENG 2022/09/13									
	2 PLACES	± 0.13	± 0.01	INITIAL REVISION:									
	1 PLACE	± 0.25	±	DRWN: DRAWN BY 0099/99/99									
	0 PLACES	±	±	APPR: APPR BY 0099/99/99						DOCUMENT NUMBER	DOC TYPE	DOC PART	REVISION
	ANGULAR TOL	± 2.0 °		THIRD ANGLE PROJECTION		DRAWING	SERIES	MATERIAL NUMBER	CUSTOMER	SHEET NUMBER			
	DRAFT WHERE APPLICABLE MUST REMAIN WITHIN DIMENSIONS					C-SIZE	73415			7 OF 8			

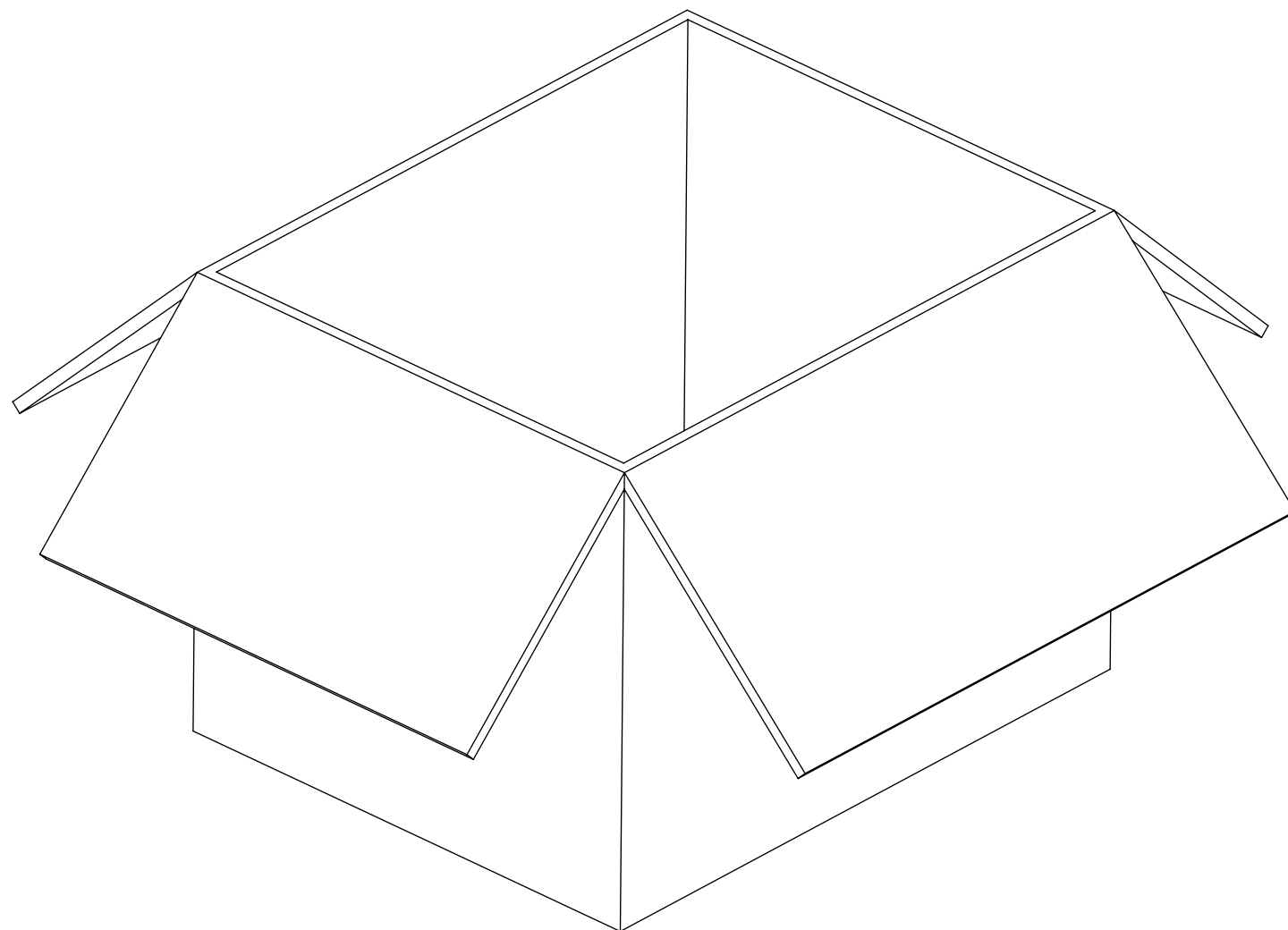
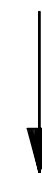


PART NO : 73415-1635

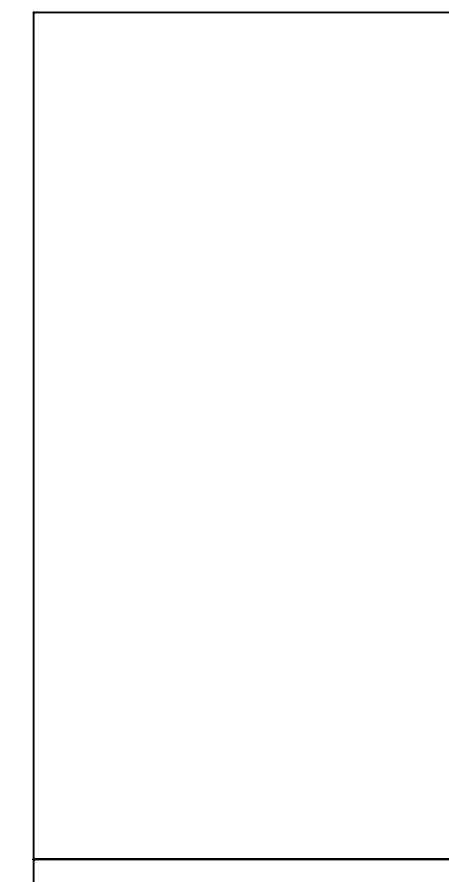
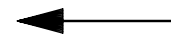


LABEL WITH EACH BAG
 PART NUMBER
 ORDER NUMBER
 MOLEX
 DATE: YYWW

ONE SET PER ZIPPER BAG
 P/N: 89707-0317



500 SETS PER CARTON BOX
 P/N: 89499-9027
 DIMENSION: 267X215X260MM



50 SETS PER BAG
 P/N: 89707-0174

FUNCTIONAL SYMBOLS	THIS DRAWING CONTAINS INFORMATION THAT IS PROPRIETARY TO MOLEX ELECTRONIC TECHNOLOGIES, LLC AND SHOULD NOT BE USED WITHOUT WRITTEN PERMISSION						
	DIMENSION UNITS	SCALE		CURRENT REV DESC:			molex
$\frac{F}{A} = 0$	MM/INCH	NTS		EWR # 15426-A ADDED -1639 PART NO FOR TRAY PACKING			
$\frac{F}{C} = 0$	GENERAL TOLERANCES (UNLESS SPECIFIED)			EC NO: 720547			MCX JACK,PCB,SMT,75 OHMS MCX-J/PCB, EWR-11739
$\frac{F}{P} = 0$		MM	INCH	DRWN: JSU18 2022/09/08			
DIVISIONAL SYMBOLS	4 PLACES	±	±	CHK'D: YCHENG 2022/09/13			PRODUCT CUSTOMER DRAWING
	3 PLACES	±	± 0.005	APPR: YCHENG 2022/09/13			
	2 PLACES	± 0.13	± 0.01	INITIAL REVISION:			DOCUMENT NUMBER SD-73415-163
	1 PLACE	± 0.25	±	DRWN: DRAWN BY 0099/99/99			
	0 PLACES	±	±	APPR: APPR BY 0099/99/99			DOC TYPE PSD
	ANGULAR TOL	± 2.0 °		THIRD ANGLE PROJECTION	DRAWING	SERIES	DOC PART 001
	DRAFT WHERE APPLICABLE MUST REMAIN WITHIN DIMENSIONS				C-SIZE	73415	REVISION A10
							SHEET NUMBER 8 OF 8

DOCUMENT STATUS	P1	RELEASE DATE	2022/09/13	10:28:02
-----------------	----	--------------	------------	----------