

EXTRACTION TOOL NUMBER	AMPLIVAR* TERMINAL	HOUSING
1214518-1	1217029-1	521155-1
1214518-2	1217071-1 1217072-1 1217073-1	521109-1

Figure 1

### 1. INTRODUCTION

AMP\* Extraction Tools 1214518-1 and 1214518-2 are designed to remove terminated AMPLIVAR

terminals from housing blocks. Refer to Figure 1 for applicable tools, terminals, and housings. Read these instructions thoroughly before attempting to remove terminals.

**NOTE**

Dimensions on this sheet are in millimeters [with inch equivalents in brackets]. Figures and illustrations are for identification only, and are not drawn to scale.

### 2. DESCRIPTION (Figure 1)

Each tool consists of an extraction tool shaft pressed into a plastic handle. The shaft has a "fork" shape that, when inserted into the housing block, will spread apart slightly to release the locking tabs of the terminal.

### 3. EXTRACTION PROCEDURE (Figure 2)

1. Determine which terminal is to be removed. Select appropriate extraction tool. Refer to table in Figure 1. Locate the two slots on either side of the terminal blade. See Figure 2, Detail A. Note that the locking tabs are on the same side of the terminal as the wire crimp. See Figure 2, Detail B.
2. Position the tool so that the fork-shaped end of the extraction tool enters the two slots on either side of the terminal blade.

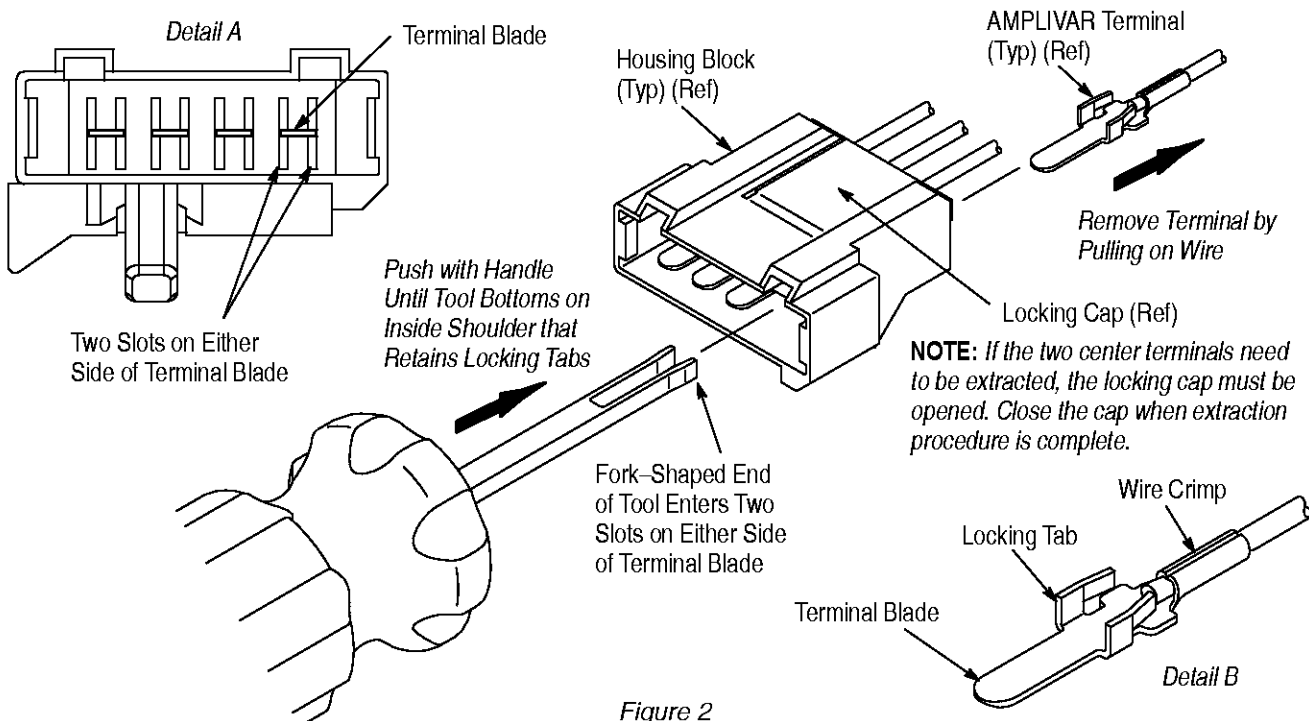
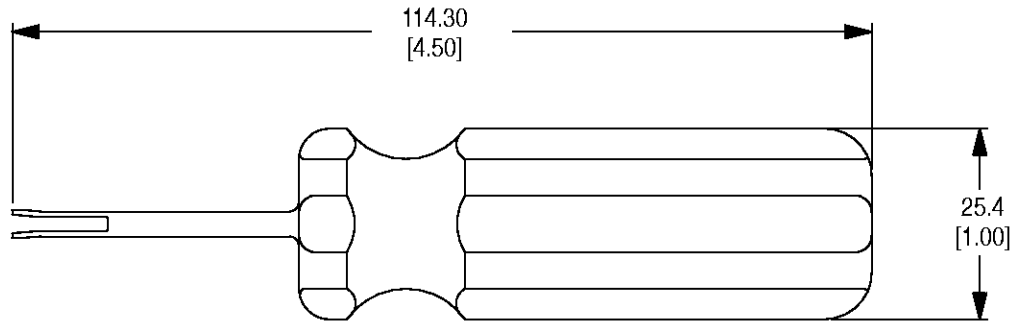


Figure 2



**NOTE:** Not to Scale

Figure 3

3. Push the tool in until it bottoms on the inside shoulder that retains the locking tabs. You will hear and feel a “click.” The fork-shaped end of the tool will spread the tabs apart so that they are no longer retained.

4. Remove the extraction tool from the housing block.

5. The terminal may now be extracted by pulling on the wire and removing it from the housing block.

**NOTE**

*Extracting the terminal may require moving the tool slightly while pulling on the wire to allow the locking tabs to release.*

#### 4. TOOL MAINTENANCE

The tools conform to the dimensions shown in Figure 3. It is recommended that the tools be

inspected when you receive them and at regularly scheduled intervals. The tools are not repairable, and should be replaced when worn or damaged. It is recommended that the tools be stored in a clean, dry place and cleaned with a soft, lint-free cloth.

Additional tools can be purchased from:

CUSTOMER SERVICE (38-35)  
AMP INCORPORATED  
P.O. BOX 3608  
HARRISBURG, PA 17105-3608

#### 5. REVISION SUMMARY

Per EC 0990-0432-98

- Initial release of instruction sheet