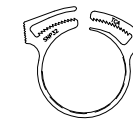
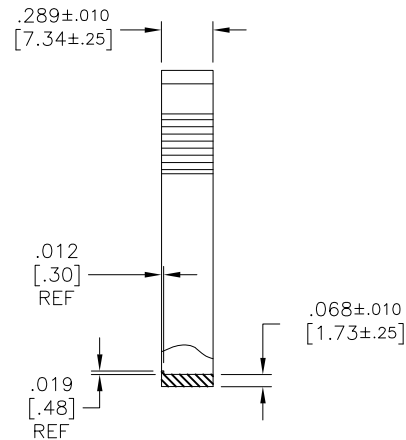
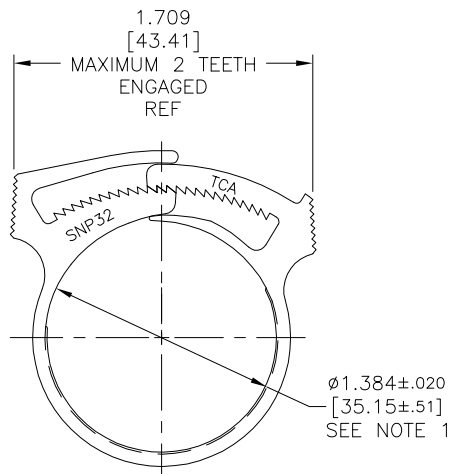


AS MOLDED



APPROX. FULL SIZE

REDUCED
NO SCALE

HellermannTyton

ALL PROPRIETARY RIGHTS IN THE SUBJECT MATTER SHOWN ON THIS DRAWING ARE EXCLUSIVE PROPERTY OF HELLERMANN TYTON

name	date	city, state

- NOTES
1. INSIDE DIAMETERS ARE MEASURED IN THREE PLACES SPACED 120° APART EXCLUDING .019[.48] HIGH RIB
 2. DRAWING CREATED FROM SNP28 DATA BASE. USE FOR DIMENSIONAL INFO. ONLY.
 3. 26 TOTAL TEETH, 13 TEETH POSITIONS

REVISIONS

level	01
date	04/02/07
by	AAC
ECN #	010690
part level	-

DIMENSIONS

.XXXX= .XXX= NOTED
.XX= NOTED
.X= NOTED
_Z= NOTED
unless otherwise specified
units inches/[mm]

PART

number	SNP3210	phase	PRODUCTION
name	SNAPPER 32 HOSE CLAMP		
material	ACETAL WHITE		

DRAWING

FORMAT C	version M	CAD	ACAD	scale	2X
computer file number	CP\CST\2032002_01	previous number			
drawn	A.A.C.	checked	K.A.C.	approved	
date	04/02/07	date	04/02/07	approved	
type	CUSTOMER	sheet	1 of 1		
number	CP2032002CST				