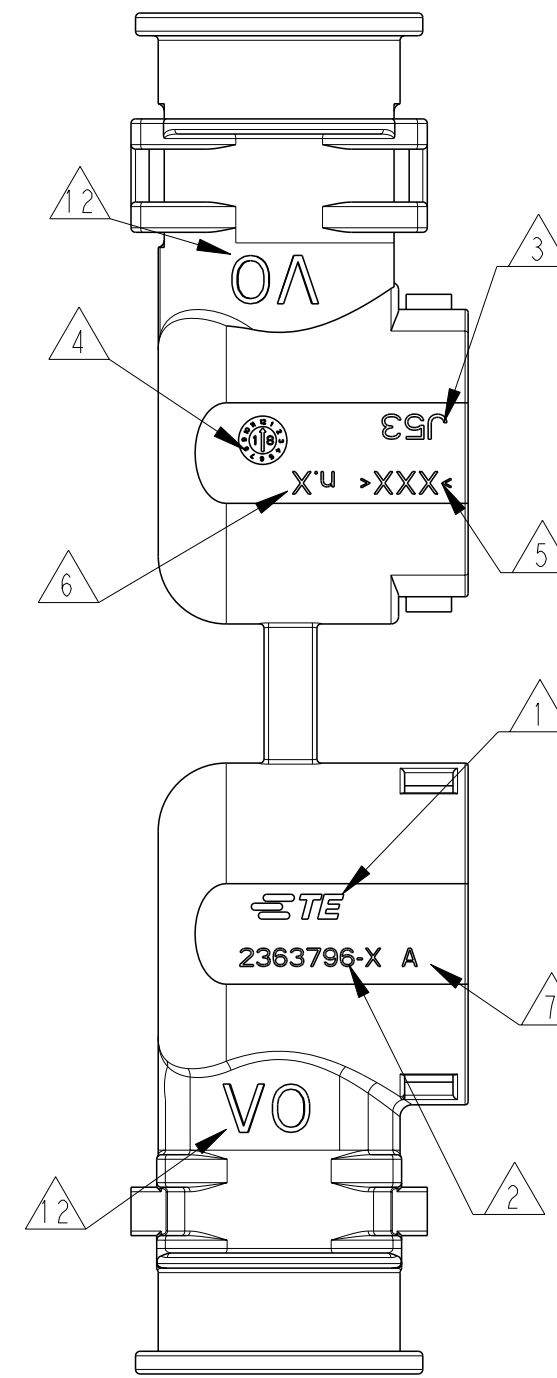
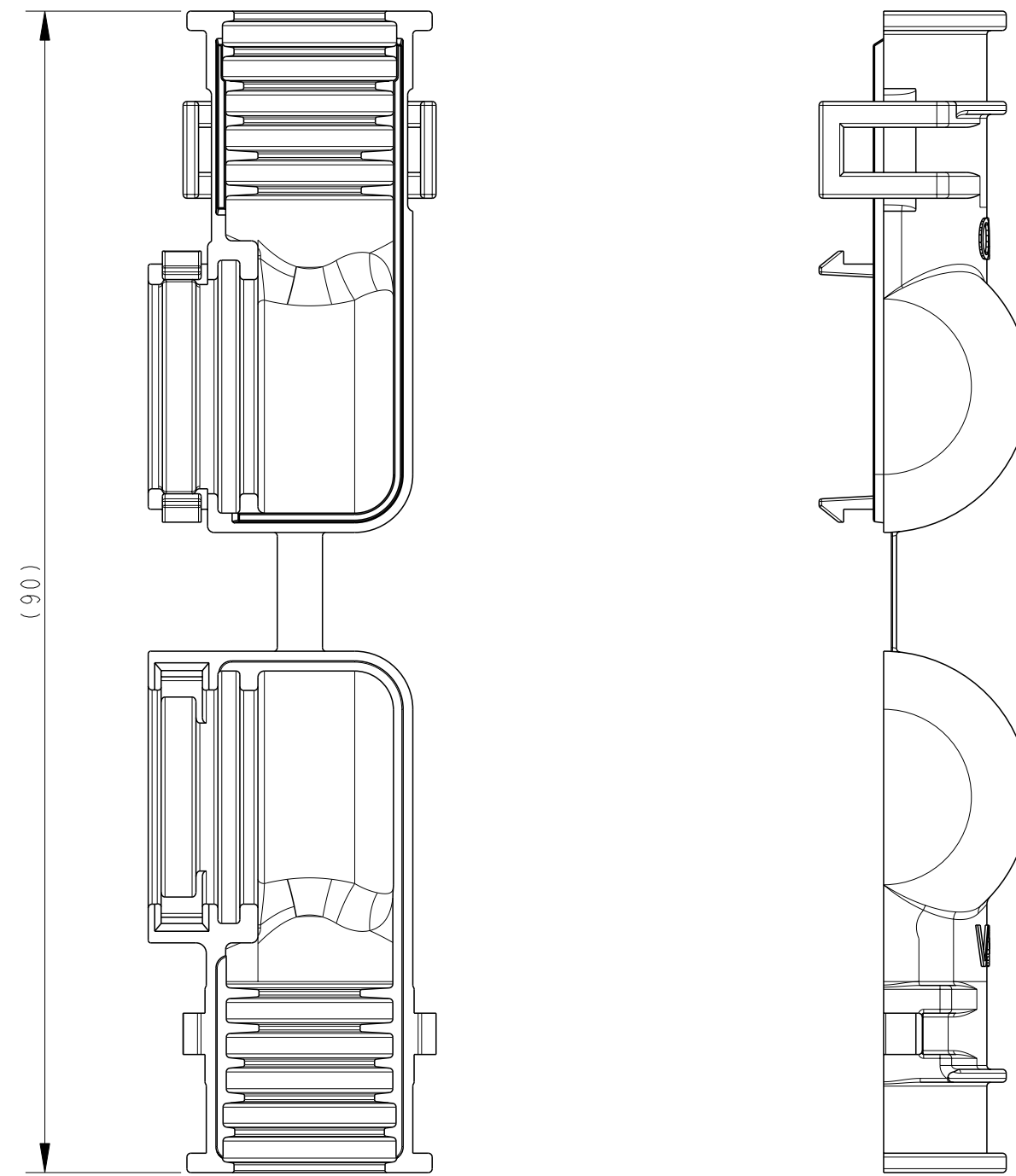


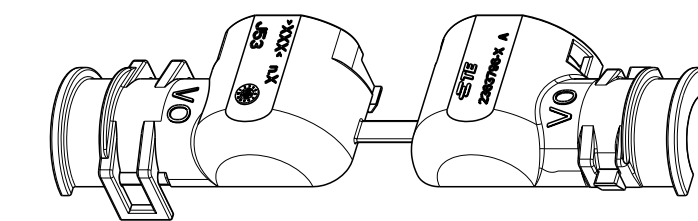
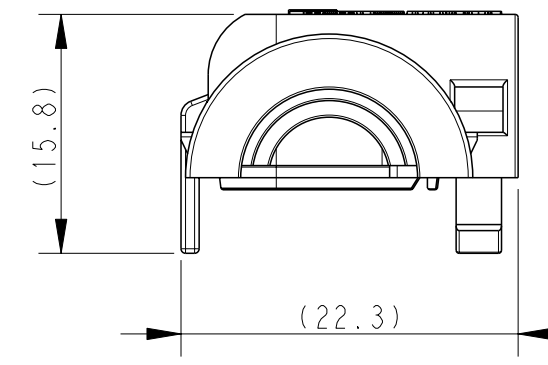
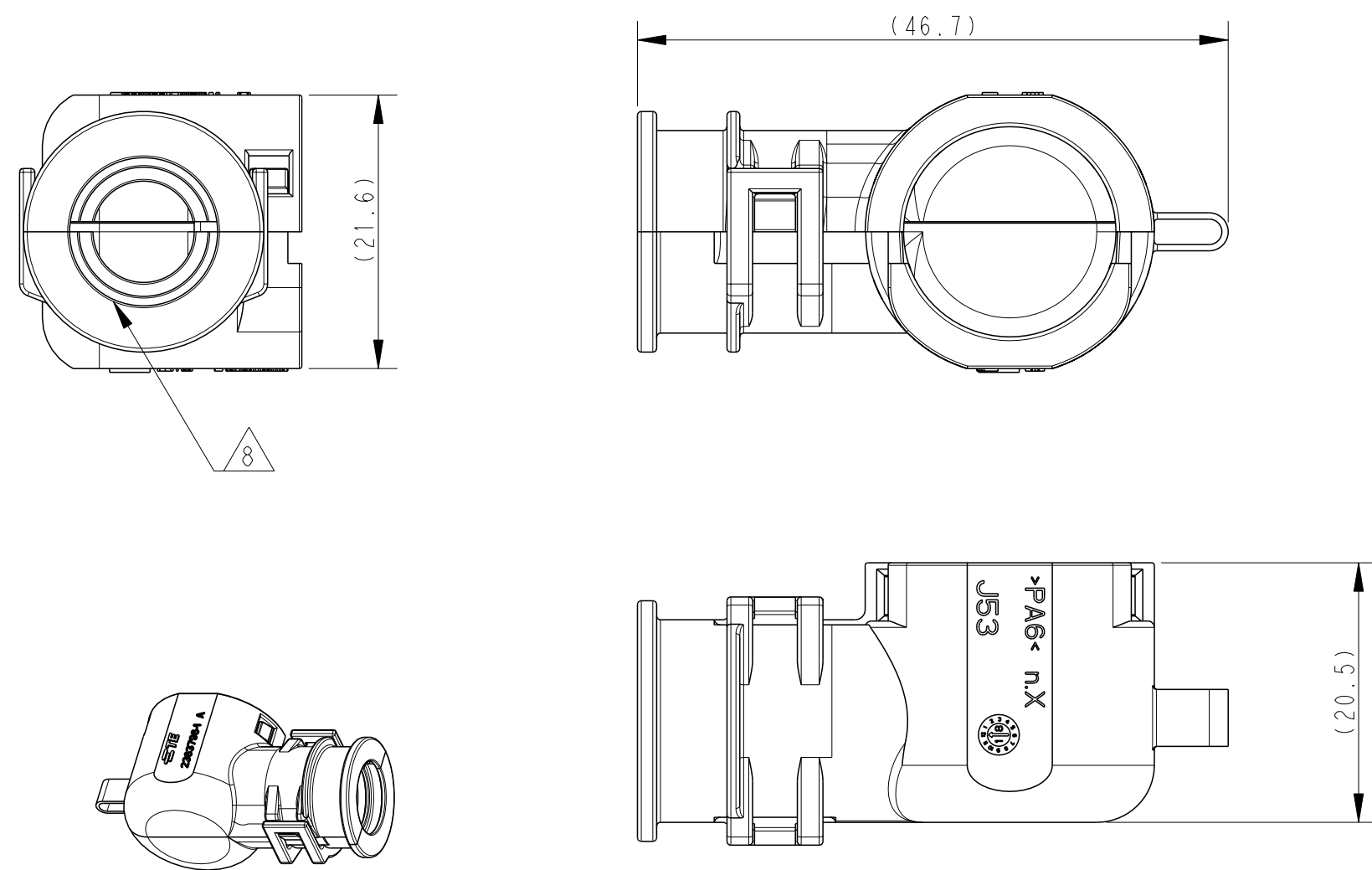
DELIVERY CONDITION AS SHOWN



REVISIONS					
P	LTR	DESCRIPTION	DATE	DWN	APVD
A		INITIAL RELEASE	06DEC2019	N.S	I.Y
A1		ECR-20-011698	21AUG2020	N.S	I.Y
A2		ECR-20-013035	15SEP2020	N.S	I.Y
A3		ECR-20-015033	22OCT2020	N.S	I.Y

- NOTES:
- 1 .TE LEGO
  - 2 .TE PART NO.
  - 3 .MANUFACTURING LOCATION.
  - 4 .DATE CODE.
  - 5 .MATERIAL MARKING,EXCHANGEABLE
  - 6 .MOULD CAVITY MARKING
  - 7 .PART REVISION
  - 8 .FOR CORRUGATED TUBE: NW6/7.5/8.5/10.
  - 9. P/N:2363796 USED ON 180DEG SSP 2P BACKSHELL  
P/N:2363714 AND P/N:2363791
  - 10.BULK PACKAGING IN CORRUGATED BOX
  - 11.BASED ON THE HINGE MECHANISM,THE DELIVERY  
CONDITION CAN BE DIFFERENT TO THE SHOWN  
STATUS.
  - 12 VO MARK, ONLY SHOWS ON PN.2363796-2

CLOSED (MOUNTED) CONDITIONS AS SHOWN



SCALE 1:1

SCALE 1:1

TE P/N	REV	COLOR	DESCRIPTION	ITEM
2363796-2	A	BLACK	90DEG BACKSHELL FOR SUPERSEAL PRO 2P(VO TYPE)	2
2363796-1	A	BLACK	90DEG BACKSHELL FOR SUPERSEAL PRO 2P(HB TYPE)	1

THIS DRAWING IS A CONTROLLED DOCUMENT.

DIMENSIONS:	TOLERANCES UNLESS OTHERWISE SPECIFIED:	DWN	13NOV2019
mm	0 PLC ±0.5	CHK	13NOV2019
	1 PLC ±0.1	APVD	13NOV2019
	2 PLC ±	PRODUCT SPEC	
	3 PLC ±	APPLICATION SPEC	
	4 PLC ±	WEIGHT	
MATERIAL	FINISH	CUSTOMER DRAWING	SCALE 2:1 SHEET 1 OF 1 REV A3

TE Connectivity  
BACKSHELL, 2POS, SSP, 90DEG

SIZE A2 CAGE CODE 00779 DRAWING NO C-2363796 RESTRICTED TO