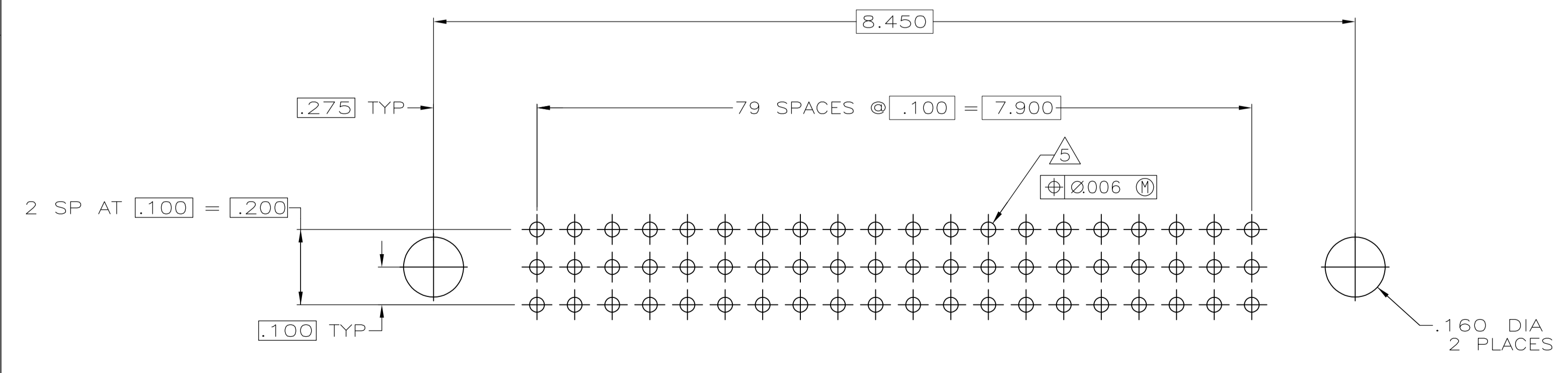
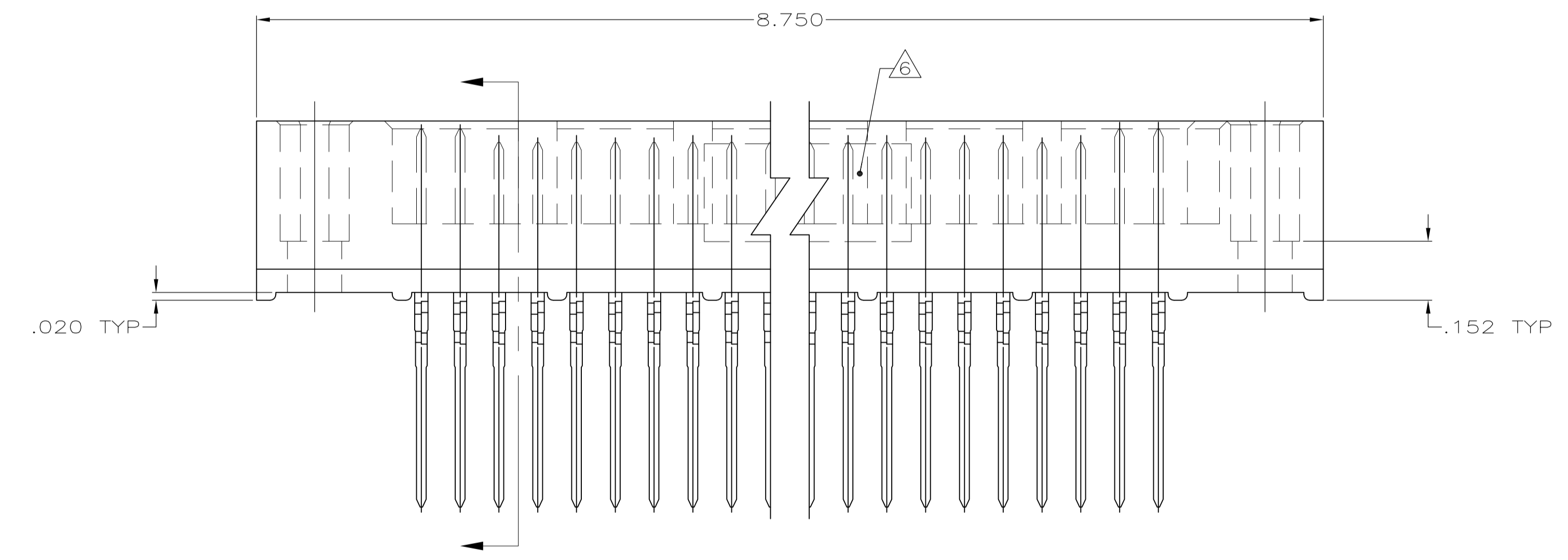
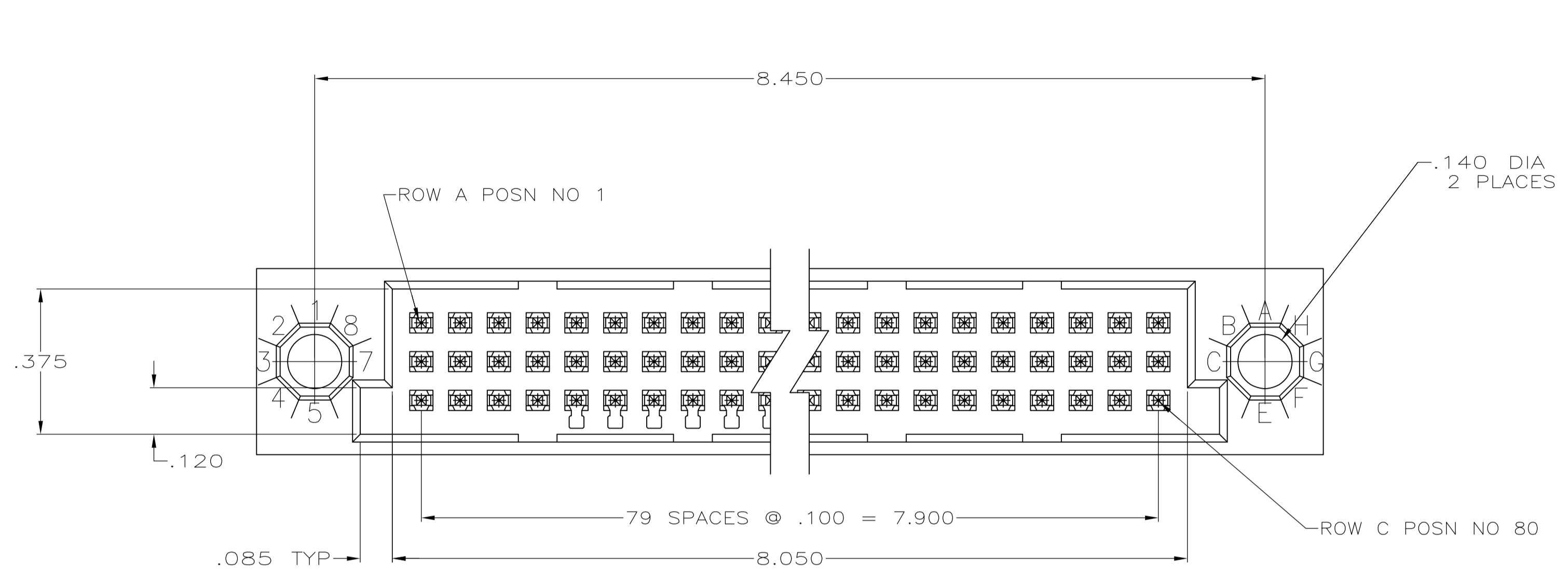
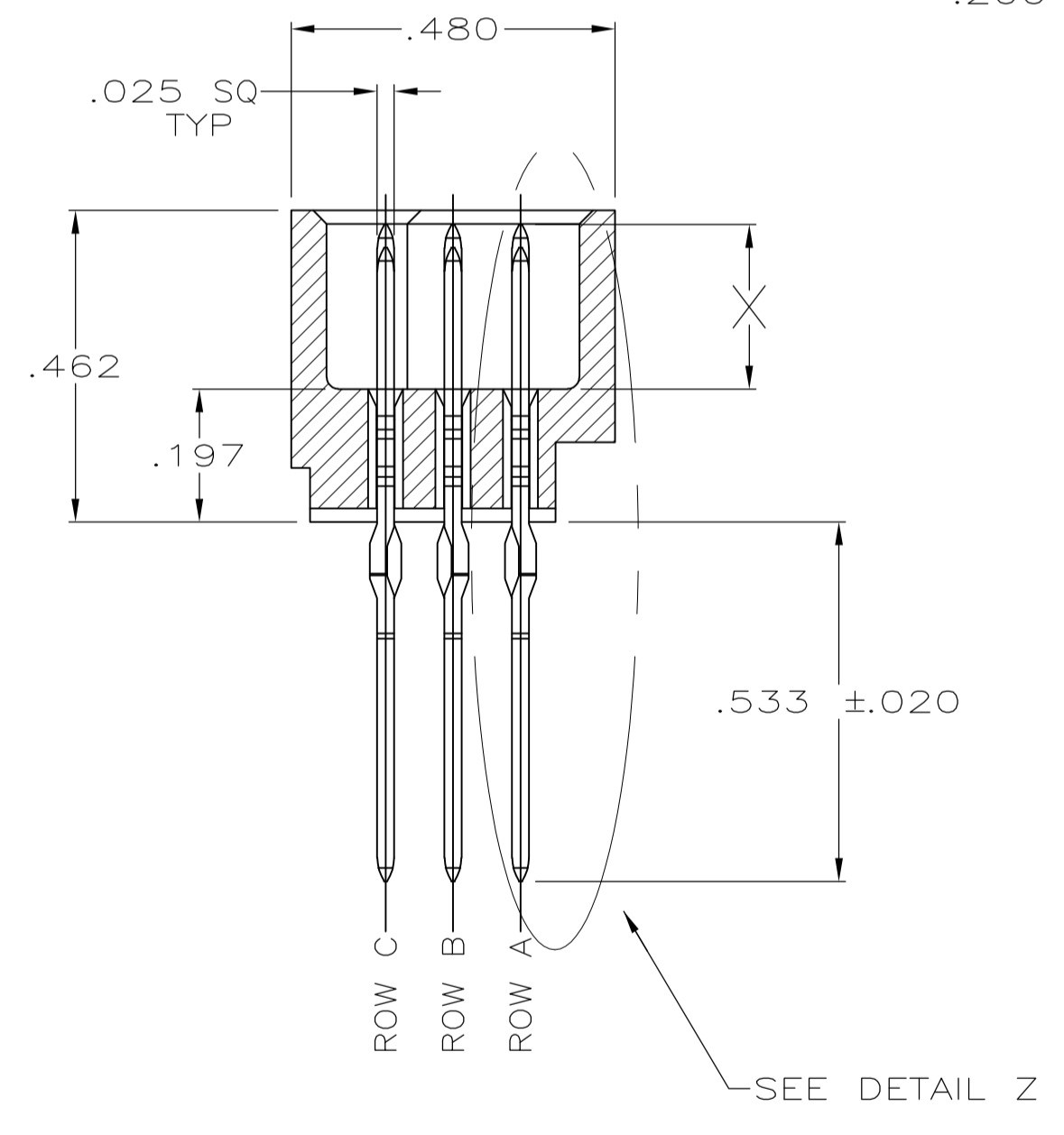
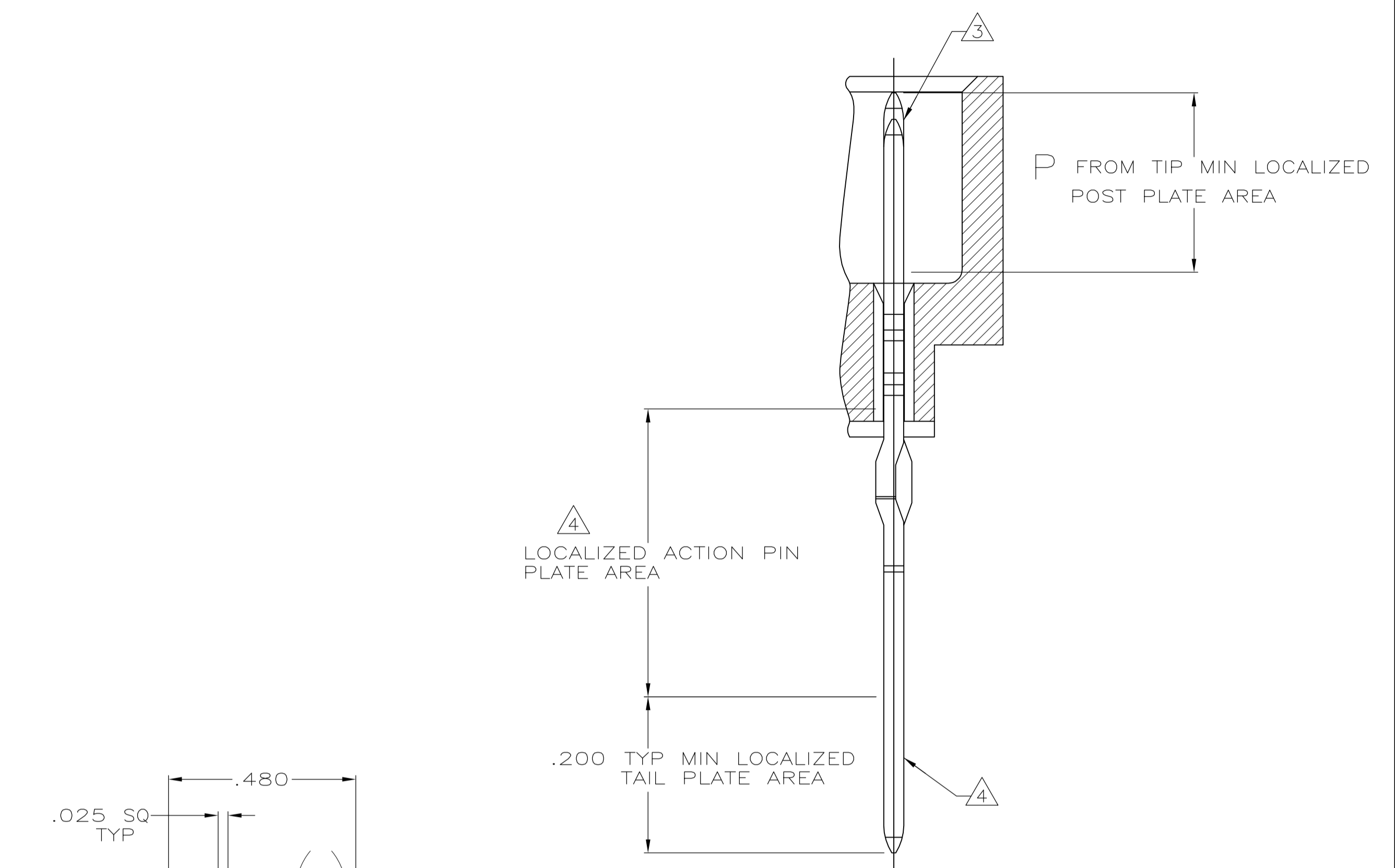


LOC		DIST		REVISIONS			
P	LTR	DATE	DMN	APVD			
A1	REVISED PER ECO-07-018664	23AUG07	DH	AS			



RECOMMENDED P.C. BOARD LAYOUT



DETAIL Z
SCALE 8:1
TYP ALL PINS

THIS DRAWING IS A CONTROLLED DOCUMENT.		DIN R LEE 11-05-92	Tyco Electronics Corporation Harrisburg, PA 17105-3608	
DIMENSIONS: mm		CHK JOHN WEARY	APVD	
TOLERANCES UNLESS OTHERWISE SPECIFIED:		PRODUCT SPEC 108-1098		
0. PLC ± -		APPLICATION SPEC 114-9008		
1. PLC ± -		WEIGHT		
2. PLC ± -		CUSTOMER DRAWING		
3. PLC ± .005		SCALE 4:1 SHEET 1 OF 2 REV A1		
4. PLC ANGLES ± -		DRAWING NO. 00779 C=536732		

OBsolete
NOT THE LATEST REVISION

