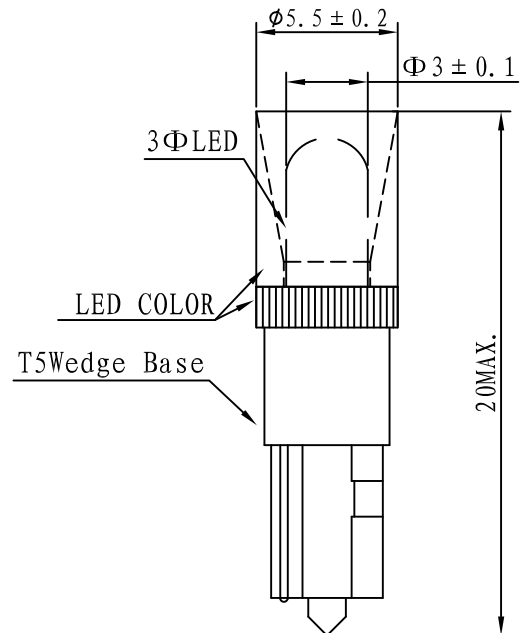




VC1511A Series

T-1 3/4 Wedge Based LED



Description and Features

- Replaces incandescent lamp #'s
 - 12V — 18, 37, 70, 73, 74
 - 24V and 28V — 17, 85
- Extremely high brightness with low current draw
- Long life — typically 100K hours vs. 10K hours
- Low heat generation
- Available in five standard colors. Custom colors available upon request
- Shock and vibration proof
- Storage temperature: -40°C - $+85^{\circ}\text{C}$
- Ambient temperature: -40°C - $+85^{\circ}\text{C}$
- Due to production tolerances, color temperature variations may be detected within individual consignments

Electro-Optical Characteristics and Ratings

Part Number	Color	Voltage V DC	Current mA	Lumi. Intensity mcd	Peak Wavelength nm	50% Power Angle (deg)
VC1511A25UR3	Red	12	6 / 12	280	630	20
VC1511A25UG3	Green	12	6 / 12	780	525	25
VC1511A25UY3	Yellow	12	6 / 12	240	587	20
VC1511A25B3	Blue	12	6 / 12	300	470	25
VC1511A25W3	White Clear	12	6 / 12	600	*	30
VC1511A25W3D	White Diffused	12	6 / 12	300	*	30
VC1511A35UR3	Red	24	5 / 10	230	630	20
VC1511A35UG3	Green	24	5 / 10	850	525	25
VC1511A35UY3	Yellow	24	5 / 10	200	587	20
VC1511A35B3	Blue	24	5 / 10	250	470	25
VC1511A35W3	White Clear	24	5 / 10	500	*	30
VC1511A35W3D	White Diffused	24	5 / 10	250	*	30
VC1511A45UR3	Red	28	5 / 10	230	630	20
VC1511A45UG3	Green	28	5 / 10	650	525	25
VC1511A45UY3	Yellow	28	5 / 10	200	587	20
VC1511A45B3	Blue	28	5 / 10	250	470	25
VC1511A45W3	White Clear	28	5 / 10	500	*	30
VC1511A45W3D	White Diffused	28	5 / 10	250	*	30