

4

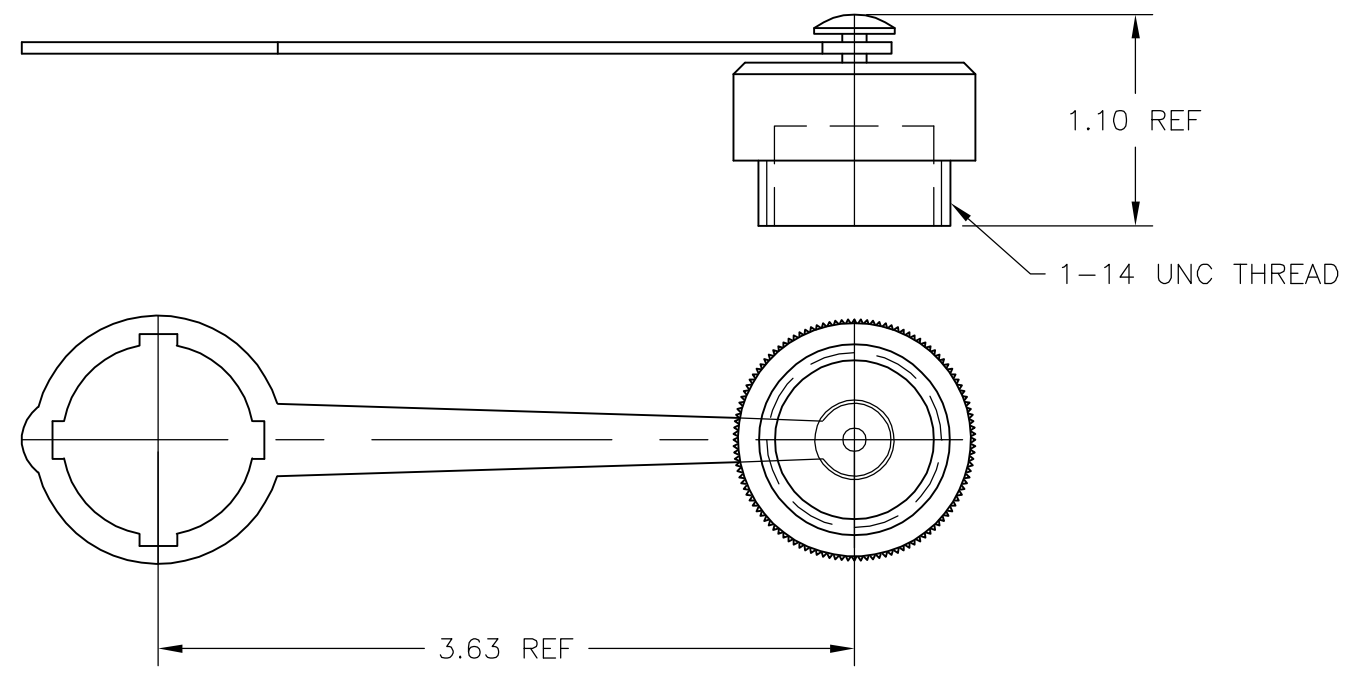
3

2

1

THIS DRAWING IS UNPUBLISHED. RELEASED FOR PUBLICATION
 © COPYRIGHT - BY TYCO ELECTRONICS CORPORATION. ALL RIGHTS RESERVED.

LOC	DIST	REVISIONS			
P	LTR	DESCRIPTION	DATE	DWN	APVD
FT	0	C	REVISED PER ECO-06-16025	7/7/06	SS DC



	1-1546408-1
SUPERSEDED	1546408-1
	PART NO.

THIS DRAWING IS A CONTROLLED DOCUMENT.		DWN S SCHLEGEL	5/29/03	Tyco Electronics Corporation Harrisburg, PA 17105-3608	
DIMENSIONS: INCHES		CHK H WAKEEM	5/29/03		
TOLERANCES UNLESS OTHERWISE SPECIFIED:		APVD H WAKEEM	5/29/03	NAME IP67 RATED CLOSURE CAP FOR CORDSET (MALE) WITH LANYARD	
0 PLC ± - 1 PLC ± - 2 PLC ± .02 3 PLC ± .005 4 PLC ± - ANGLES ± 2'		PRODUCT SPEC -		APPLICATION SPEC -	
MATERIAL -		FINISH -		SIZE A3	CAGE CODE 00779
CUSTOMER DRAWING				DRAWING NO C-1546408	RESTRICTED TO -
SCALE NTS			SHEET 1 OF 1	REV C	