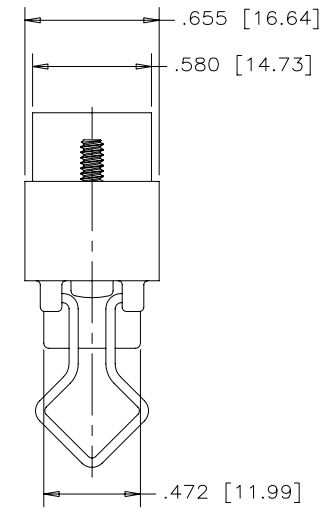
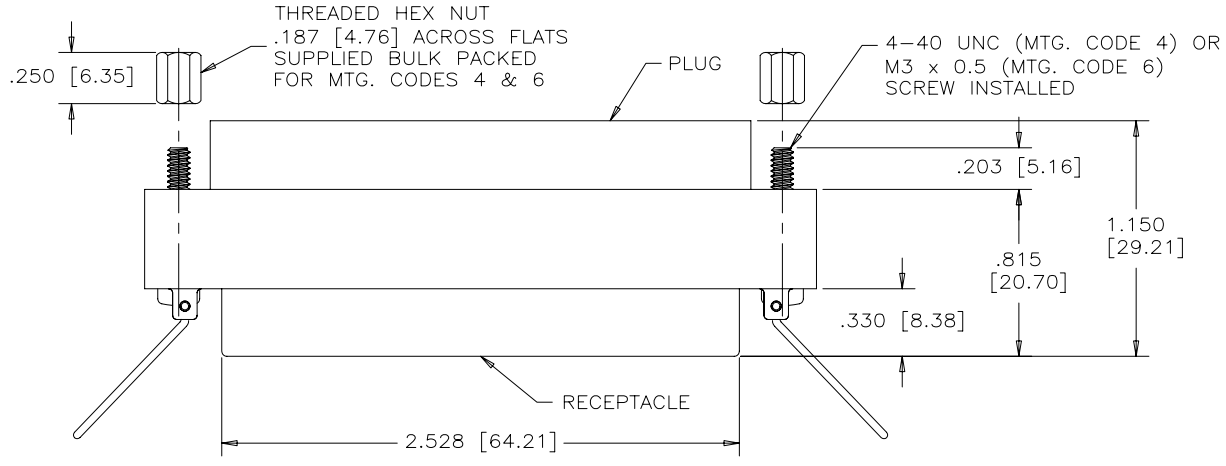
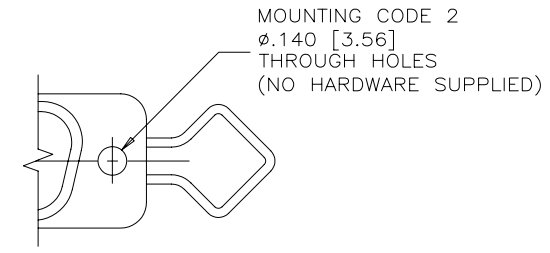
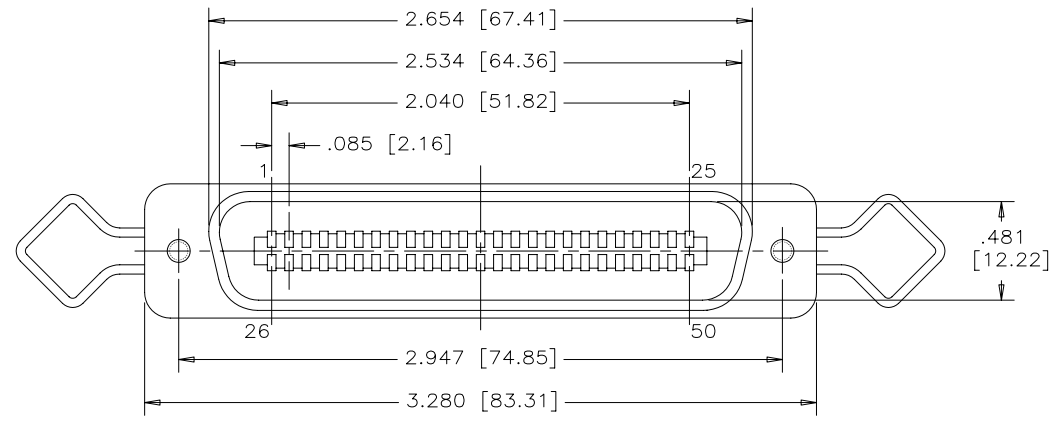


REVISIONS			
REV	ECN, ERN NO.	DATE	APPRD.
A	PRODUCT DRAWING (EAR 12927)	MAR07/06	K.L.



ORDERING CODE:

PART NUMBER **F C E 5 7 - 0 9 5 0 0 - 4 1 0**

SERIES _____
 STYLE _____
 09=ADAPTER
 NUMBER OF CONTACTS _____
 MODIFIER _____
 0=STANDARD
 MOUNTING OPTION _____

MODIFIER
 0=STANDARD
 CAPACITANCE
 D=50 pF 5=1000 pF
 B=100 pF 7=1200 pF
 0=180 pF 9=5600 pF
 F=330 pF 1=470 pF
 3=820 pF N=NO FILTERS

2=.140 [3.56] DIA MTG. HOLE
 (NO SCREWS OR HEX NUTS)
 4=#4-40 UNC THREADED SCREW
 & HEX NUT
 6=M3 x 0.5 THREADED SCREW
 & HEX NUT

ELECTRICAL DATA:
CSA/UL RATING: 250 VDC, 1A MAX.
 REFER TO AMPHENOL CATALOGUE FOR
 FILTER PERFORMANCE CHARACTERISTICS

MATERIALS: ALL MATERIALS ARE RoHS COMPLIANT
SHELL: ALUMINUM DIECAST, NICKEL PLATED.
CONTACTS: PHOSPHOR BRONZE, 30u" [0.76 MICRONS] MIN GOLD PLATED OVER 50u" [1.27 MICRONS] MIN NICKEL ON CONTACT MATING AREAS.
INSERT: HIGH STRENGTH THERMOPLASTIC POLYESTER FLAMMABILITY RATING UL 94V-0, BLACK.

DRAWN	A.CHENG	DATE	MAR07/06
DESIGNED			
CHECKED	K.LAMBIE	DATE	MAR07/06
I. E. APPRD.			
Q. A. APPRD.			
DWG. APPRD.			
ENG. REL. NO.			
REF.	EAR 12927		
DIMENSIONS ARE IN		CODE ID. NO.	
INCHES [mm]		03554	

Amphenol Canada Corp.
 FCE57 FILTERED MICRO-RIBBON CONNECTOR,
 PLUG/RECEPTACLE ADAPTER, 50 SIZE,
 LATCH SPRINGS, RoHS COMPLIANT

DWG	DRAWING NO.	REV.
C	P-FCE57-09500-XX0	A
SCALE	2/1	WT. -----
SURF.	-----	SHEET 1 OF 1

THIS DOCUMENT CONTAINS PROPRIETARY INFORMATION AND SUCH INFORMATION MAY NOT BE DISCLOSED TO OTHERS FOR ANY PURPOSE OR USED FOR MANUFACTURING PURPOSES WITHOUT WRITTEN PERMISSION FROM AMPHENOL CANADA CORP.