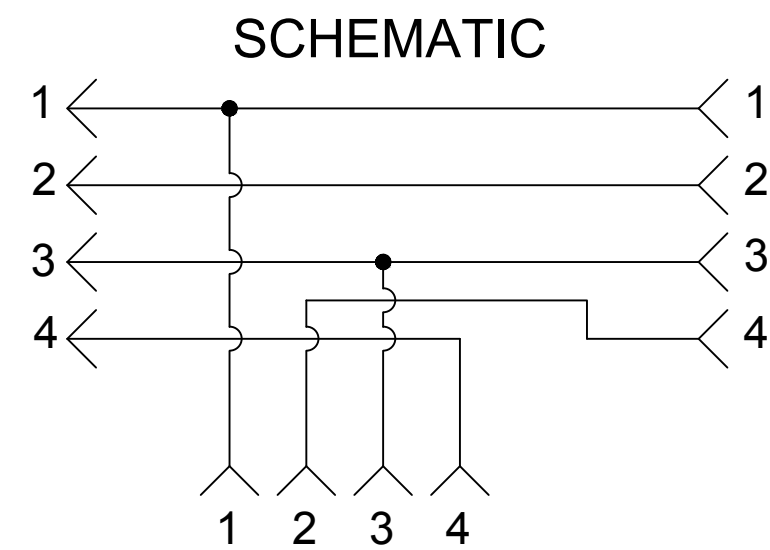
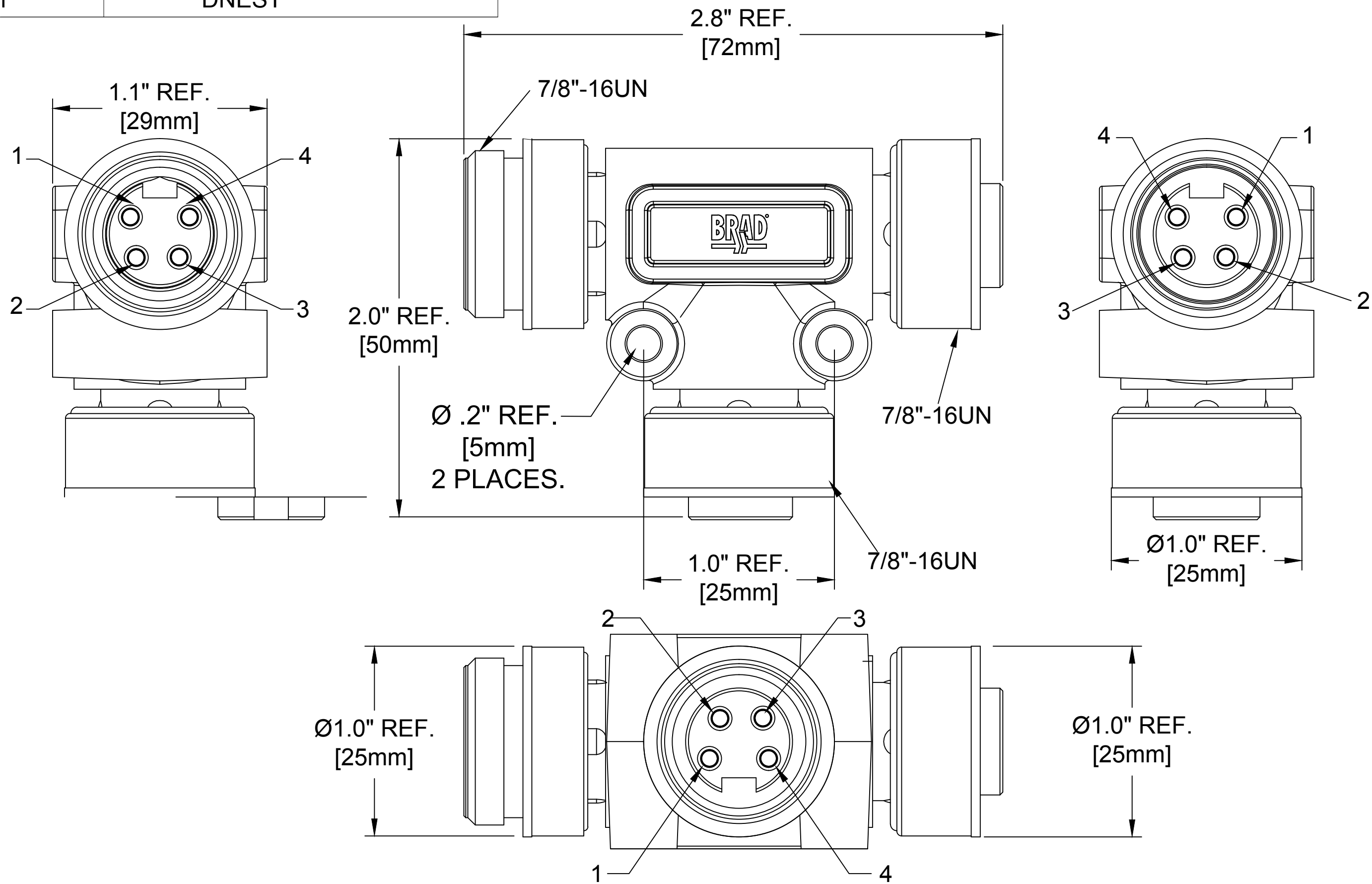


13	12	11	10	9	8	7	6	5	4	3	2	1
MATERIAL NUMBER			OLD PART NUMBER									
1300350081			DNEST									



VOLTAGE RATING	600 VAC/VDC
AMPERAGE RATING	8 AMPS
PROTECTION	IP67
OPERATING TEMPERATURE	-20°C TO 80°C
UL CERTIFICATIONS	UL RECOGNIZED, FILE NO. E152210
CSA CERTIFICATIONS	CSA CERTIFIED, FILE NO. LR6837

COMPONENT	MATERIAL	FINISH
INSERT	TPE	YELLOW
CONTACT SOCKET	COPPER ALLOY	GOLD OVER NICKEL
CONTACT PIN	COPPER ALLOY	GOLD OVER NICKEL
COUPLING NUT	ZINC DIE CAST	BLACK E-COATED
OVERMOLD	TPE	RED

RELEASE EC NO.: IFC2014-0577 DRWN: GGUSTAFS 2013/10/21 CH'KD: BARDEN APPR: BWOODMAN 2013/10/31 DESCRIPTION	QUALITY SYMBOL	GENERAL TOLERANCES (UNLESS SPECIFIED)		DIMENSION STYLE	SCALE	DESIGN UNITS	THIRD ANGLE PROJECTION		
	▽=0	mm	INCH	IN/MM	NTS	INCH	EMERGENCY STOP & AUX POWER TEE		
	∇=0	4 PLACES ±---	±---	DRAWN BY DATE	GGUSTAFS 2013/10/21	TITLE			
		3 PLACES ±---	±.005	CHECKED BY DATE	BARDEN 2013/11/12	MOLEX INCORPORATED			
		2 PLACES ±0.13	±.010	APPROVED BY DATE	BWOODMAN 2013/10/31	MATERIAL NO.	DOCUMENT NO.	SHEET NO.	
A	1 PLACE ±0.25	±.020	ANGULAR ±.5°	SEE CHART	SD-130035-016	1 OF 1			
	DRAFT WHERE APPLICABLE MUST REMAIN WITHIN DIMENSIONS			THIS DRAWING CONTAINS INFORMATION THAT IS PROPRIETARY TO MOLEX INCORPORATED AND SHOULD NOT BE USED WITHOUT WRITTEN PERMISSION					