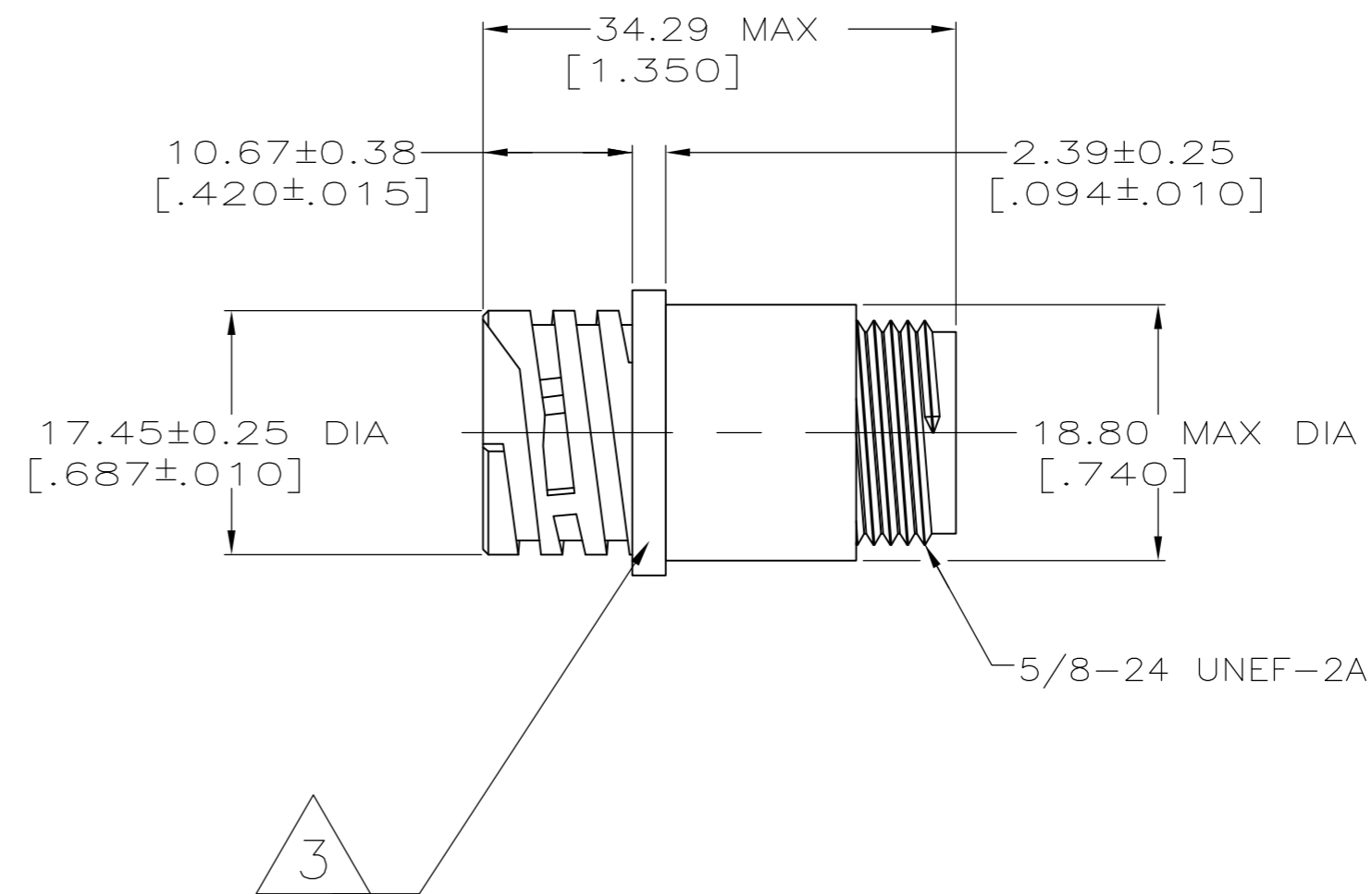
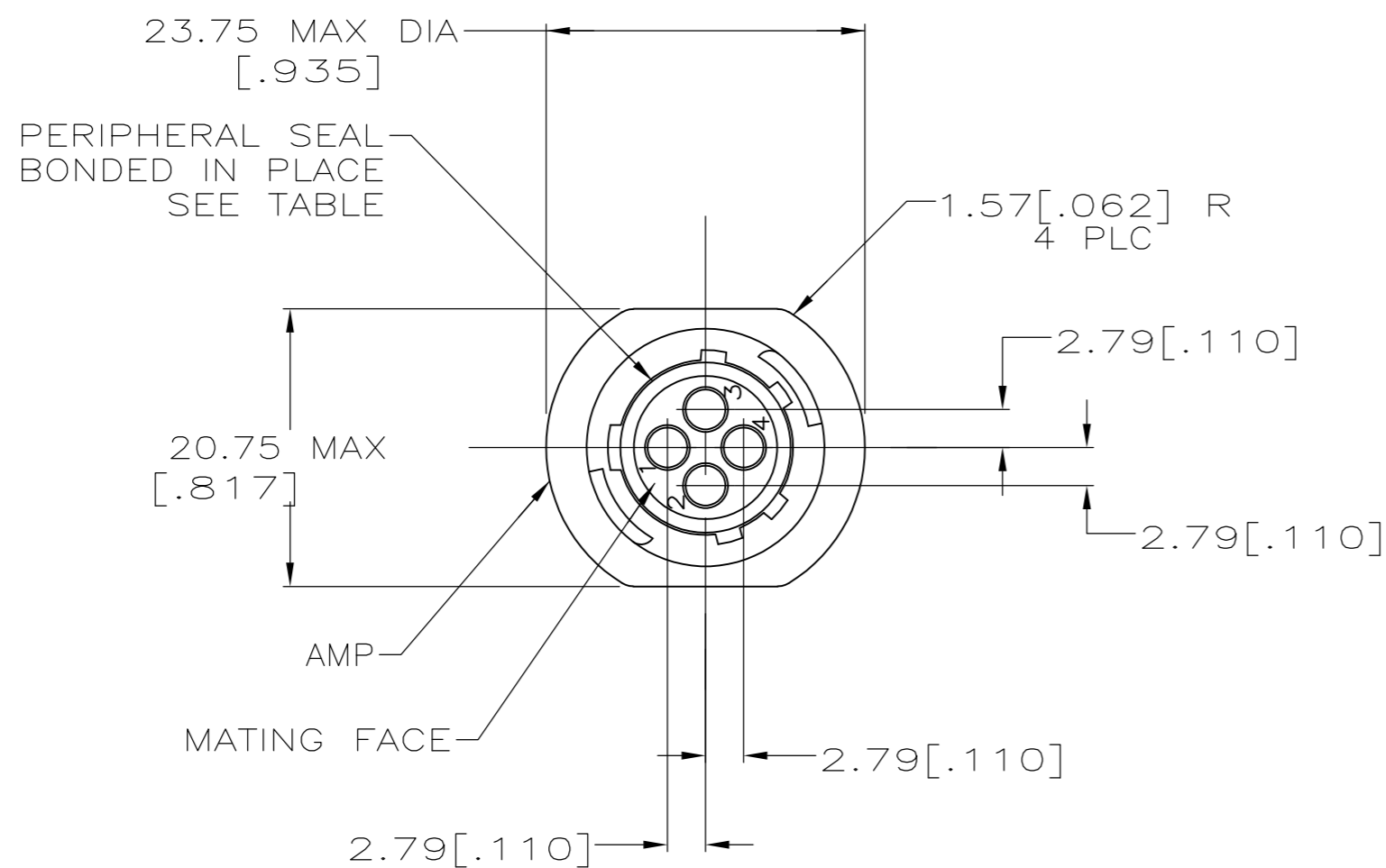


THIS DRAWING IS UNPUBLISHED. RELEASED FOR PUBLICATION
 © COPYRIGHT - By - ALL RIGHTS RESERVED.

LOC	DIST	REVISIONS			
P	LTR	DESCRIPTION	DATE	DWN	APVD
BD	35	G2	REVISED PER ECO-13-000918	17JAN13	KH MZ

- 1 CAVITY IDENTIFICATION ON FRONT AND REAR FACE.
- 2 RECEPTACLE WILL ACCEPT FOUR (4) MULTIMATE PIN CONTACTS.
- 3 206153-1 MOLDED INTO HOUSING ON THIS SURFACE, ORIENTATION OPTIONAL.



YES	206153-2
NO	206153-1
PERIPHERAL SEAL	PART NO

THIS DRAWING IS A CONTROLLED DOCUMENT.		DWN D.HARDY 05/18/94	TE TE Connectivity	
DIMENSIONS: MM [INCHES]		CHK R.STONE 05/20/94		
TOLERANCES UNLESS OTHERWISE SPECIFIED:		APVD A.FRANTUM 07/12/94	NAME RECEPTACLE HOUSING, STANDARD SEX, SHELL SIZE 11, CPC	
0 PLC ± -		PRODUCT SPEC 108-10024	SIZE CAGE CODE DRAWING NO RESTRICTED TO	
1 PLC ± -		APPLICATION SPEC	A2 00779 C=206153	
2 PLC ± 0.13 [.005]		WEIGHT -	SCALE 2:1 SHEET 1 of 1 REV G2	
3 PLC ± -		CUSTOMER DRAWING		
4 PLC ± -				
ANGLES ± -				
FINISH -				
MATERIAL NYLON, BLACK				