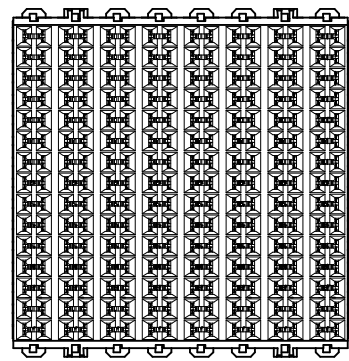
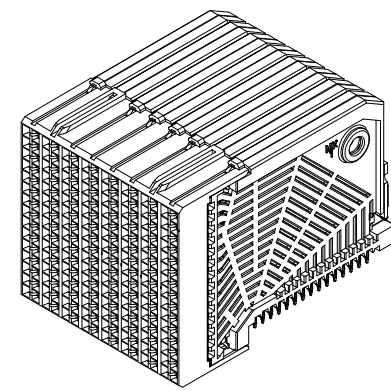


- NOTES:
1. MATERIALS: HOUSING - LIQUID CRYSTAL POLYMER (LCP)
GLASS-FILLED, UL 94V-0
TERMINALS - HIGH PERFORMANCE COPPER ALLOY
 2. FINISH: 10uIN MIN. GOLD (MAPS) OR 30uIN MIN. GOLD IN CONTACT AREA
SELECTIVE MATTE TIN
ON PCB TAILS. NICKEL OVERALL.
 3. REFER TO MOLEX PRODUCT SPEC PS-75710-999 FOR PERFORMANCE SPECIFICATIONS.
 4. PRODUCT IS PACKAGED PER PK-70873-608.
 5. THIS PART CONFORMS TO CLASS B REQUIREMENTS OF COSMETIC SPEC PS-45499-002.
 6. MAPS (MOLEX ADVANCED PLATING SYSTEM).



LEAD FREE CONVERSION EC NO: UCP2013-4288 DRWR:RWHIPPLE 2013/04/09 CHKD:HWOLFE 2013/04/09 APPR:SMILLER 2013/08/26	QUALITY SYMBOLS 	GENERAL TOLERANCES (UNLESS SPECIFIED)		DIMENSION STYLE MM ONLY	SCALE 2:1	DESIGN UNITS METRIC	THIRD ANGLE PROJECTION																			
		<table border="1"> <tr> <th></th> <th>mm</th> <th>INCH</th> </tr> <tr> <td>4 PLACES</td> <td>± .013</td> <td>± .0005</td> </tr> <tr> <td>3 PLACES</td> <td>± .013</td> <td>± .0005</td> </tr> <tr> <td>2 PLACES</td> <td>± 0.13</td> <td>± .005</td> </tr> <tr> <td>1 PLACE</td> <td>± 0.25</td> <td>± .010</td> </tr> <tr> <td>0 PLACE</td> <td>±</td> <td>±</td> </tr> </table>			mm	INCH	4 PLACES	± .013	± .0005	3 PLACES	± .013	± .0005	2 PLACES	± 0.13	± .005	1 PLACE	± 0.25	± .010	0 PLACE	±	±	DRAWN BY MCARRANZA	DATE 3/20/06	TITLE I-TRAC DAUGHTERCARD 15 ROW UNGUIDED SIGNAL MODULE		
			mm	INCH																						
		4 PLACES	± .013	± .0005																						
3 PLACES	± .013	± .0005																								
2 PLACES	± 0.13	± .005																								
1 PLACE	± 0.25	± .010																								
0 PLACE	±	±																								
CHECKED BY JLAURX		DATE 3/21/06	APPROVED BY JLAURX			DATE 3/21/06	MATERIAL NO. SEE CHART																			
APPROVED BY JLAURX		DATE 3/21/06	DOCUMENT NO. SD-76040-001			SHEET NO. 1 OF 2																				

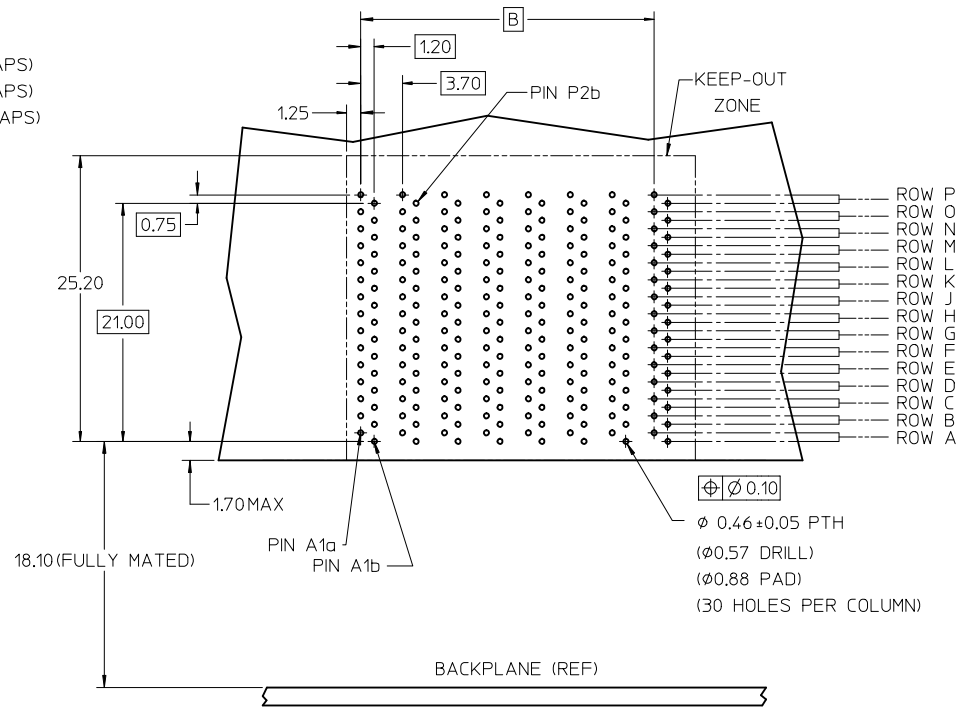
MATERIAL NUMBER	# OF COLUMNS	DIM. "A" MAX	DIM. "B"
76040-*0*8	8	29.60	25.90
76040-*0*9	9	33.30	29.60
76040-*0*0	10	37.00	33.30

76040-*0**

MODULE TYPE -- TAIL PLATING TYPE _____
 UNGUIDED -- MATTE TIN (FORMERLY TIN/LEAD) = 0
 UNGUIDED -- MATTE TIN = 1

POLARIZATION KEY ORIENTATION _____
 0 = NO KEY

OF COLUMNS/PLATING
 08 = 8 COL 30 GOLD
 09 = 9 COL 30 GOLD
 10 = 10 COL 30 GOLD
 48 = 8 COL 10 GOLD (MAPS)
 49 = 9 COL 10 GOLD (MAPS)
 40 = 10 COL 10 GOLD (MAPS)



DAUGHTERCARD HOLE PATTERN
(CONNECTOR SIDE)

SEE SHEET 1 EC NO: UCP2013-4288 DRAWN:RWHIPPLE 2013/04/09 CHKD:HWOLFE 2013/04/09 APPR:SMILLER 2013/08/26	QUALITY SYMBOLS	GENERAL TOLERANCES (UNLESS SPECIFIED)	DIMENSION STYLE MM ONLY	SCALE 2:1	DESIGN UNITS METRIC	THIRD ANGLE PROJECTION
	▽=0	4 PLACES ± --- ± ---	DRAWN BY DATE MCARRANZA 3/20/06	TITLE I-TRAC DAUGHTERCARD 15 ROW UNGUIDED SIGNAL MODULE	molex	SHEET NO. 2 OF 2
	▽=0	3 PLACES ± --- ± ---	CHECKED BY DATE JLAURX 3/21/06	DOCUMENT NO. SD-76040-001		
	▽=0	2 PLACES ± 0.13 ± ---	APPROVED BY DATE JLAURX 3/21/06			
	1 PLACE ± 0.25 ± ---	0 PLACE ± ±	ANGULAR ±1/2°	SIZE C		
		DRAFT WHERE APPLICABLE MUST REMAIN WITHIN DIMENSIONS				