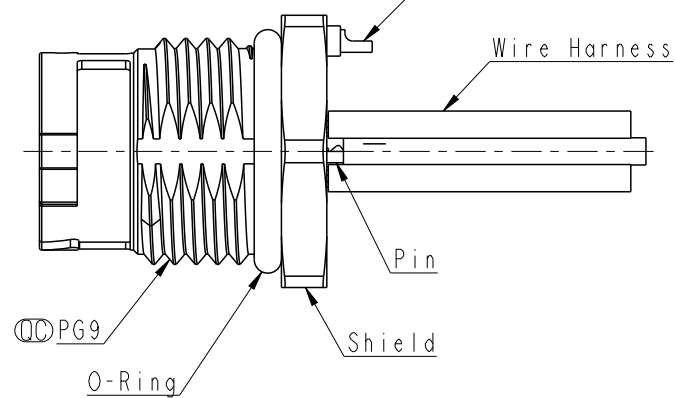
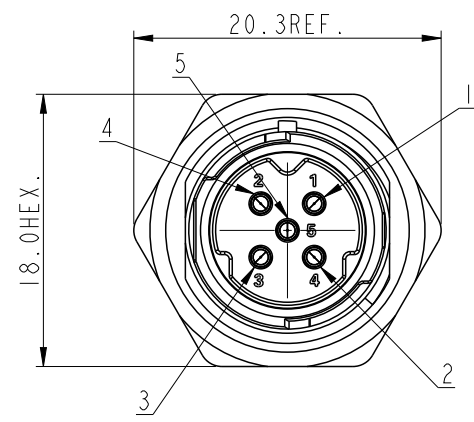
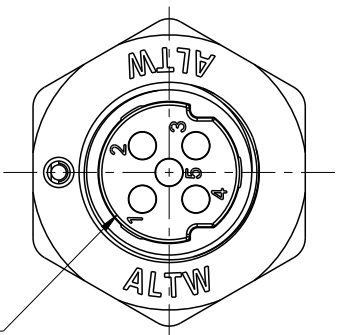
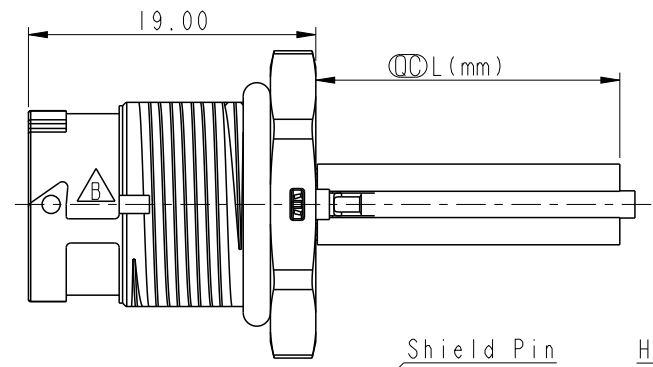
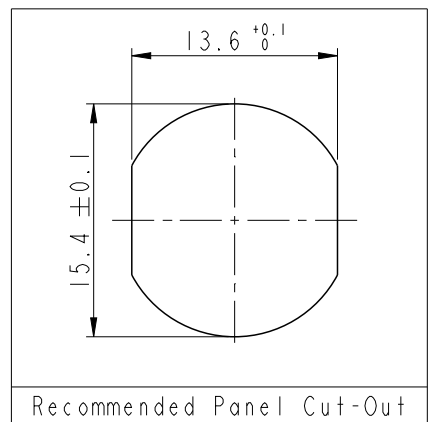
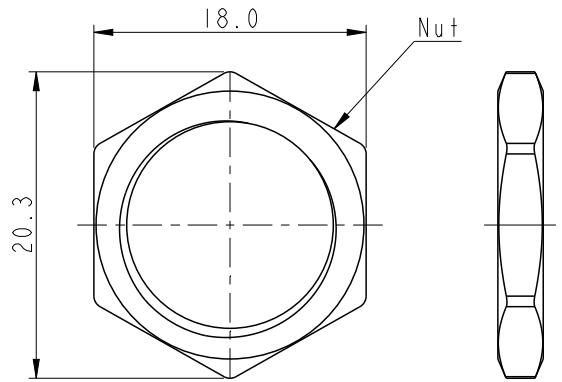


THIS DOCUMENT IS SUBJECT TO CHANGE WITHOUT NOTICE. IT IS CONFIDENTIAL AND A PROPERTY OF AMPHENOL LTW. DISCLOSURE TO THIRD PARTY HAS TO BE AUTHORIZED BY AMPHENOL LTW.

REV.	ECN NO.	DATE	SIGN	DESCRIPTION
A		2022-01-03	Sam Ho	Rev.02 to A, Initial Released
B	C220386	2022-03-29	Sam Ho	X2



- Note:
- * RoHS Compliant
 - * Important dimension
 - * Waterproof rate: IPX8, untested 1m/24h
 - * Housing: Thermoplastic, Black
 - * Pin: Copper alloy, Gold plated
 - * Shield Pin: Copper alloy, Gold plated
 - * Shield: Metal
 - * Nut: Metal
 - * O-Ring: Rubber, Black
 - * Wire harness: ULI430, 20#, ϕ 1.8.
 - * For panel thickness max: 4.5mm
 - * Nut is packed separately in pe bag
 - * Wire harness tolerance:
 - 100mm: \pm 10mm
 - 100mm < L \leq 300mm: \pm 15mm
 - 300mm < L \leq 1000mm: \pm 20mm
 - 1000mm < L \leq 1500mm: \pm 50mm



ASD-XXPMMS-QC8AXX

XX: L=10~150cm
 10: L=10cm
 15: L=15cm
 :
 A0: L=100cm
 A1: L=110cm
 :
 XX: No. Of Pin

UNIT: mm			TITLE XLOK, A SHLD-5A, FRONT FASTENED M, M, SOLDER, PUSH LOCK		
TOLERANCE \pm 0.50mm			SCALE 2:1	SIZE A4	SHEET 1 OF 2
REV. B	WC-REV.	: Inspection item			

Amphenol LTW
 安費諾亮泰企業股份有限公司

ITEM NO.	DRAWN BY Sam Ho	DATE 2021-09-15
DWG NO. ASD-XXPMMS-QC8AXX	CHECKED BY Fred Lee	DATE 2021-09-15
CUSTOMER ALTW	APPROVED BY Fred Lee	DATE 2021-09-15

THIS DOCUMENT IS SUBJECT TO CHANGE WITHOUT NOTICE. IT IS CONFIDENTIAL AND A PROPERTY OF Amphenol LTW. DISCLOSURE TO THIRD PARTY HAS TO BE AUTHORIZED BY Amphenol LTW.

1 2 3 4 5 6 7 8

F

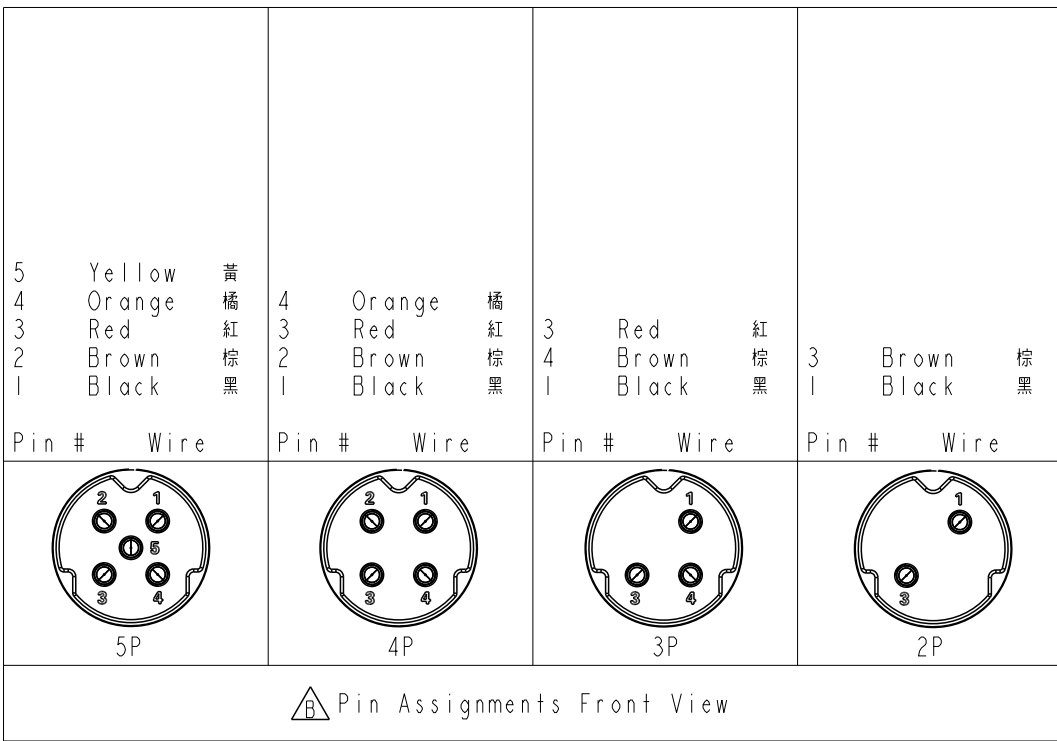
E

D

C

B

A



UNIT: mm

TOLERANCE
±0.50mm

TITLE
XLOK, A SHLD-5A, FRONT FASTENED
M, M, SOLDER, PUSH LOCK

SCALE 2:1 SIZE A4 SHEET 2 OF 2

REV. B WC-REV. .0 Inspection item

Amphenol LTW
安費諾亮泰企業股份有限公司

ITEM NO

DWG NO ASD-XXPMMS-QC8AXX

CUSTOMER ALTW

DRAWN BY Sam Ho

CHECKED BY Fred Lee

APPROVED BY Fred Lee

DATE 2021-09-15

DATE 2021-09-15

DATE 2021-09-15

1 2 3 4 5 6 7 8 W10814-03-001A2