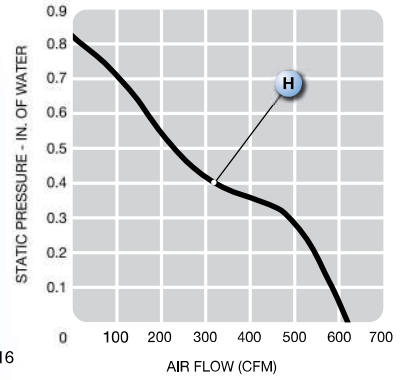
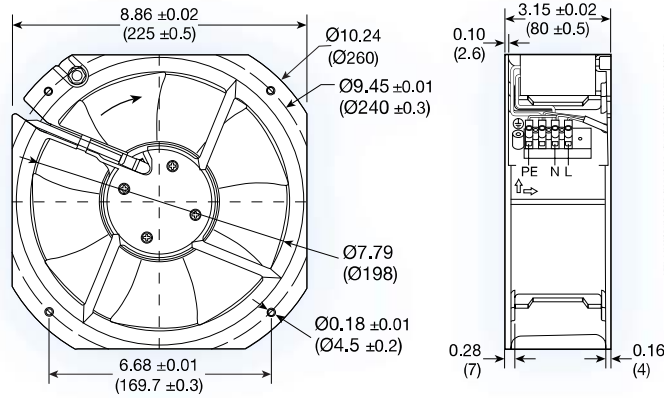


UF200BMB-H2 series

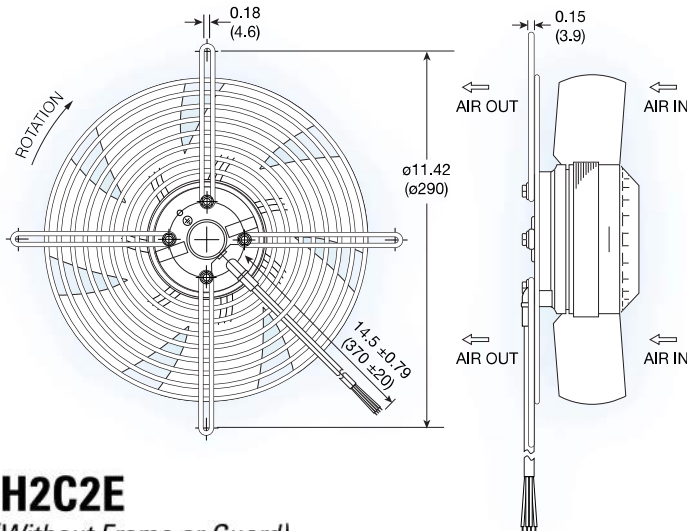


(225 x 225 x 80 mm)
 8.86 x 8.86 x 3.15 inches

- Features:** -20° ~ 70°C operating temperature range
- Operating voltage: 115 or 230 VAC
- Construction: metal frame and impeller
- Bearing option: ball bearing with high temp lubricant
- Motor: permanent split capacitor - Class F insulation
- Air Flow: exhaust over struts
- Connection: terminal
- Protection: thermal
- Option: tachometer output

Model No.	Rated Voltage V	Freq. HZ	Input Power W	Rated Cur. A	Locked Cur. A	Speed RPM	Air Volume		Max. Static Pressure (H ₂ O)		Sound Noise dBa	Weight kg
							M ³ /Min.	CFM	MM	INCH		
UF200BMB12-H2	115	60	100	0.88	1.31	3,000	17.7	625	20.5	0.81	61	1.40
UF200BMB23-H2	230	60	80	0.37	0.61	3,000	17.7	625	20.5	0.81	61	1.40

-H2C2B (With Guard/No Frame)



-H2C2E (Without Frame or Guard)

