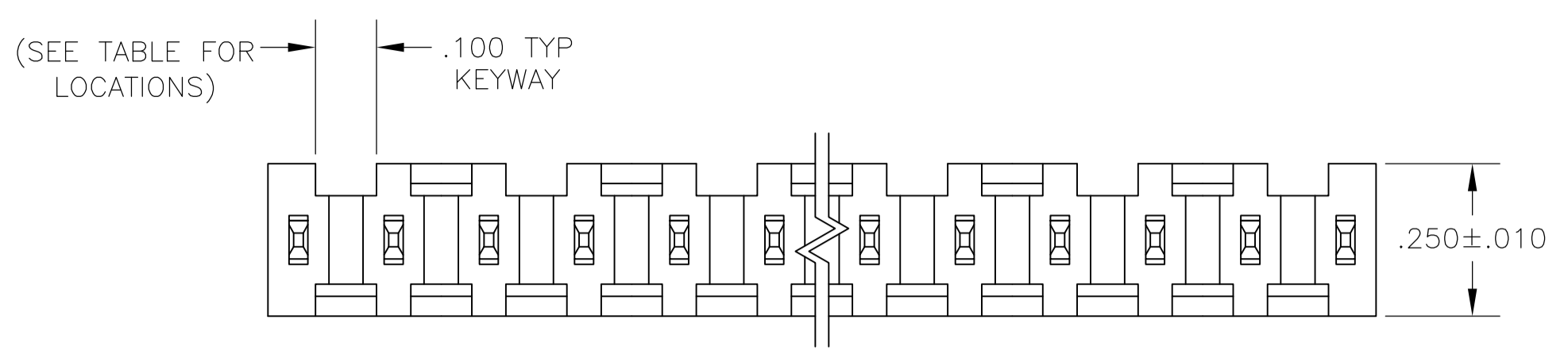
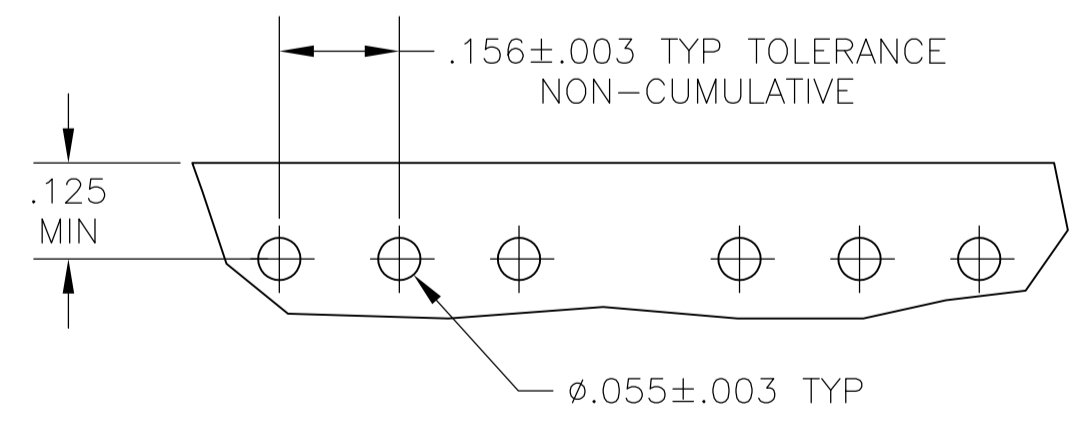
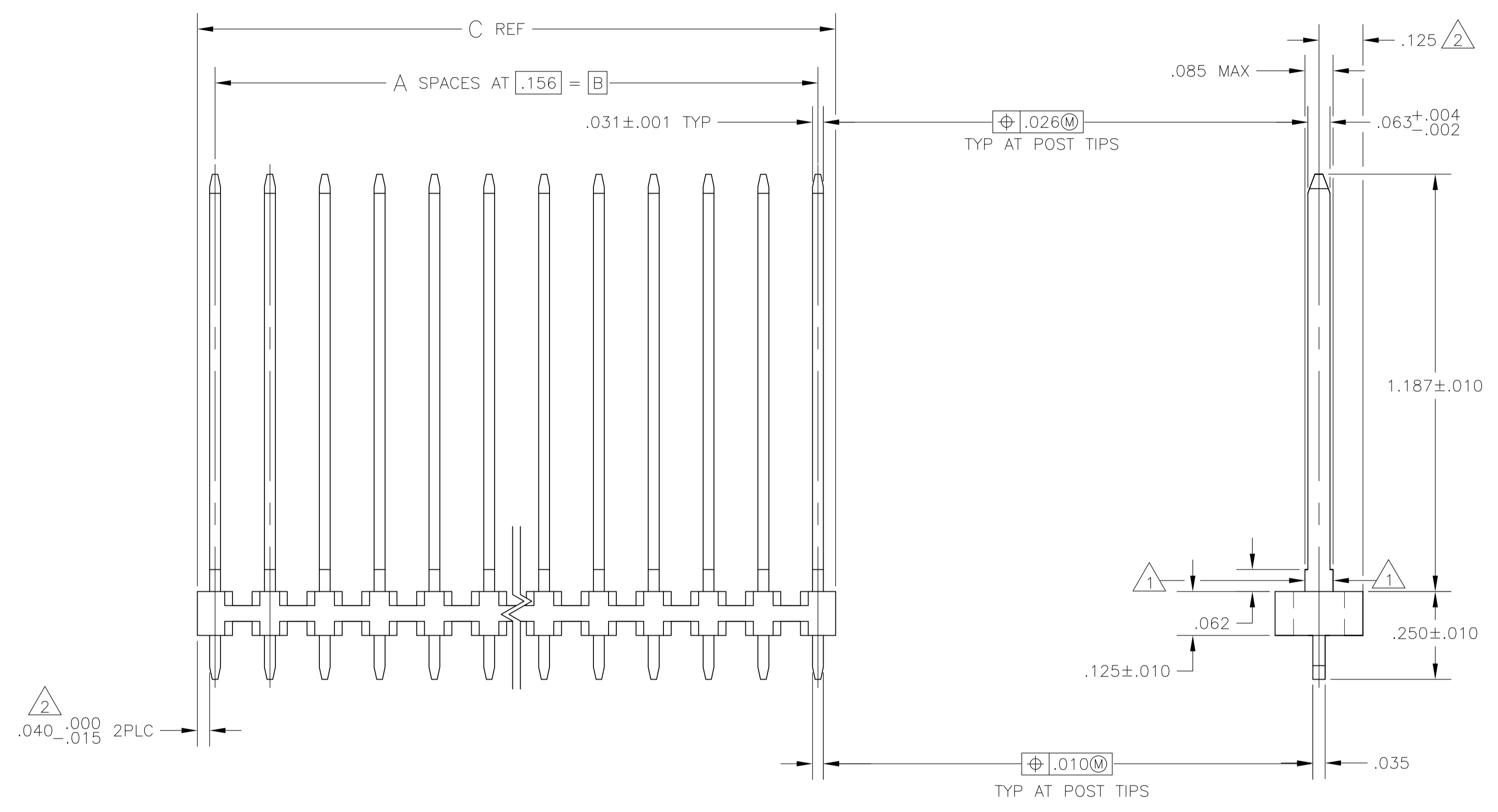


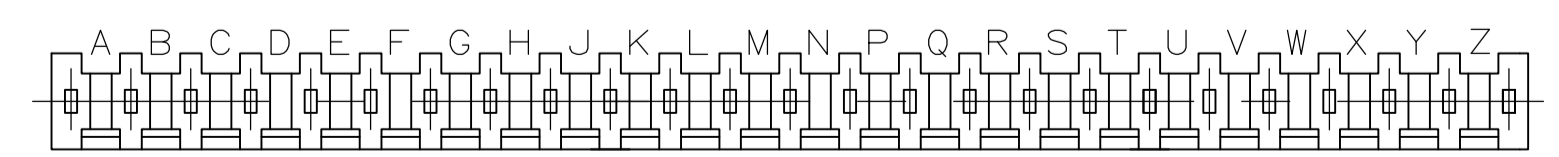
LOC		DIST		REVISIONS			
P	LTR	DESCRIPTION	DATE	DMN	APVD		
K1		REVISED PER ECO-08-017295	06NOV08	HMR	NE		
K2		REVISED PER ECO-09-020932	24AUG09	KK	AEG		



- 1 THESE SURFACES WILL NOT BE PLATED
- 2 THE NOTED DIMENSIONS APPLY AT THE INTERSECTION OF THE POST AND THE HOUSING
- 3 FINISH: POSTS: .000100 - .000200 TIN LEAD OVER .000030 MIN NICKEL
- 4 FINISH: POSTS: .000100 - .000200 MATTE TIN OVER .000030 MIN NICKEL
- 5 OBSOLETE PARTS: OBSOLETE CIS STREAMLINING PER D.RENAUD/D.SINISI



RECOMMENDED HOLE LAYOUT



KEYWAY LOCATIONS (REF-SEE TABLE)
 (MATING LENGTH OF POST ON NEAR SIDE)
 SCALE: 2:1

FINISH	KEYWAY LOCATIONS	NO OF KEYWAY	C	B	A	NO OF POSN	ASSEMBLY PART NUMBER
	A,C	2	.579	.468	3	4	5-86207-9
	A,D	2	.735	.624	4	5	5-86207-3
	A	1	.423	.312	2	3	5-86207-2
OBSOLETE	A,C,E	3	1.047	.936	6	7	1-87207-0
	A,C	2	.579	.468	3	4	87207-9
OBSOLETE	A	1	.267	.156	1	2	87207-8
OBSOLETE	NONE	0	5.415	5.304	34	35	87207-7
OBSOLETE	A,D,G	3	1.359	1.248	8	9	87207-6
OBSOLETE	A,C,E,G	4	1.203	1.092	7	8	86207-5
OBSOLETE	A,C,E	3	.891	.780	5	6	87207-4
OBSOLETE	A,D	2	.735	.624	4	5	86207-3
OBSOLETE	A	1	.423	.312	2	3	86207-2
OBSOLETE	A,C,E,G,J	5	1.515	1.404	9	10	86207-1

THIS DRAWING IS A CONTROLLED DOCUMENT.

DIN H. MOLL 11MAR88
 CHK F. TREECE 23MAR88
 APVD F. TREECE 23MAR88

Tyco Electronics Corporation
 Harrisburg, PA 17105-3608

PRODUCT SPEC: 108-25016
 APPLICATION SPEC: 108-25016

SIZE: A1
 WEIGHT: --
 CUSTOMER DRAWING

SCALE: 4:1
 SHEET: 1 OF 1
 REV: K2